












# ASSEMBLY INSTRUCTION INSTRUCCIONES

2630SET-GY(COUNTER HEIGHT TABLE)  
2630SET-GY(MESA ALTA DE MOSTRADOR)

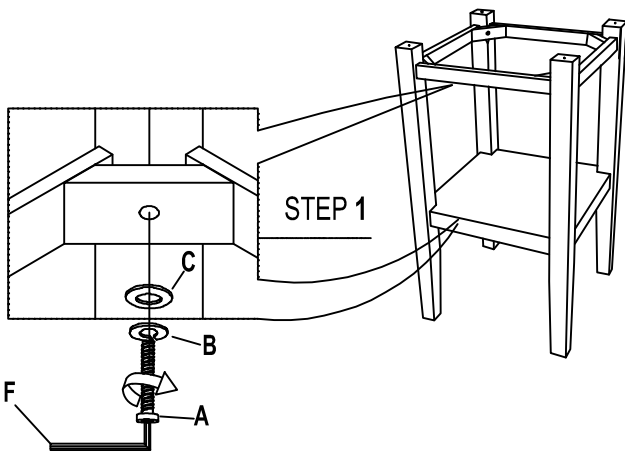
## HARDWARE LIST (JUEG DE HERRAMIENTAS)

A	SHORT BOLT $\varnothing$ 1/4" X 20 X 1-15/16"		12 pcs
B	LOCK WASHER $\varnothing$ 5/16"X 1/2"		12 pcs
C	FLAT WASHER $\varnothing$ 1/4"X 3/4"		28 pcs
D	DOWEL		2 pcs
E	SCREW 1 - 3/16"		16 pcs
F	ALLEN KEY		1 pc

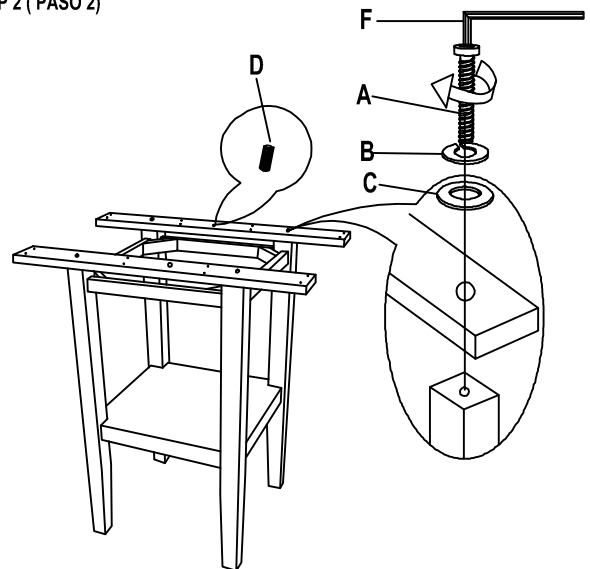
## PARTS KYE / LIST DE PARTES

1		TABLE TOP	1 pc
2		MIDDLE SHELF	1 pc
3		APRON	1 pc
4		LEG	4 pcs
5		CONNECT BOARD	2 pcs

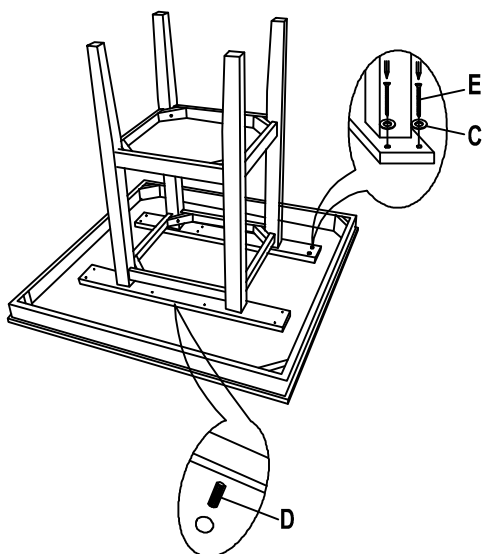
### STEP 1 (PASO 1)



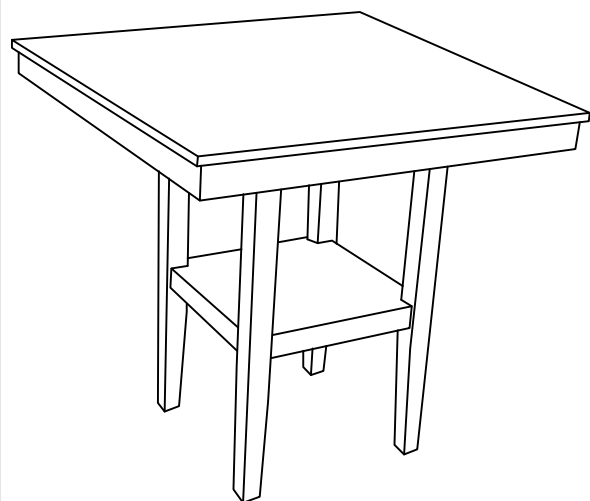
### STEP 2 (PASO 2)



### STEP 3 (PASO 3)



### FINISH (FIN)

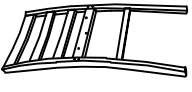


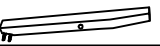





**DO NOT TIGHTEN ALL BOLTS UNTIL COMPLETELY ASSEMBLED**  
**NO APRETER LOS TORNILLOS HASTA ARMAR COMPLETAMENTE**


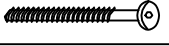








# ASSEMBLY INSTRUCTION INSTRUCCIONES

**2630SET(COUNTER HEIGHT CHAIR)**  
**2630SET(SILLA ALTA DE MOSTRADOR)**

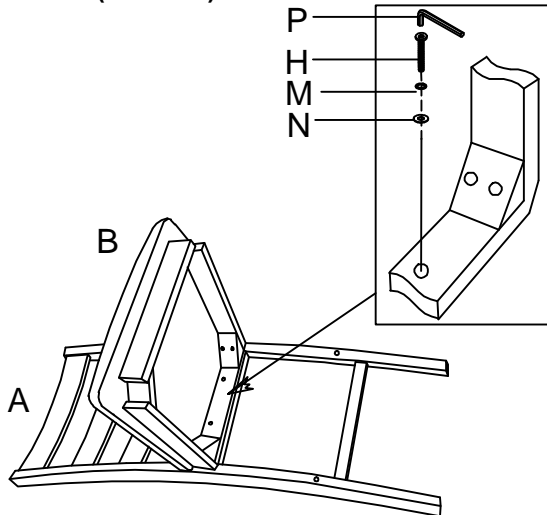
## PARTS KYE/LIST DE PARTES

A		CHAIR BACK	1PC
B		SEAT FRAME WITH SEAT CUSHION	1PC
C		RIGHT LEG	1PC
D		LEFT LEG	1PC
E		LEFT SIDE STRETCHER	1PC
F		RIGHT SIDE STRETCHER	1PC
G		FRONT STRETCHER	1PC

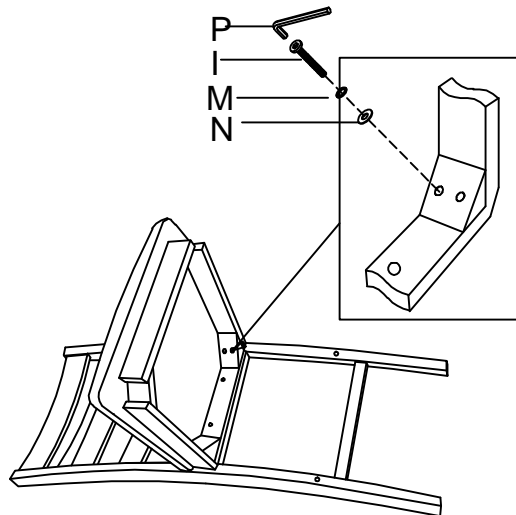
## HARDWARE LIST (JUEG DE HERRAMIENTAS)

H	SHORT BOLT 1/4"*20*1-1/2" (chair back center)		2PCS
I	LONG BOLT 1/4"*20*3-1/8" (chair back leg center)		4PCS
J	HEX NUT 5/16"*1/2"		4PCS
K	LOCK WASHER 5/16"*13mm		4PCS
L	FLAT WASHER 5/16"*19mm		4PCS
M	LOCK WASHER 1/4"*13mm		6PCS
N	FLAT WASHER 1/4"*19mm		6PCS
O	SCREW 45mm		6PCS
P	ALLEN KEY		1PC
Q	WRENCH		1PC

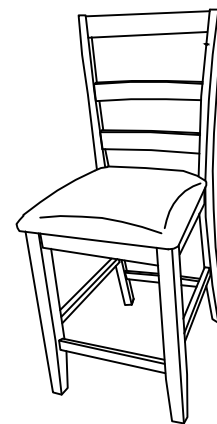
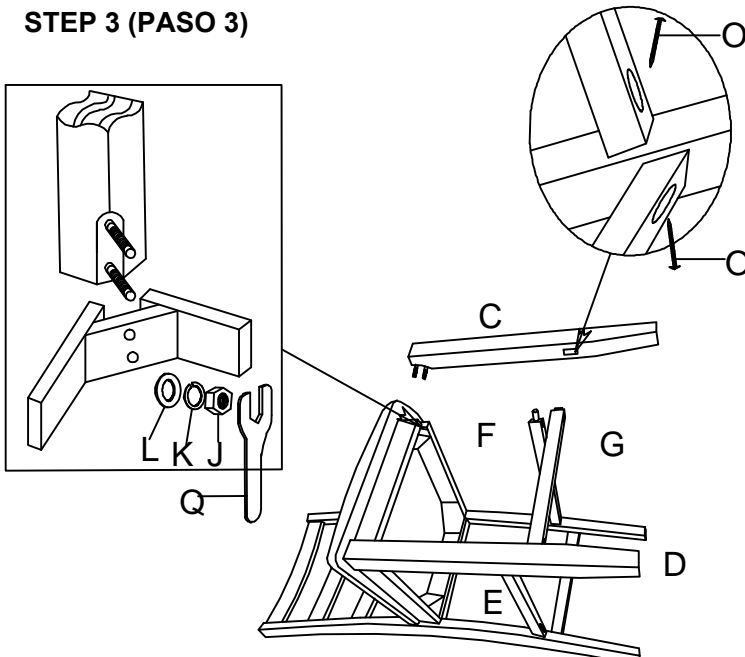
### STEP 1 (PASO 1)



### STEP 2 (PASO 2)



### STEP 3 (PASO 3)



**DO NOT TIGHTEN ALL BOLTS UNTIL COMPLETELY ASSEMBLED**  
**NO APRETER LOS TORNILLOS HASTA ARMAR COMPLETAMENTE**