



LIVING SPACES

**HAYES OUTDOOR BANQUETTE SECTIONAL**  
**17C212A-W-RS-3D-1**  
**253553**

**Assembly Instruction**

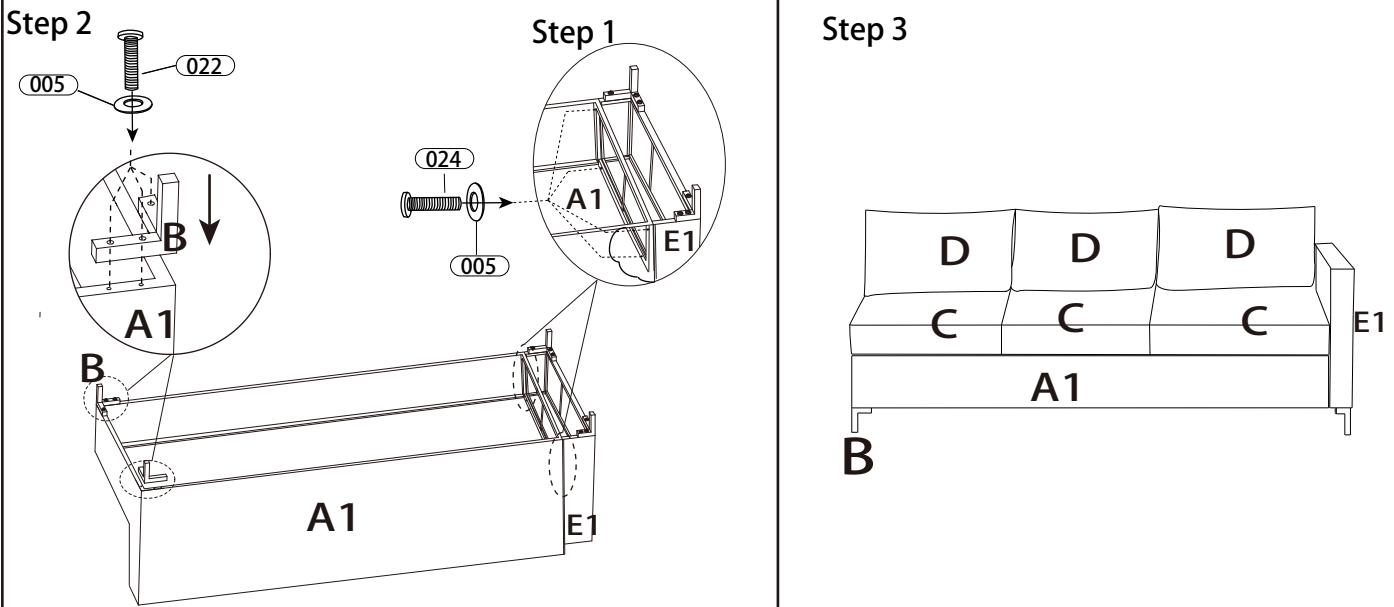
**Parts List:**

REF	DESCRIPTION	IMAGE	QTY
A1	SEAT(RIGHT)		1
B	LEG		2
C	CUSHION		3
D	BACK PAD		3
E1	ARMREST		1

**Hardware List:**

REF	DESCRIPTION	IMAGE	QTY
022	BOLT(M6*35L)		6
024	BOLT(M6*45L)		4
005	WASHER (M6,IDΦ6.5,ODΦ16)		10
001	ALLEN WRENCH (M6)		1

**Diagram:**



**Assembly Steps:**

**Tip-** Remove protective wrapping and lay all parts on floor. Identify all parts packed in Carton against attached parts list to make sure all parts are presented.

**Step 1:** Place a protective soft material on floor. Lay seat (A1) and armrest (E1) upside down on floor, the bottom is facing up. Fasten seat (A1) and armrest (E1) together as shown in Diagram, using Bolt (024) and washer (005).

**Step 2:** Then attach leg (B) to the bottom as shown in diagram, using bolt (022) and washer (005).

**Step 3:** After all bolts are aligned properly before tightening. With a second person's assistance carefully turn the chair over onto its legs. Make sure legs rest on a flat surface. Put the seat cushion and back cushion on the sofa.

**NOTE:** IT IS USER'S RESPONSIBILITY TO MAKE SURE ALL PARTS ARE ASSEMBLED AND TIGHTENED PROPERLY AND SECURELY.



LIVING SPACES

**HAYES OUTDOOR BANQUETTE SECTIONAL**  
**17C212A-W-LS-3D-1**  
**253553**

**Assembly Instruction**

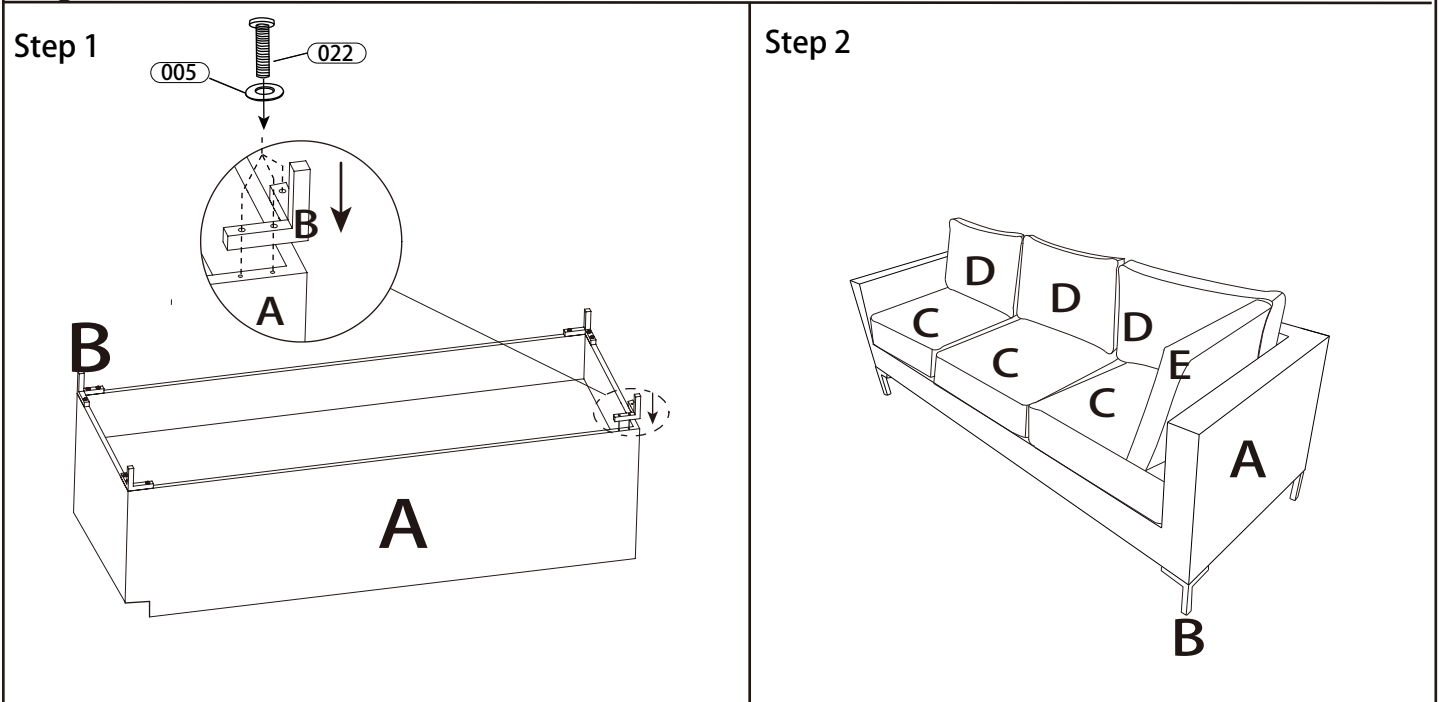
**Parts List:**

REF	DESCRIPTION	IMAGE	QTY
A	SEAT(LEFT)		1
B	LEG		4
C	CUSHION		3
D	BACK PAD		3
E	ARMREST PAD		1

**Hardware List:**

REF	DESCRIPTION	IMAGE	QTY
022	BOLT(M6*35L)		12
005	WASHER (M6,IDΦ6.5,ODΦ16)		12
001	ALLEN WRENCH (M6)		1

**Diagram:**



**Assembly Steps:**

**Tip-** Remove protective wrapping and lay all parts on floor. Identify all parts packed in Carton against attached parts list to make sure all parts are presented.


**Step 1:** Place a protective soft material on floor. Lay seat (A) upside down on floor, the bottom is facing up. Then attach leg (B) to the bottom as shown in diagram, using bolt (022) and washer(005).

**Step 2:** After all bolts are aligned properly before tightening. With a second person's assistance carefully turn the chair over onto its legs. Make sure legs rest on a flat surface. Put the seat cushion and back cushion on the sofa.

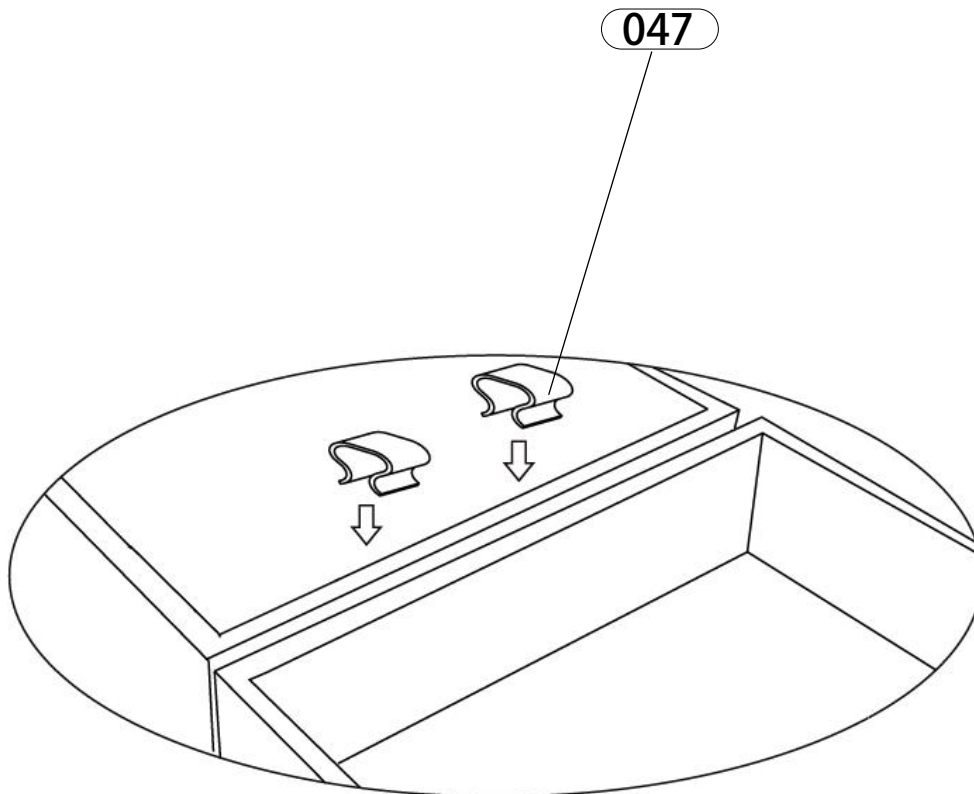
**NOTE:** IT IS USER'S RESPONSIBILITY TO MAKE SURE ALL PARTS ARE ASSEMBLED AND TIGHTENED PROPERLY AND SECURELY.

## Assembly Instruction

### Hardware List:

REF	DESCRIPTION	IMAGE	QTY
047	U-CLIP		2

### Diagram:



### Assembly Steps:

Step 1: Remove protective wrapping and lay all parts on floor.

Step 2: Place a protective soft Material on the floor, it's better to lift the each collection which need to be connected with another person's help.

Step 3: Connect the each collection with u-clips .