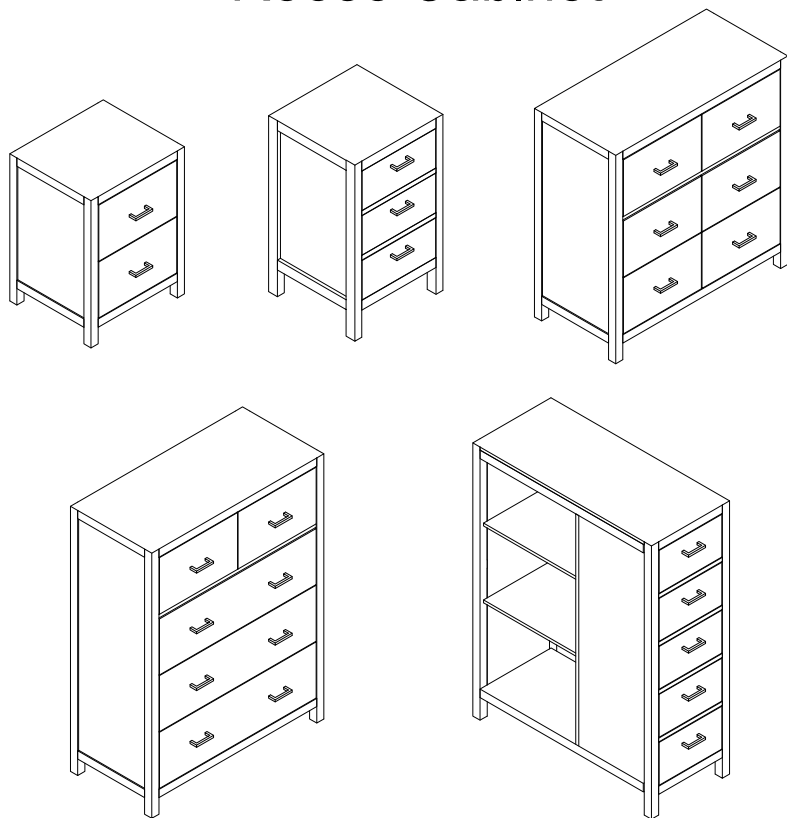




LIVING SPACES

## Reese Cabinet



**SP-1501, SP-1502, SP-1503,  
SP-1508-P3, SP-1508-P4**

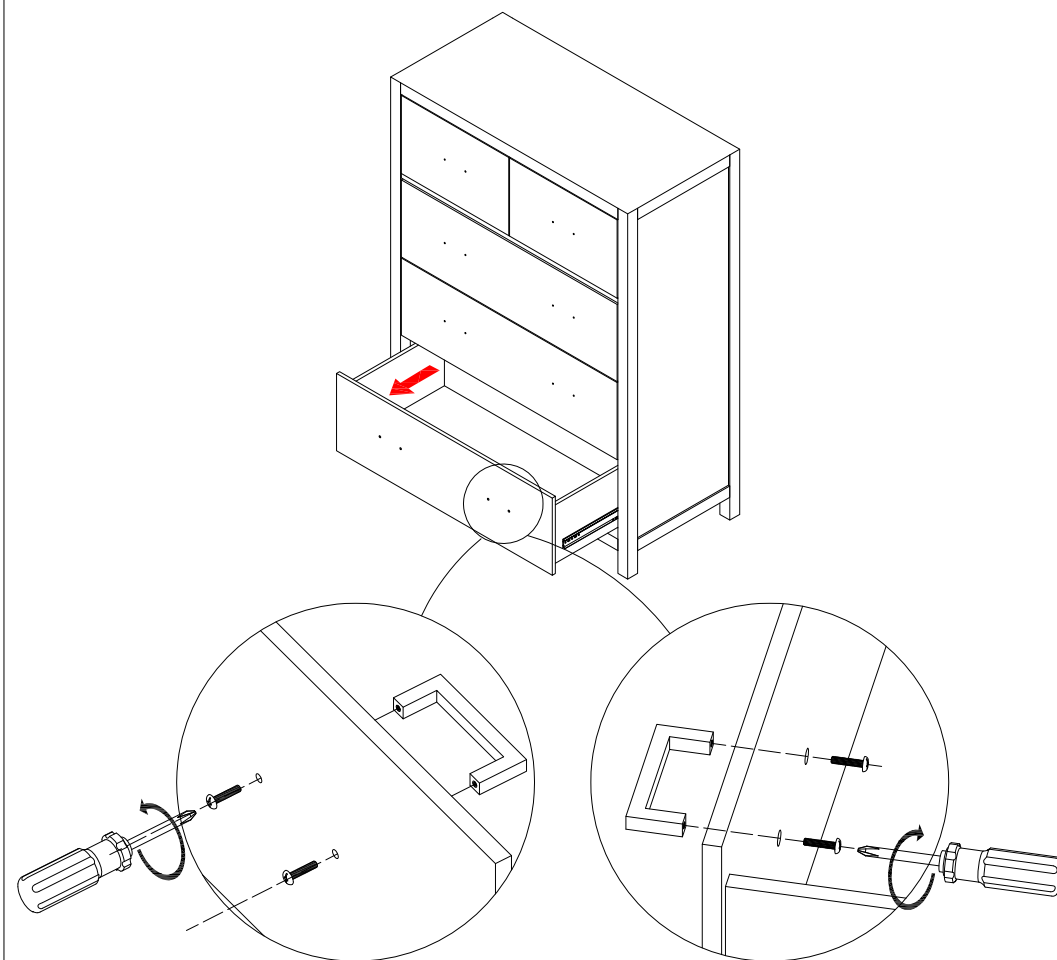
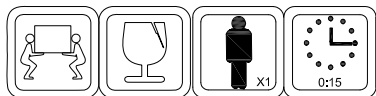


FIGURE 1

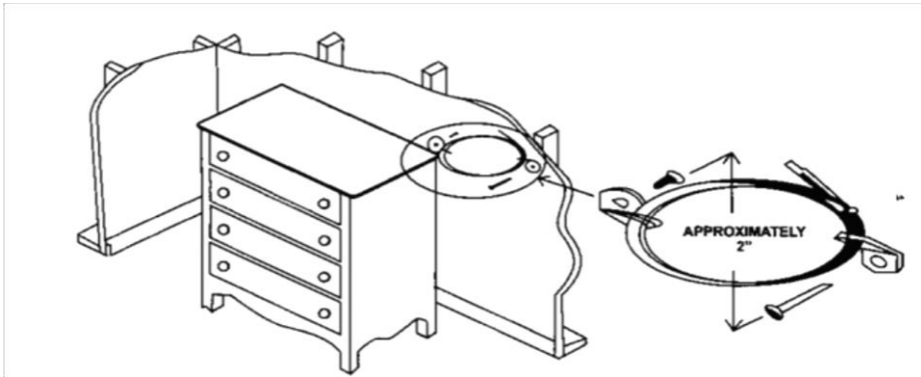
FIGURE 2

Step 1: Pull out drawer to unscrew the handle which is pre-attached inside drawer face as shown in figure 1.

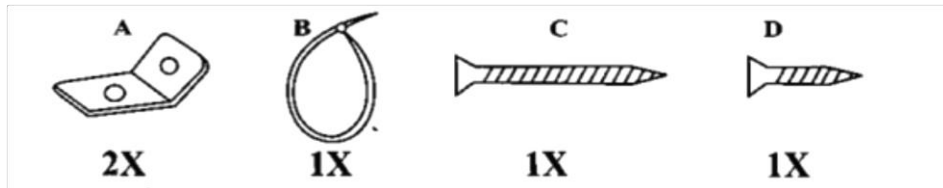
Step 2: Turn inside out the handle and using screw driver to tighten the handle as shown in figure 2 to complete.

\*Note: Repeat the same steps for the rest of drawers. Please do not open all drawers at the same time to avoid from tipping over.

# Anti-Tip Kit Assembly Instructions



Parts Enclosed



## Installation Instructions:

This tip restraint must be attached to a wall stud using the 2" screw enclosed.

1. Attach a bracket securely to the back top rail of the furniture using the 5/8" screw provided, through the smaller hole.
2. Locate the other bracket on the wall over a wall stud and 2 inches below the mounting bracket secured to the back of your unit. Attach to the wall stud using the 2" screw provided, through the smaller hole.
3. Place the furniture into position so both mounting brackets are vertically in line.
4. Lace the end of the restraint strap through the larger hole in each mounting bracket. Bring both ends together and slide the flat end through the locking end and draw it through until all slack is removed.
5. Confirm that the strap is securely laced and locked.

**Only for product over 27 inches in height.**