



LIVING SPACES

MALAGA OUTDOOR COUNTERSTOOL

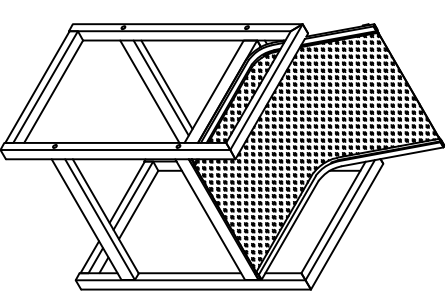
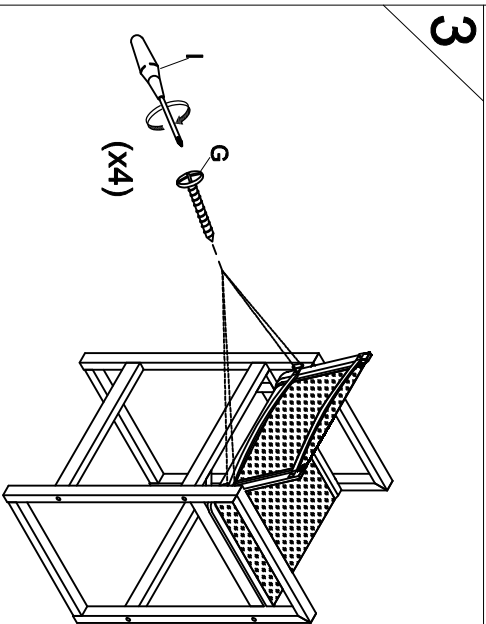
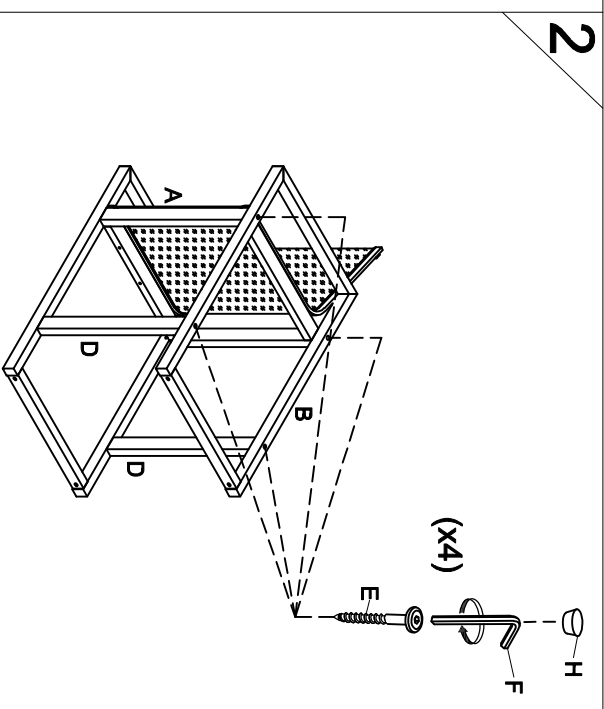
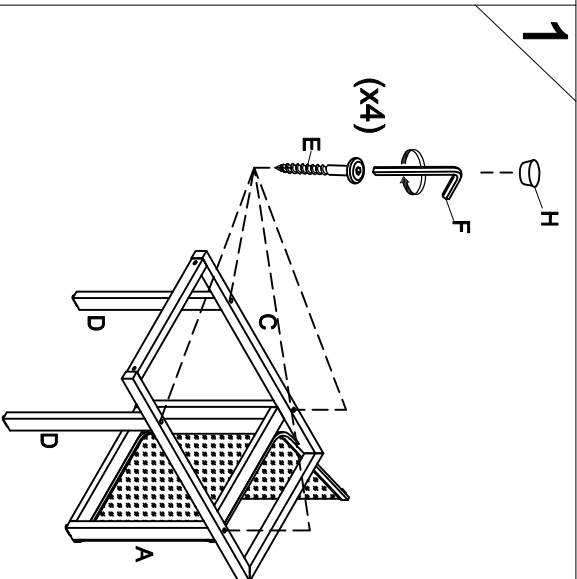
OC09409

Assembly instructions:

PARTS LIST			
No.	DESCRIPTION	IMAGE	QTY
A	SEAT - FRAME		1
B	LEG FRAME (RIGHT)		1
C	LEG FRAME (LEFT)		1
D	STRETCHER		2
E	SCREW M6x80		8
F	ALLEN KEY M4		1
G	SCREW M4x30		4
H	WOOD PLUG		8
I	SCREW DRIVER		not provided

NOTE: PO# is located underneath/ at the back panel of each item. Please be prepared to provide this # should any claim be necessary.

CAUTION: Item is heavy. Assembly should be performed by two people.



ASSEMBLED COMPLETE

Care Instruction

Eucalyptus wood



CONSTRUCTIONS

This quality piece of furniture is made from FSC Eucalyptus. This wood comes from well managed forests. With regular maintenance you will enjoy it for years to come. Some simple steps will enable you to preserve the full beauty of the timbers.

CARE AND MAINTENANCE

The amount of care required for your timber outdoor setting is directly related to the amount of exposure to the weather. Your timber furniture has been pre oiled in the factory but we highly recommend that it should not be left to weather – once exposed to the elements for even a few months without protection your timber may develop cracks, checks (small surface cracks) as well as lose colour.

Below application periods are meant as a guide only

In fully protected environment, we recommend a clear timber oil coating two or three times a year.

In situations of full exposure to the weather we recommend you use oil with in-built UV protection, re-coating every three months.

In periods of extreme weather conditions (high levels of rain or increased hours of sun), it is recommended that you increase the maintenance. We also recommend using covers on your furniture when it is not in use or during extreme weather conditions.

PROTECTING

To protect your timber furniture, we recommend that during the winter period-and when not in use your store the furniture in a sheltered area or place or use a water proof cover you furniture for protection. Don't put your furniture in water logged areas of your garden.

WARRANTY EXCLUSIONS

Warranty does not cover

- Fading due to weather exposure
- Damage to the furniture through accident misuse, shipping and unreasonable handling or failure to provide proper care and maintenance for the products,