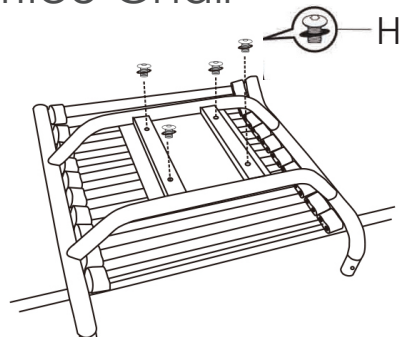


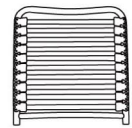
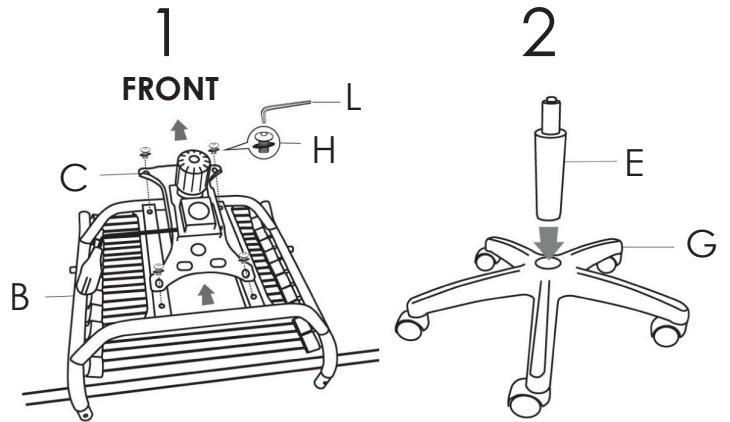
# euø style™

## Assembly Instructions

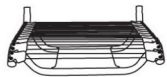
### BRADLEY Bungie Office Chair



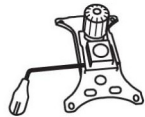
**IMPORTANT NOTE:** Screws and washers (Parts H) are preassembled into the underside of the seat (Part B). Remove screws and washers from seat and then use to attach Part C to Part B, as shown in step 1.



A (1 pc)



B (1 pc)



C (1 pc)



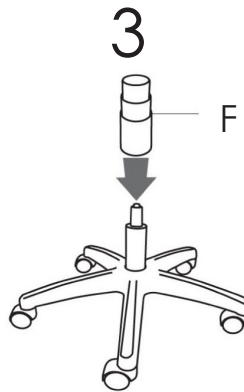
D (2 pcs)



E (1 pc)



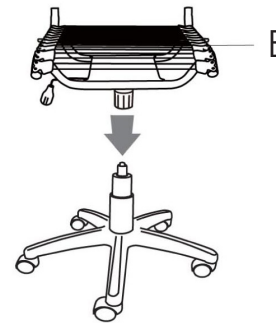
F (1 pc)



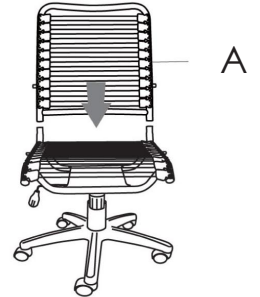
3

4

5



4



5



G (1 pc)



H (4 pcs)  
M8 x 14mm



I (2 pcs)  
1/4" x 5/8"



J (4 pcs)  
M8 x 30mm



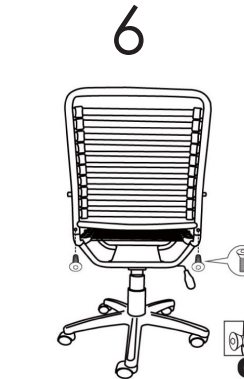
K (4 pcs)



L (1 pc)  
5mm



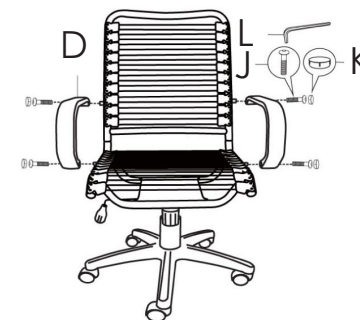
M (1 pc)  
4mm



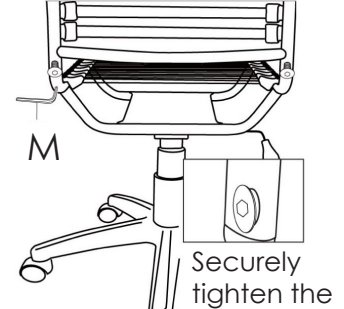
6

7

8



7



8

Securely tighten the

PLEASE NOTE: Check that you have received all components and hardware before assembling. If you are missing any parts, contact your retailer, or fax Eurø Style at 415.455.8033 or email: cs@gotoeurostyle.com.

During assembly, hand tighten screws only. When the screws are in place, tighten completely.