

Platform Bed Instructions: 53298N & 53299N

Components of Bed:

- Headboard
- Footboard
- Plywood Decks | Queen - 4 | King/Cal-King - 5
- 5 slats
- 10 Adjustable Posts
- 2 Side Rails
- 20 Phillips head screws

Tools Required:

- Phillips Head Screwdriver (Power Screwdriver recommended)
- 1/2" Wrench

Step 1: Attach Rails to Headboard and Footboard

- Slide rail bracket (**Figure 1**) over bolts (**Figure 2**), then tighten bolts with 1/2" wrench.
- Note: Top of bed rail to cleat is 2"

Note: Bolts may be covered with rubber cap; these should be discarded prior to assembly.

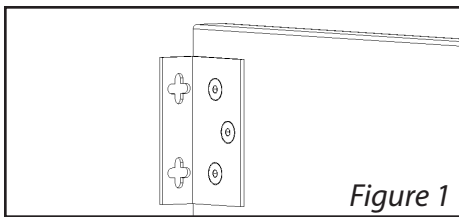


Figure 1

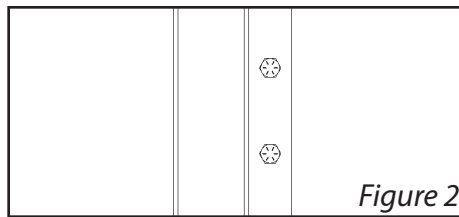
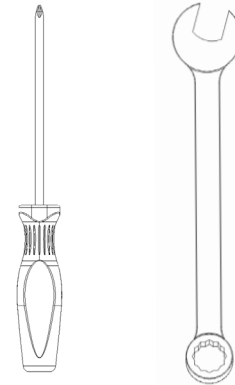


Figure 2



Step 2: Attach Slats to Bed Rails

Twist post counterclockwise into underside of slat - inserted nut.

Align the slats with the starter holes on the side rail cleats. (**Figure 3**)

Secure slats using the Phillips head screws. (**Figure 4**)

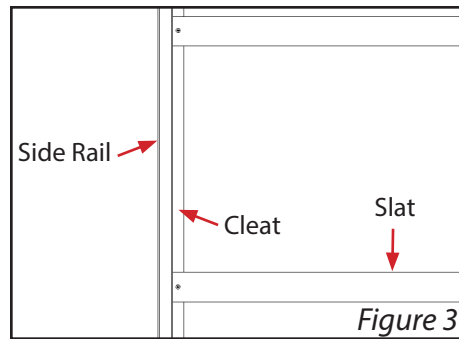
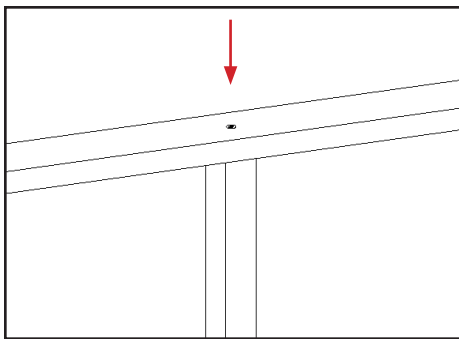


Figure 3

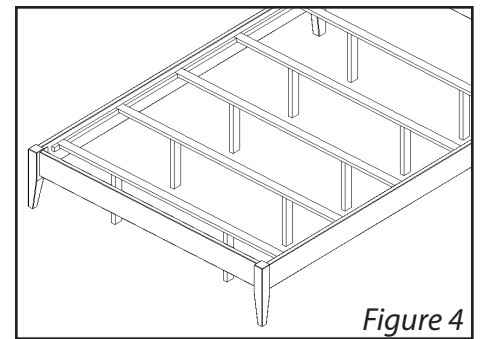


Figure 4

Step 3: Plywood platforms in separate carton

Screw down platform into slats closest to footboard and headboard. Leave a 1/8" gap between each plywood panel.

