

Chest Bed Instructions

Components of Bed:

- Headboard/Footboard
- Spacer Kit
- 2 Pedastals
- 8 Pan Head Screws & Washers
- 8 - 1 ¼" flat head wood screws

Step 1: Initial Pedastal Setup

- Place pedastals side by side in the area where the bed will be located. Remove drawers closest to the headboard and footboard. Number each so they can correspond with the specific opening (**blank pedastals only, remove top - fig. 2**)

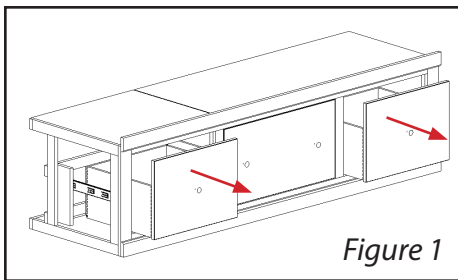


Figure 1

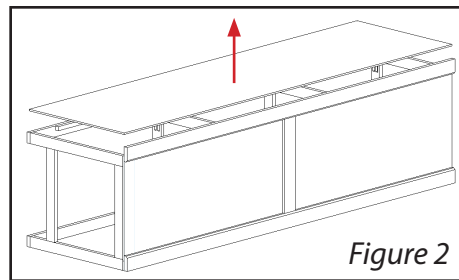


Figure 2

Tools Required:

- Phillips Head Screwdriver (Power Screwdriver recommended)



Step 2: Spacer Kit

- Lay spacer board flat on top of cleats (on backside of pedastal). Attach with 8 - 1 ¼" flat head wood screws (fig. 3) - (twin beds do not have spacer kits)

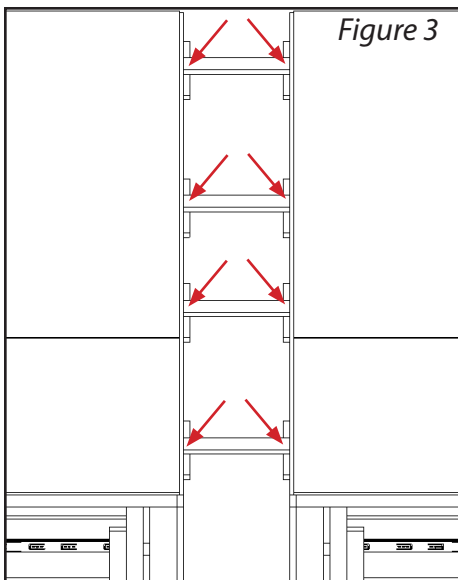


Figure 3

Step 3: Headboard & Footboard

- Align headboard with pedastals. Attach headboard by screwing 4 pan head machine screws with washers into the metal inserts located on the headboard posts. (fig. 4).
- Align footboard with pedastals. Attach footboard by screwing 4 pan head machine screws with washers into the metal inserts located on the footboard posts (fig. 4).

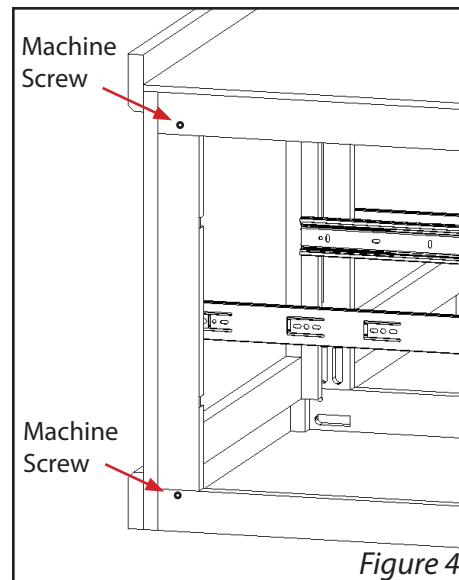


Figure 4

Step 4: Complete

- If assembling a bed with blank pedestal replace top now.
- Place drawers back in the cabinet in the same location they were originally located.

Important:

When assembling headboard or footboard to pedastals with included screws and washers, do not tighten screws completely until all four have been started. Once all four screws are engaged into metal inserts tighten each screw while holding the headboard or footboard tight to the bed.