

MALAGA II OUTDOOR DINING TABLE

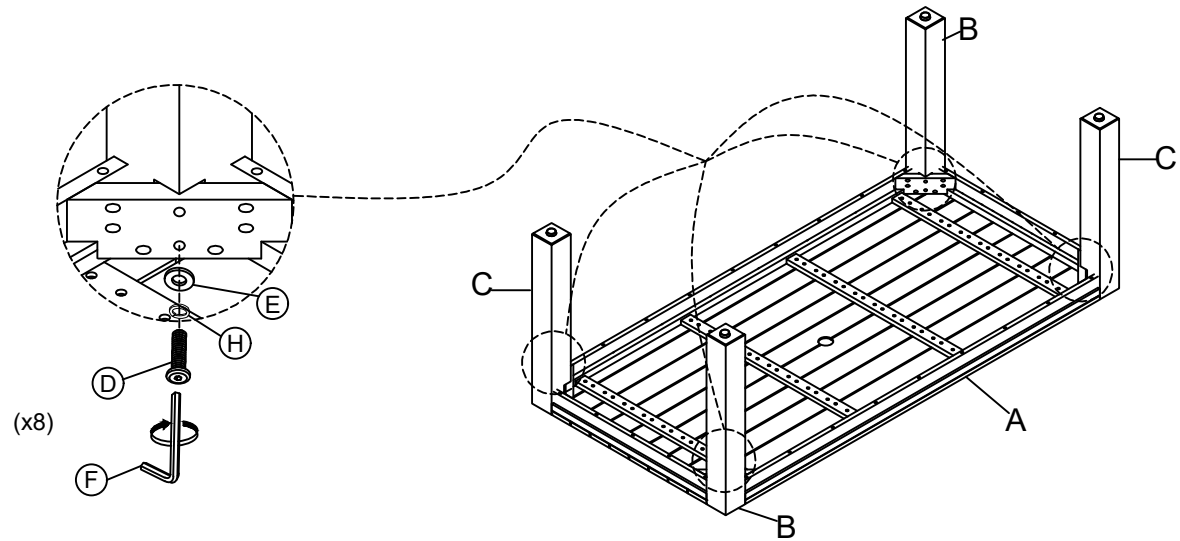
MKE280621-O09

Assembly instructions:

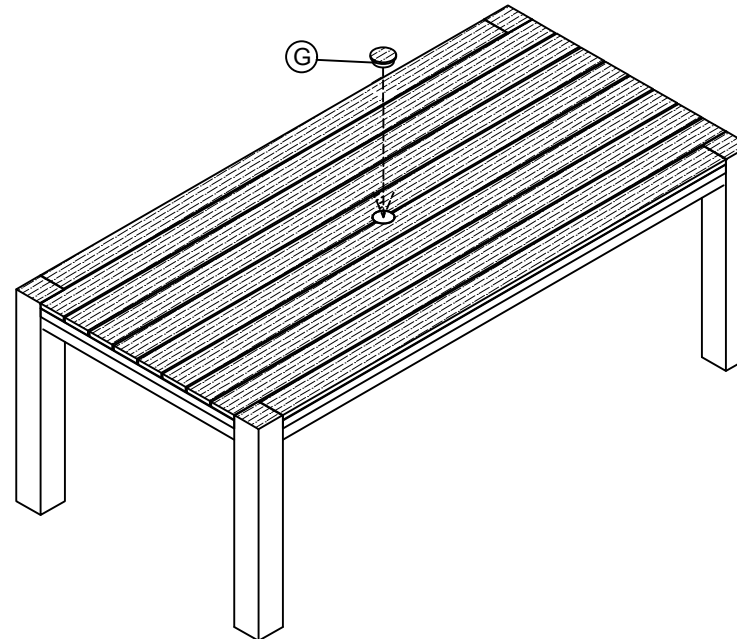
PARTS LIST

No.	DESCRIPTION	IMAGE	QTY
A	TABLE TOP		1
B	LEG - LEFT		2
C	LEG - RIGHT		2
D	BOLT M8X60		8
E	FLAT WASHER M8/Ø18		8
F	ALLEN KEY M4		1
G	PARASOL CAP		1
H	SPRING WASHER M8		8

1



2



NOTE: PO# is located underneath/ at the back panel of each item. Please be prepared to provide this # should any claim be necessary.

CAUTION: Item is heavy. Assembly should be performed by two people.

ASSEMBLED COMPLETE