

Instruction Sheet for Modular Group 2197

1. Ensure a suitable location has been selected for your modular before beginning assembly
2. To locate the wooden legs and metal castors, access the black dust cover on the underside of the pieces. Locate the zipper, then unzip to remove the legs and clips. (Figure 1)
3. Next, attach the legs and castors. For the wedge and chair pieces, attach the wooden legs to the corresponding pre-drilled holes by hand turning in a clockwise direction until they are tight. For the ottoman, place the castors in the hole as shown in Figure 1 and tighten in a clockwise direction using the provided wrench.
5. Place your pieces as desired. Your modular is now ready to use! (Figure 2)

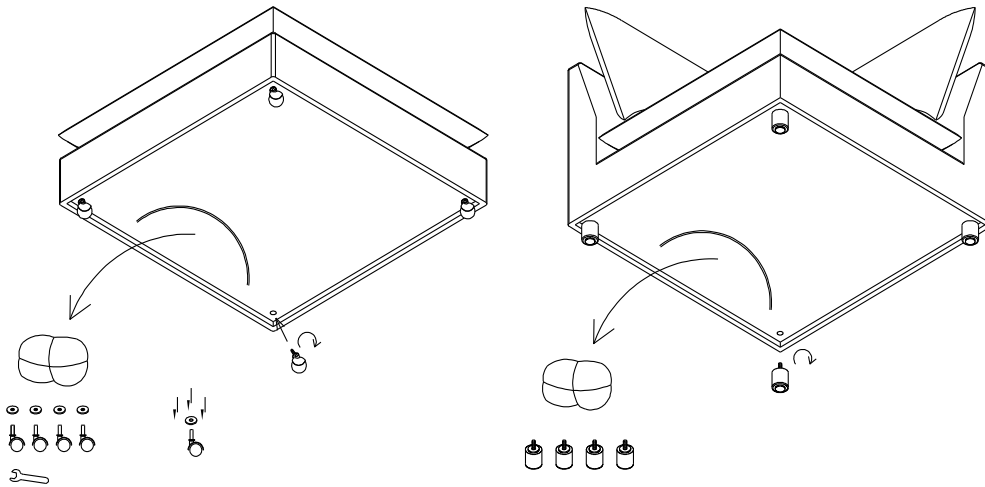


Figure 1

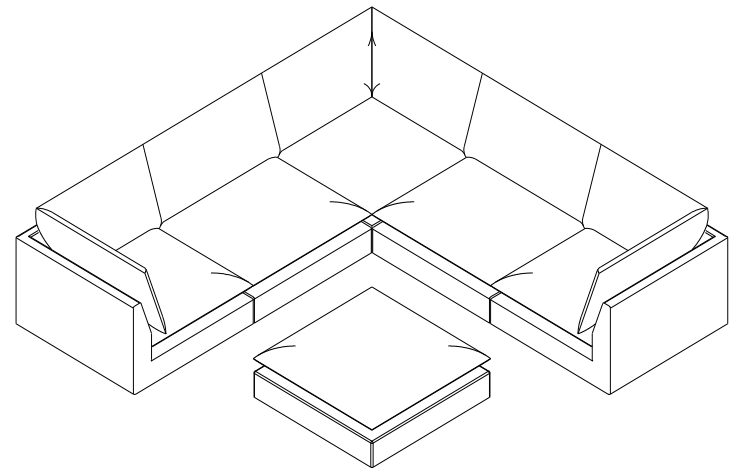


Figure 2

