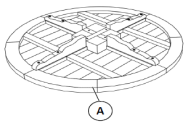
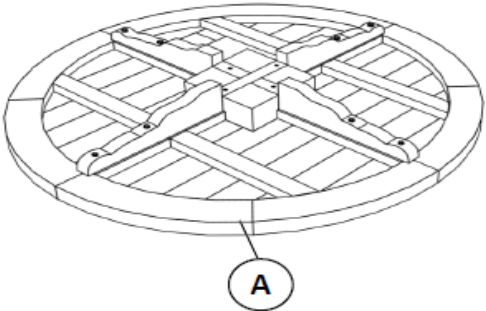
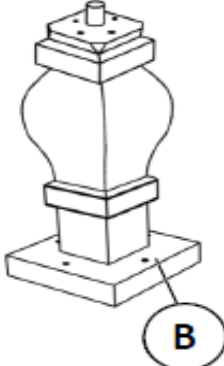

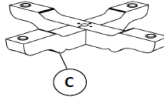
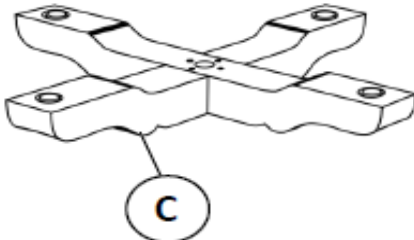




# Assembly Instructions

CADEN ROUND DINING TABLE

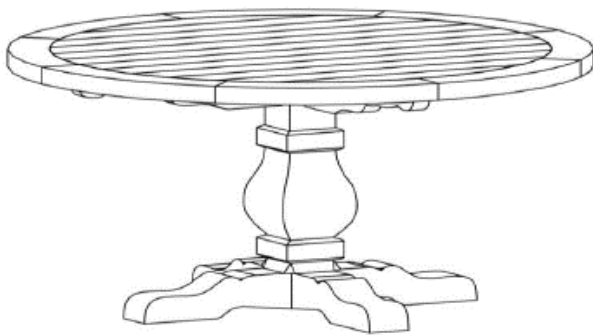
51030356

## Parts and Tools

|   |                                |   |                          |  |  |
|---|--------------------------------|---|--------------------------|--|--|
| A | 51030356-A                     |    | X 1                      |   |  |
| B | 51030356-B                     |   | X 1                      |  |  |
| C | 51030356-C                     |  | X 1                      |  |   |
| D | 51030356-D<br>D<br>E<br>F<br>G |  | X 4<br>X 8<br>X 4<br>X 1 |  |  |

CADEN ROUND DINING TABLE

51030356



### Before Starting:

1. Choose a clean, level, spacious assembly area. Avoid hard surfaces that may damage the product.
2. Always read the instructions carefully before beginning assembly to ensure that you have all required contents.
3. To prevent choking hazards, keep the packaging material out of reach of small children
4. Do not over tighten the bolts as this may damage the thread.
5. Use only vendor supplied hardware to assemble. Using unauthorized hardware could jeopardize the structural integrity of the item.
6. The use of power tools to aid in assembly is not recommended. Power tools can damage hardware and split wood.



ASSEMBLY REQUIRES  
TWO PEOPLE



20 MINUTE  
ASSEMBLY TIME



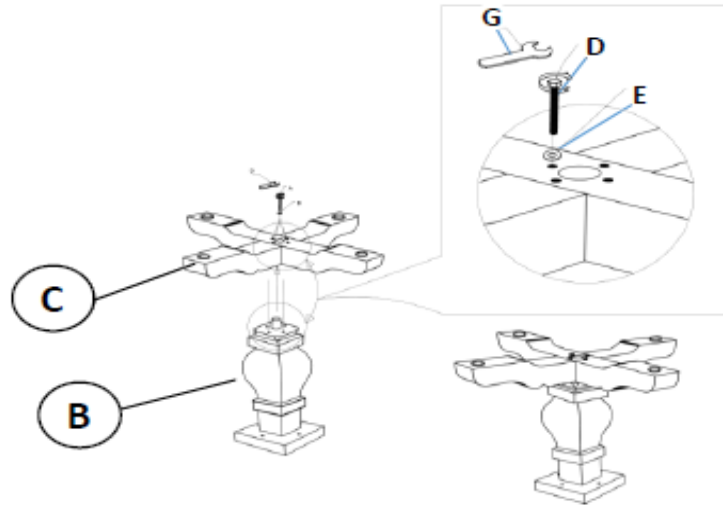
KEEP INSTRUCTIONS  
FOR FUTURE USE

# Assembly Instructions

CADEN ROUND DINING TABLE

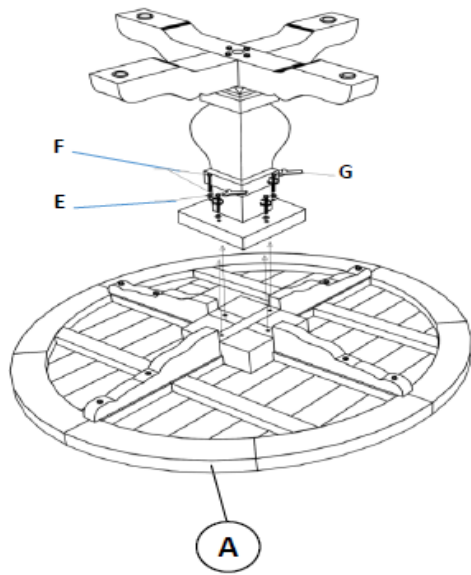
51030356

1



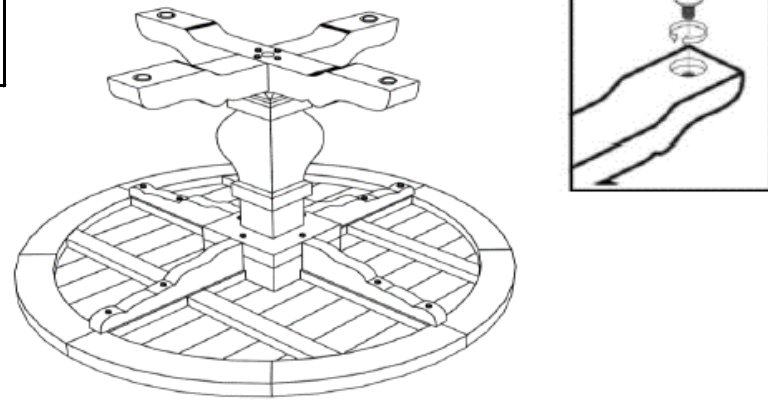
Assemble Pedestal Foot (C) into Pedestal Pillar (B) by using Open Wrench (G) to tighten Bolts (D) and Washers (E).

2



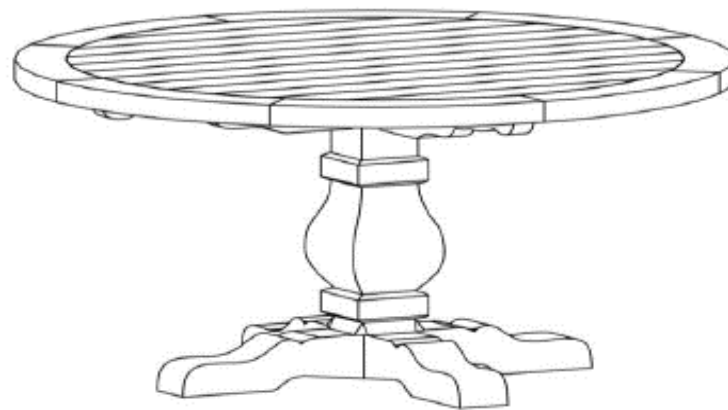
Connect the Leg Set into the Table Top (A) by using Open Wrench (G) to tighten Bolts (F) and Washers (E).

3



If the table doesn't sit level, please adjust the adjustable bolt under the legs.

4



Carefully turn the table and stand on it's leg. Item is completed.