



# BUNK BED LADDER-

## UPPER & LOWER HB/FB SET- RAILS/GUARD RAILS & 10 SLATS-

ASSEMBLY INSTRUCTIONS  
**MODEL NO. OWE25**  
**MODEL NO. OWE70**  
**MODEL NO. OWE78**

**"This bed can be assembled as either a Bunk Bed (Option A) or as two separate twin size beds (Option B). If Option B is selected please read the first 3 pages and then proceed directly to page 12"**

**Important:** Be sure to check all packing material carefully for small parts which may come loose inside carton during shipment. Separate, identify and count all parts and metal hardware.

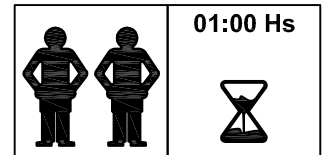
Compare with parts list and hardware illustrations to be sure all parts are present. If any parts(s) are missing or damaged, contact your dealer's customer service department. For efficient and speedy service, please indicate the model number and the parts needed.

**Attention:** Some lettered parts listed on the instruction sheets may not be in the parts bag, they may already be assembled.

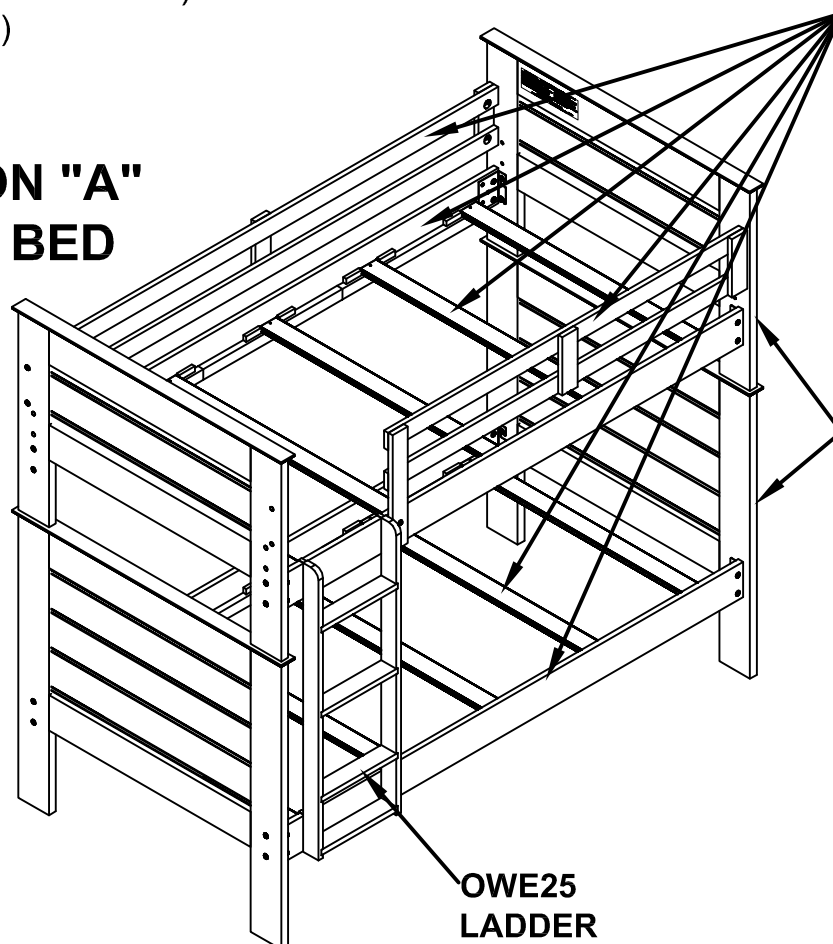
### TOOLS REQUIRED:

Phillips Screwdriver (Not Included)

Allen Key (2 Included)



## OPTION "A" BUNK BED



**OWE78**  
**RAILS**  
**GUARDRAILS**  
**& 10 SLATS**

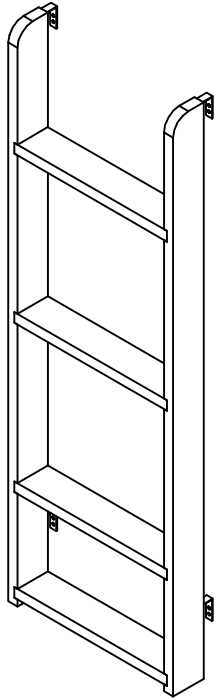
**OWE70**  
**UPPER & LOWER**  
**HEADBOARD AND**  
**FOOTBOARD SET**

**OWE25**  
**LADDER**

**Always use Ladder for entering and leaving upper Bunk.**

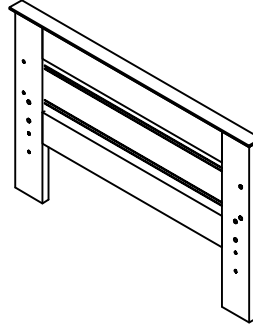
# PARTS

CARTON# OWE25

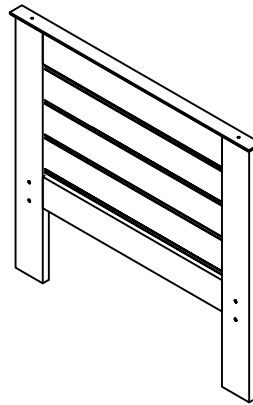


(A)- LADDER (1 PC)

CARTON# OWE70



(B)- FOOTBOARD (2 PCS)

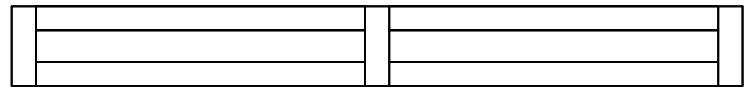


(C)- HEADBOARD (2 PCS)

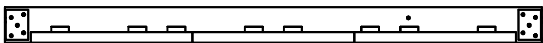
CARTON# OWE78



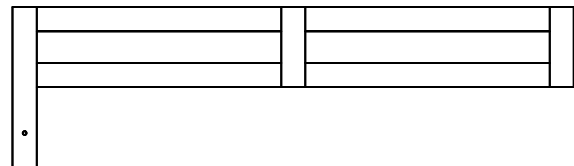
(D)- BED RAIL (3 PCS.)



(G)- BED GUARDRAIL (1 PC.)



(E)- BED RAIL WITH HOLE (1 PCS.)



(H)- FRONT GUARDRAIL (1 PC.)



(F)- TWIN SUPPORT SLAT (10 PCS.)

# HARDWARE

## INCLUDED IN CARTON #OWE78



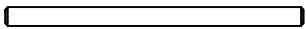
J) ALLEN KEY

Part No. HIN-04 (2 pcs.)



K) SCREW 8 X 1 1/4"

Part No. HCPF-080 (20 pcs.)



L) METAL DOWEL

Part No. HB-4 (4 pcs.)



M) CAP NUT 1/4-20 X 5/8

Part No. HIN-17 (17 pcs.)



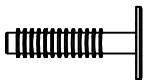
N) SLAB BASE WELD  
NUT 1/4-20 X 9/16"

Part No. HIN-209 (6 pcs.)



P) BOLT 1/4-20 X 1"

Part No. HCPP-25B (16 pcs.)



Q) BOLT 1/4-20 X 1 1/8"

Part No. HCPP-30 (1 pc.)



R) BOLT 1/4-20 X 1 3/4"

Part No. HCPP-70 (6 pcs.)



S) PHILLIPS SCREW  
FLAT HEAD 6 X 3/4"

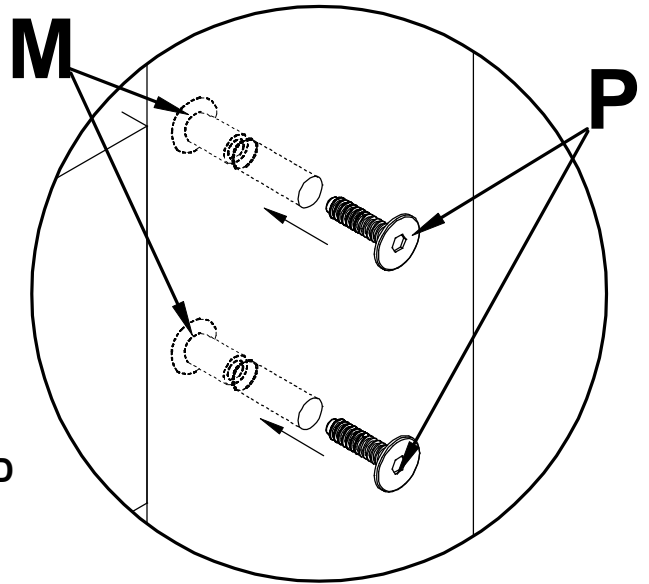
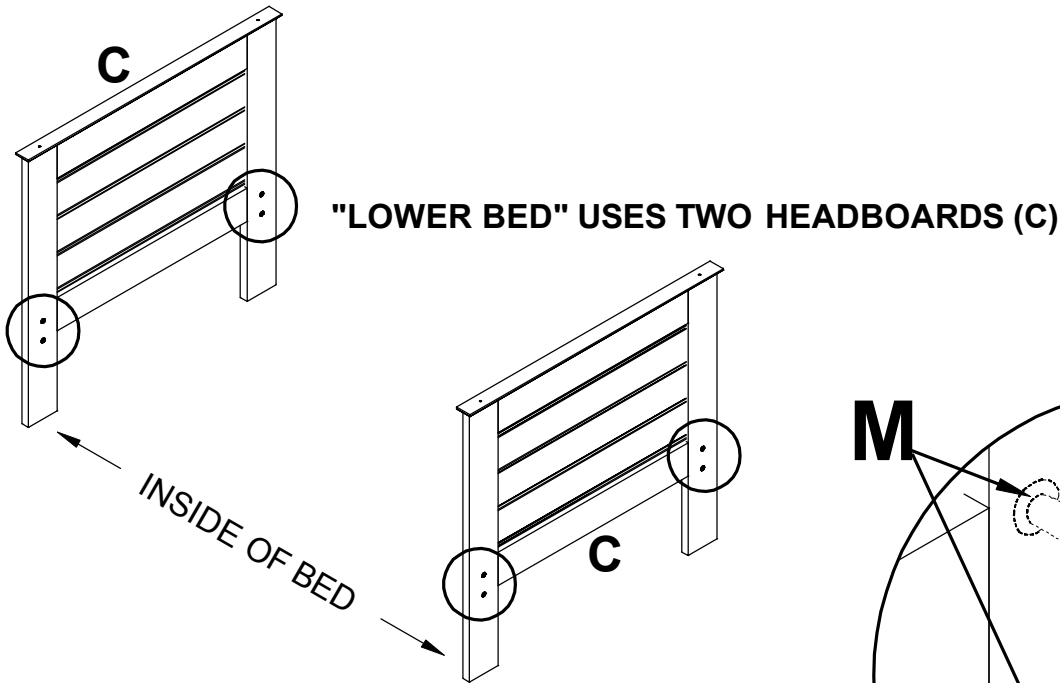
Part No. HCPF-013 (8 pcs.)

### PLEASE NOTE:



DUE TO THE DIFFERENT OPTIONS FOR ASSEMBLY, WOODEN HOLE PLUGS MAY HAVE BEEN INSERTED INTO SOME OF THE HOLES THAT WILL BE NEEDED FOR ASSEMBLY. WHERE A PLUG IS ALREADY INSERTED IN A HOLE THAT WILL LATER BE NEEDED FOR A BOLT PLEASE PUSH THE PLUG OUT FROM THE INSIDE USING A SMALL SCREWDRIVER AND REPLACE THAT PLUG INTO A DIFFERENT EXPOSED HOLE ONCE FINAL ASSEMBLY HAS BEEN COMPLETED.

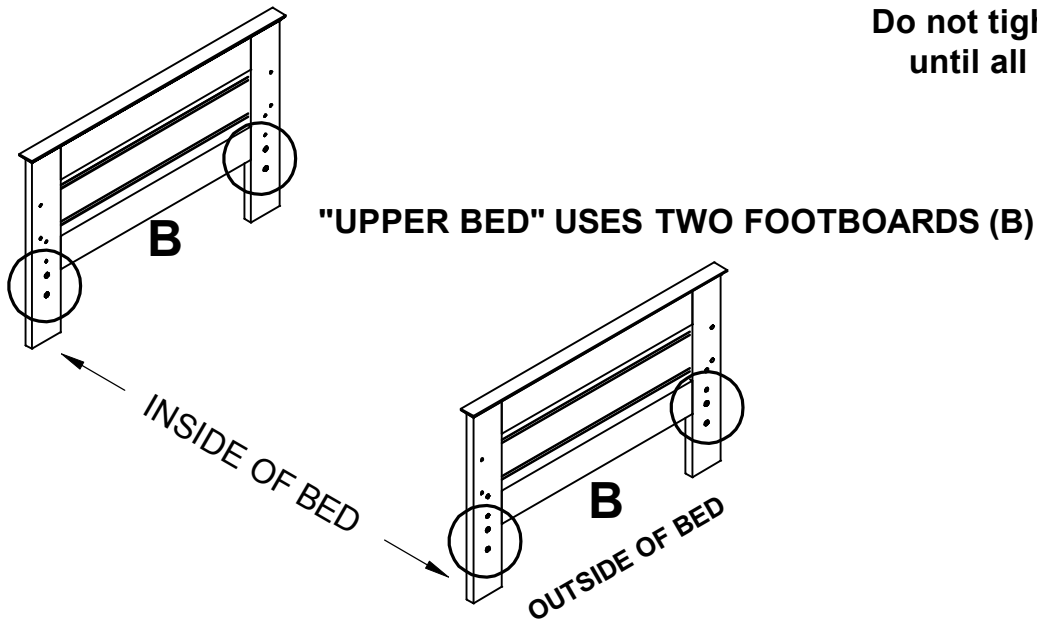
## STEP 1



**Step 1.** At (1) **HEADBOARD (C)**, Insert (4) **BOLTS 1/4-20 X 1" (P)** into holes at inside face, and loosely tighten (three turns) with (4) **CAP NUT (M)** at outside face. Repeat the step with the other (1) **HEADBOARD (C)**.

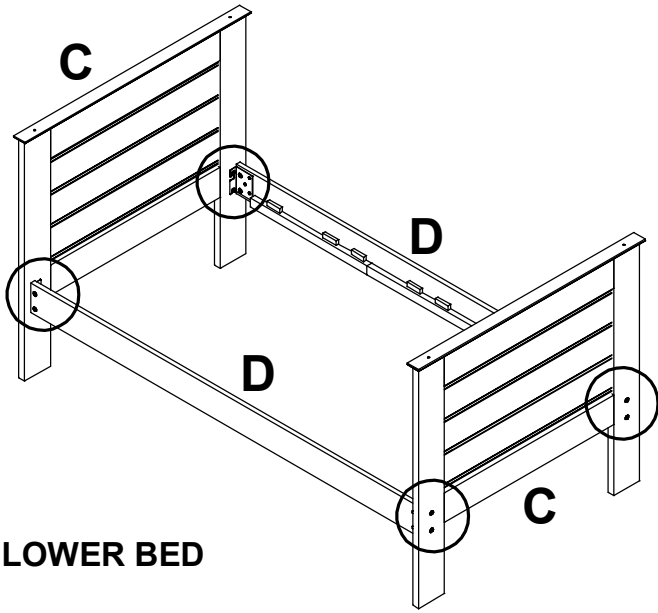
**Do not tighten bolts all the way in until all parts are assembled.**

## STEP 2

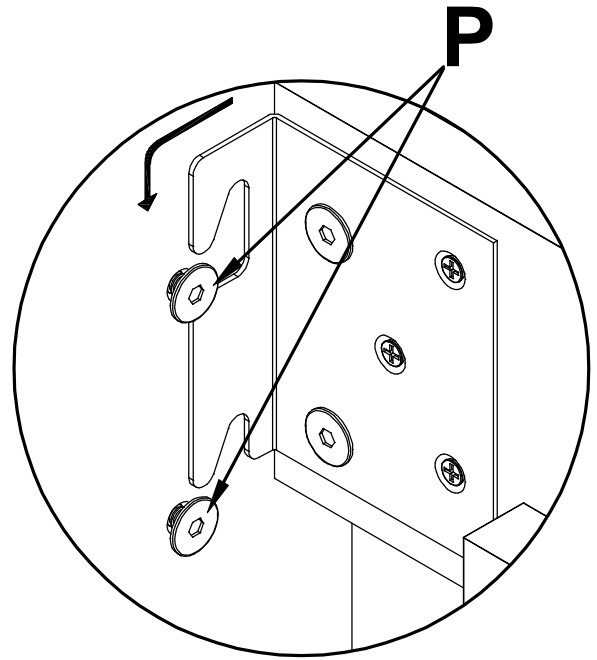


**Step 2.** At (1) **FOOTBOARD (B)**, Insert (4) **BOLTS 1/4-20 X 1" (P)** into lower pair of holes at inside face, and loosely tighten (three turns) with (4) **CAP NUT (M)** at outside face. Repeat the step with the other (1) **FOOTBOARD (B)** lower pair holes.

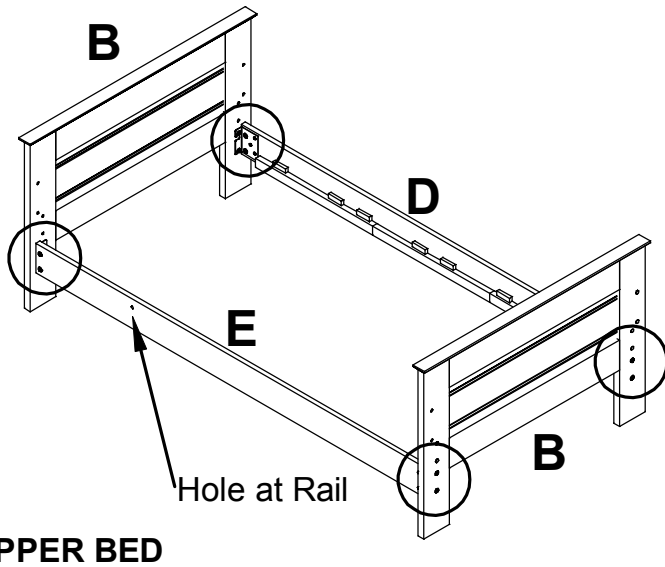
### STEP 3



**Step 3.** Place (1) **BED RAIL (D)** between the (2) **HEADBOARD (C)** into **BOLTS 1/4-20 X 1" (P)** placed at step 1. Repeat the step with (1) **BED RAIL (D)** at other bed side.

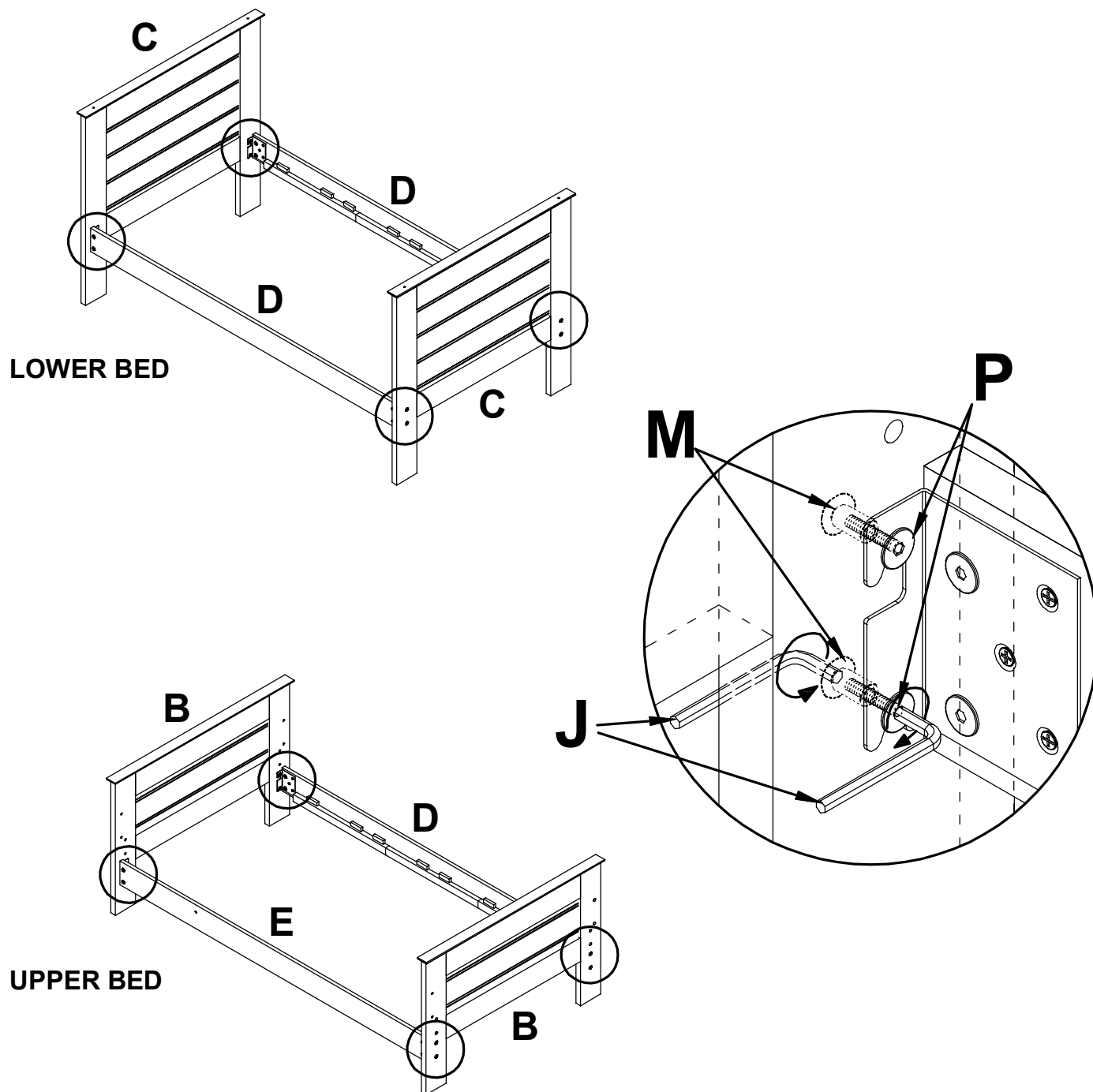


### STEP 4



**Step 4.** Place (1) **BED RAIL (D)** between the (2) **FOOTBOARD (B)** into **BOLTS 1/4-20 X 1" (P)** placed at step 2. At the other side place (1) **BED RAIL WITH HOLE (E)**.

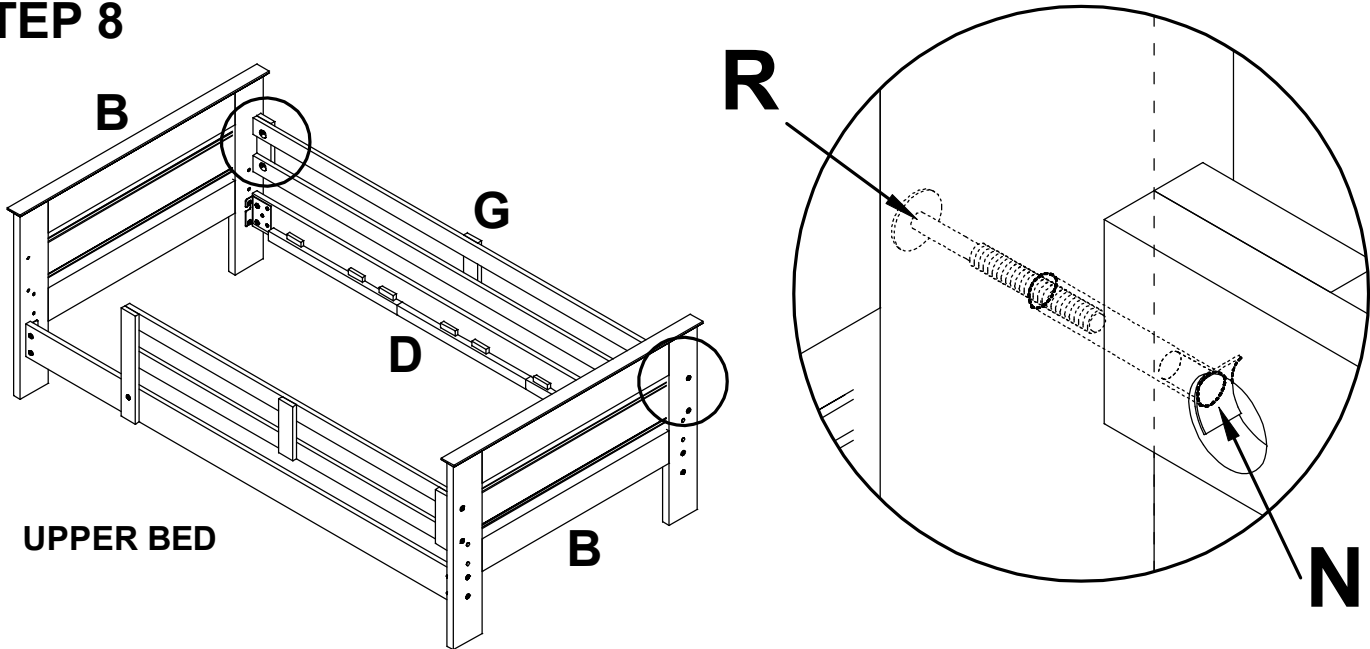
## STEP 5



**Step 5.** Each **BOLT 1/4-20 X 1"** (P) and **CAP NUT (M)**, tighten securely with (2) **ALLEN KEY (J)**.

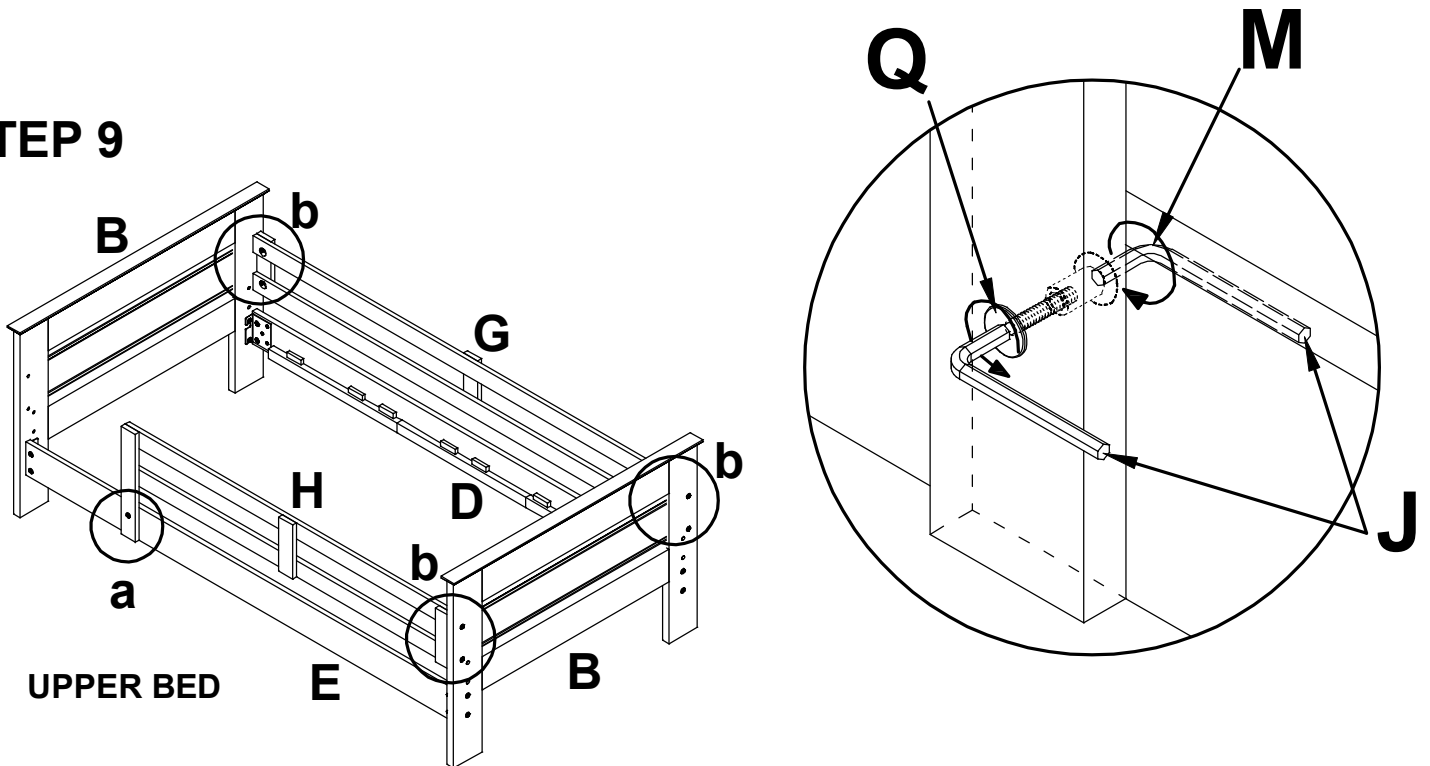


## STEP 8



**Step 8.** Insert (2) **BOLTS 1/4-20 X 2 3/4"** (R) into **FOOTBOARD (B)** holes. Place (2) **SLAB BASE WELD NUT (N)** in holes inside face of **BED GUARDRAIL (G)**. Hold nut and tighten until secure. Repeat the step with other side of the Guardrail. **Do not tighten bolt all the way in until all Guardrails are assembled.**

## STEP 9



**Step 9.** Tighten securely:  
**a)** (1) **BOLT 1/4-20 X 1 1/8"** (Q) at **FRONT GUARDRAIL (H)** and **BED RAIL WITH HOLE (E)** with (2) **ALLEN KEY (J)**;  
**b)** (6) **BOLTS 1/4-20 X 2 3/4"** (R) at **BED GUARDRAIL (G)** and **FRONT GUARDRAIL (H)** with (1) **ALLEN KEY (J)**.



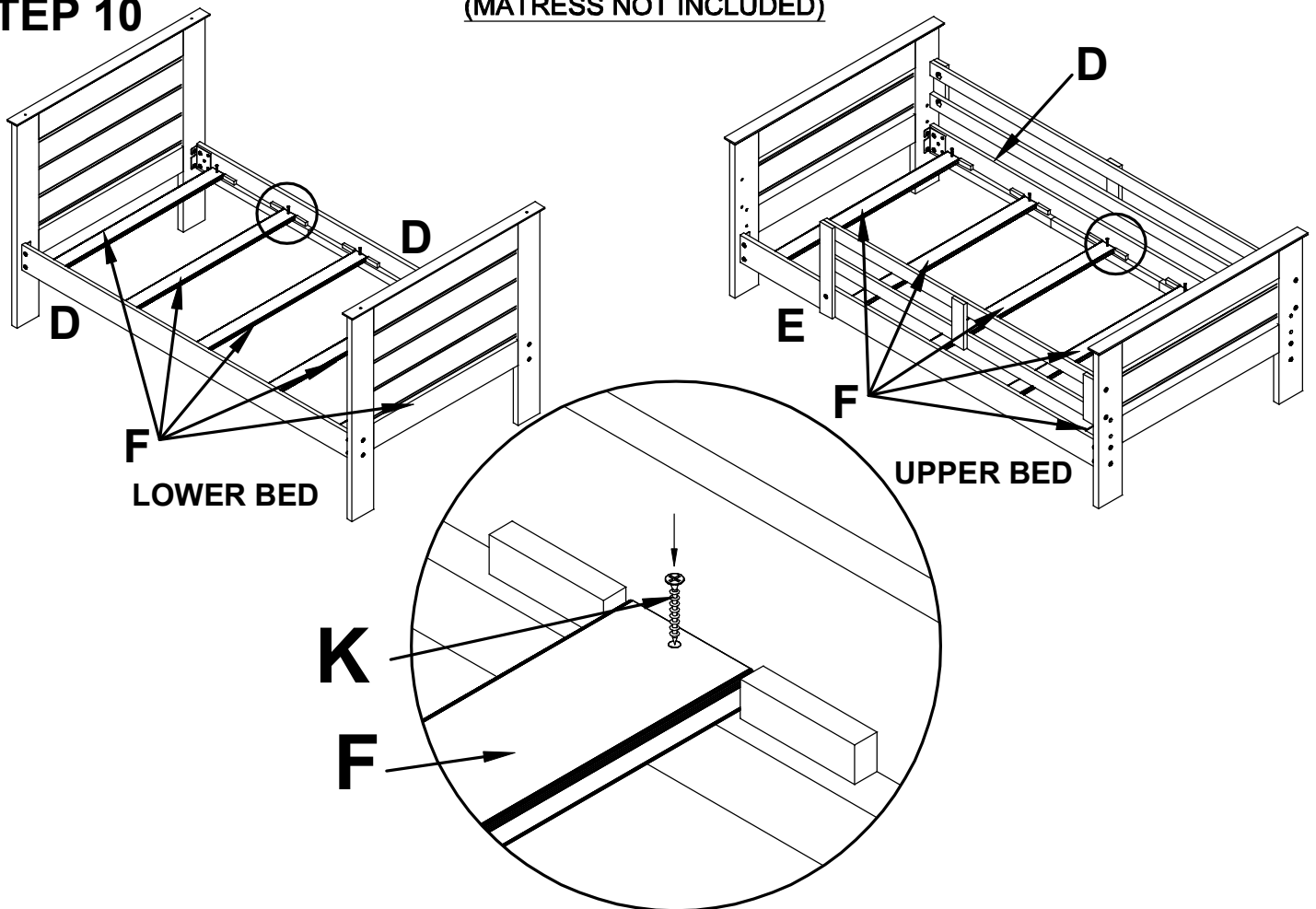
## WARNING

**"DO NOT USE MATTRESS WITHOUT ASSEMBLING SUPPORT SLATS FIRST"**

USE ONLY MATTRESS WHICH IS 74" TO 75" LONG AND 37 1/2" TO 38 1/2" WIDE.

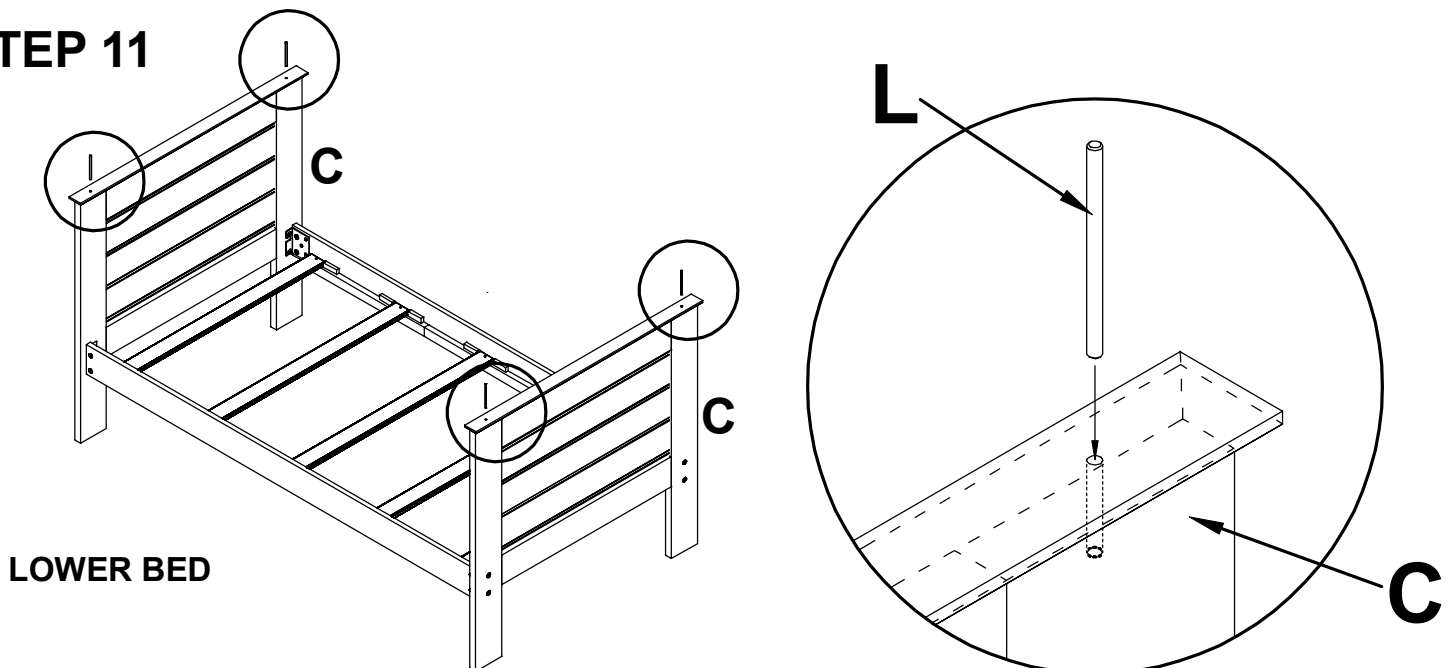
**BOX SPRING CANNOT BE USED ON THE TOP BED, BUT CAN USE A BUNKIE  
(MATTRESS NOT INCLUDED)**

### STEP 10



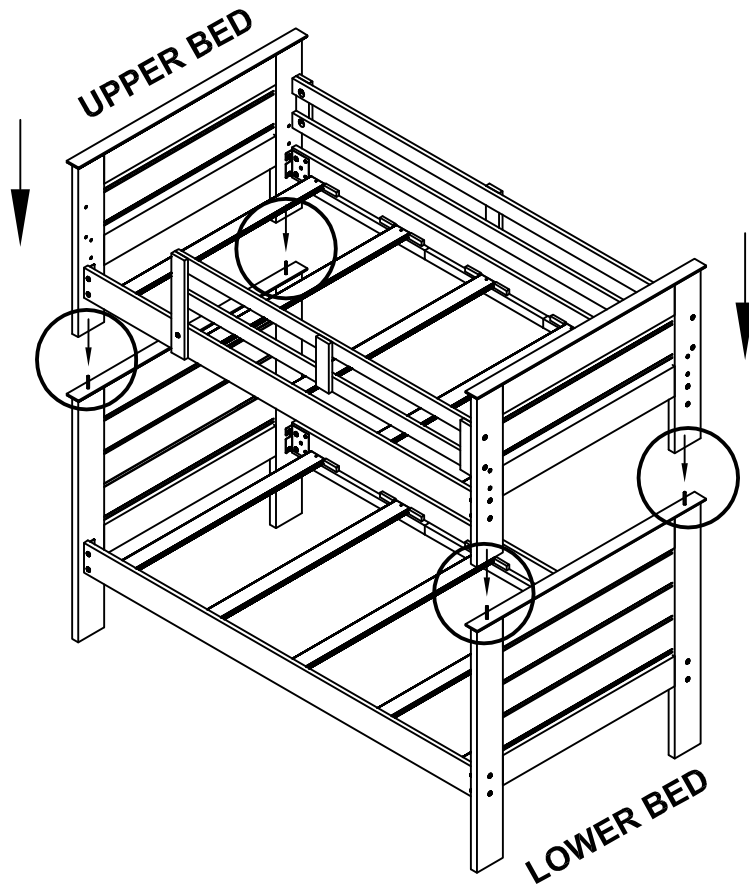
**Step 10.** Place (10) **TWIN SUPPORT SLAT (F)** onto **BED RAILS (D) & (E)** and fasten with (20) **1 1/4" SCREW (K)** as shown. (5) slats each bed, (2) screws each slat.

### STEP 11



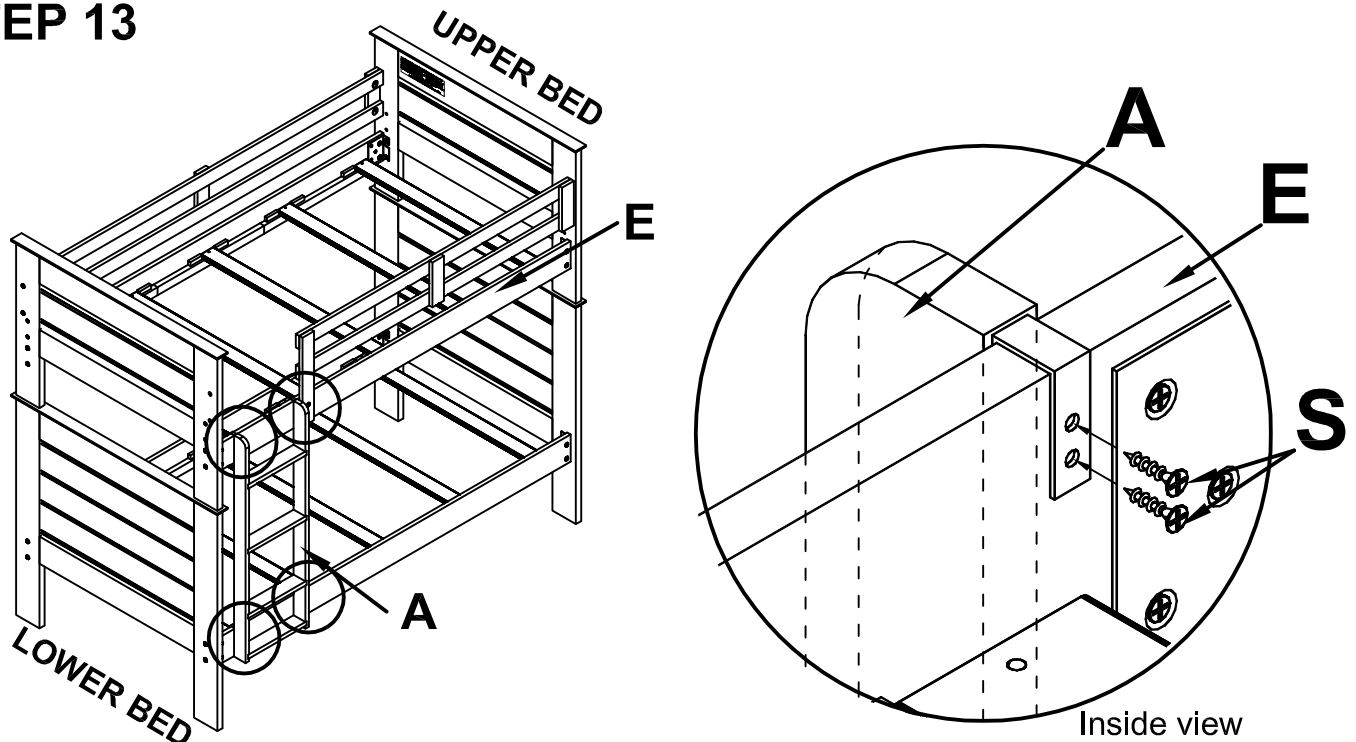
**Step 11.** Insert (4) **METAL DOWEL (L)** into pre-drilled holes on top of the (2) **HEADBOARD (C)**.

## STEP 12



**Step 12.** With help of a second person, gently lift Upper Bed on top of Lower Bed, aligning onto (4) **METAL DOWEL (L)**

## STEP 13



**Step 13.** Place **LADDER (A)** at outside of **BED RAIL WITH HOLE (E)** and fasten with (4) **3/4" SCREW (S)** at inside of the rail. (2) screws each hook.

**This Bunk Bed complies with the voluntary Bunk Bed Safety Guidelines published by the American Furniture Manufacturers Association and F1427 and 16CFR-1513 by American Standards and Testing Association. To ensure the safe use of our product observe the following safety precautions.**

## **SAFETY**

- 1. - Use only mattresses that are 37 1/2" to 38 1/2" in width and 74" to 75" in length.**
- 2. - Surface of mattress must be at least 5" below the upper edge of guardrails.**
- 3. - Always use the recommended size mattress, to help prevent the likelihood of entrapment or falls.**
- 4. - Follow the information on the warning appearing on the upper bunk bed structure and on the carton. Do not remove warning label from bed.**
- 5. - Always use guardrails on both long sides of the upper bunk. If the bunk bed will be placed next to a wall, the guardrail that runs the full length of the bed should be placed against the wall, to prevent entrapment between the bed and the wall.**
- 6. - Do not allow children under 6 years of age to use the upper bunk.**
- 7. - Prohibit more than one person on upper bunk.**
- 8. - Periodically check and ensure that the guardrail and other components are in proper position, free from damage, and that all connectors are tight.**
- 9. - Do not allow horseplay on or under the bed and prohibit jumping on the bed.**
- 10. - Maximum total weight is not to exceed 150 lbs on the upper and lower beds.**
- 11. - Do not use substitute parts. Replacement parts, including additional guardrails, may be obtained from our customer service department.**
- 12. - Use of a night Light may provide added safety precaution for a child using the upper bunk.**
- 13. - The use of water or sleep flotation mattress is prohibited.**
- 14. - Always use the Ladder for Entering and Leaving the Upper Bunk.**
- 15. - Keep these Instructions for Future Reference.**

### **DO NOT REMOVE WARNING LABEL FROM BUNK BED.**

Compare with parts list and hardware illustrations to be sure all parts are present.

**If any part(s) are missing or damaged, contact your Dealer's Customer Service Department. For efficient and speedy service, please indicate the model number and code letter of part(s) needed.**

### **STRANGULATION HAZARD**

Never attach or hang items to any part of the bunk bed that are not designed for use with the bed, for example, but not limited to, hooks, belts and jump ropes.

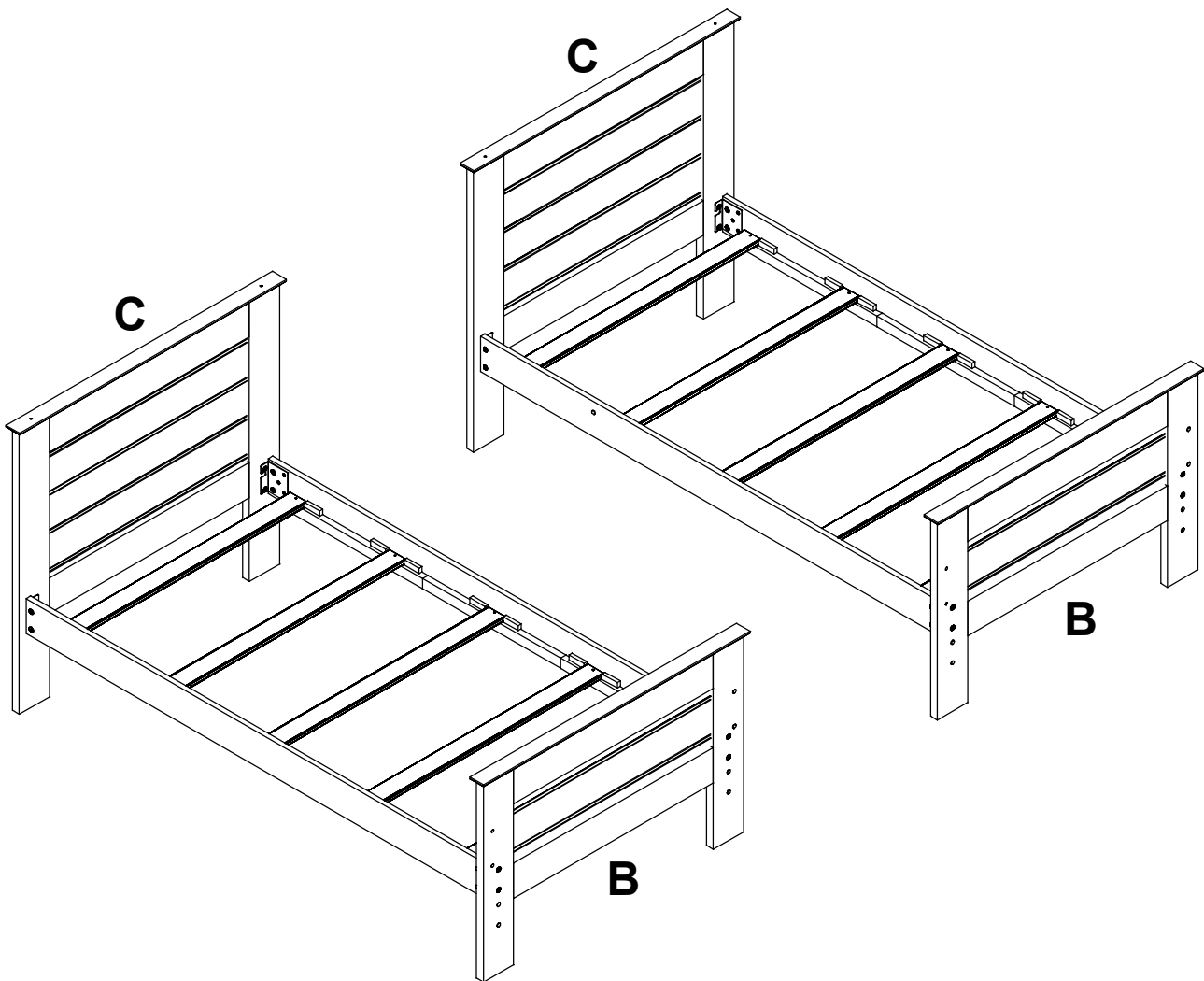
# OPTION "B" TWO TWIN SIZE BEDS

ASSEMBLY INSTRUCTIONS

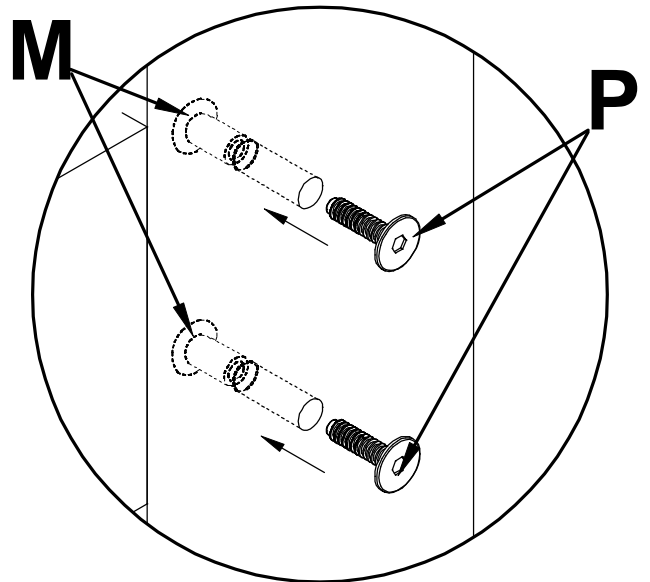
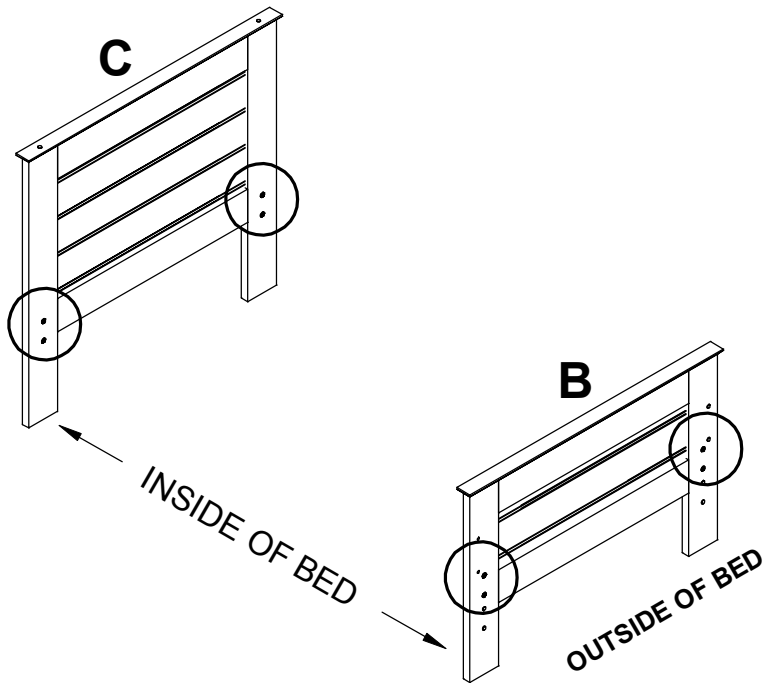
USING:  
MODEL NO. OWE70  
MODEL NO. OWE78

---

If You desire you can use the bunk bed part, to assemble two separate beds.  
You only need to assemble (1) HEADBOARD (C) and (1) FOOTBOARD (B) together.



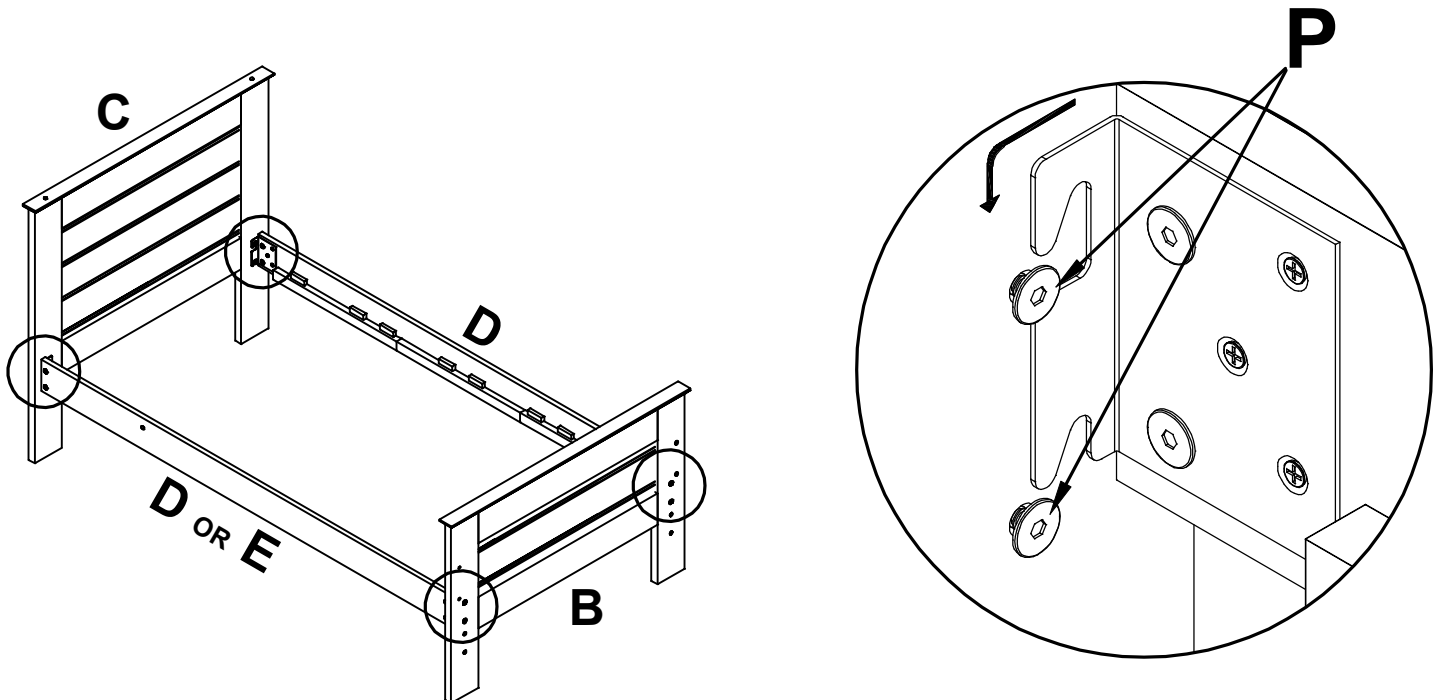
## STEP B1



Do not tighten bolts all the way in until all parts are assembled.

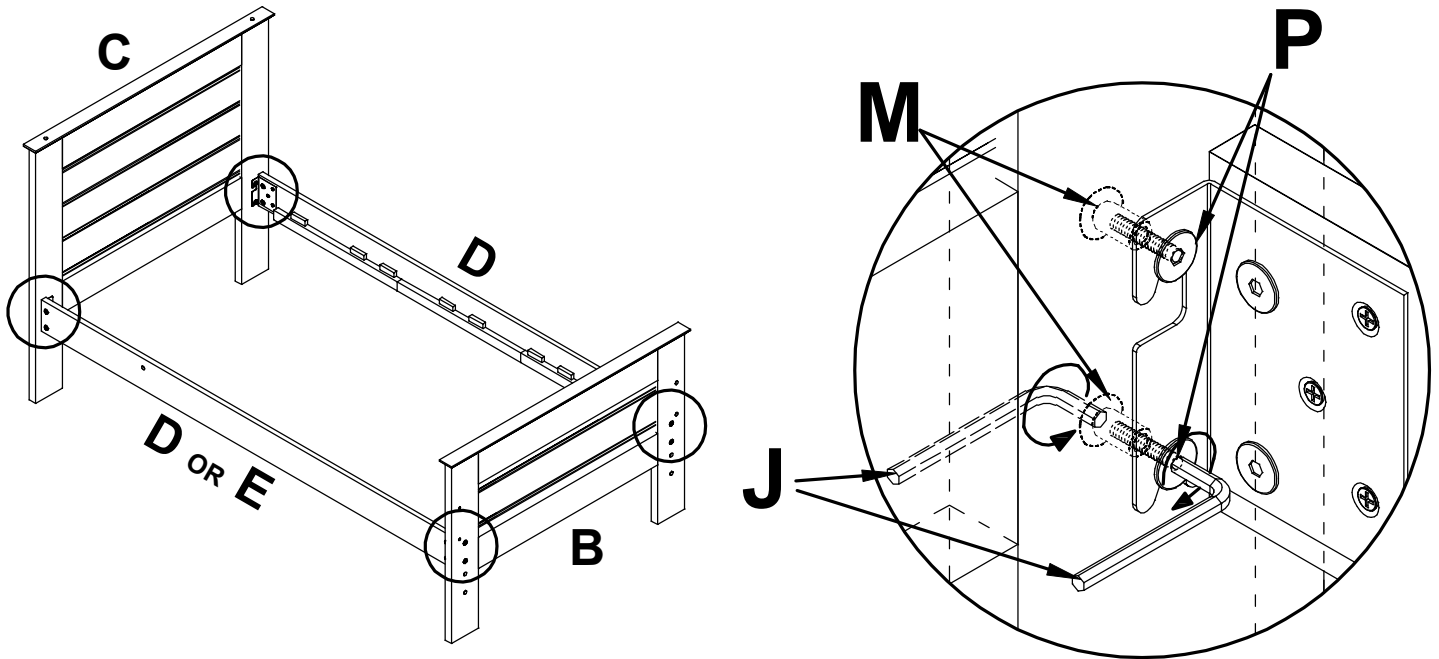
**Step B1.** At **HEADBOARD (C)**, Insert (4) **BOLTS 1/4-20 X 1" (P)** into holes at inside face, and loosely tighten (three turns) with (4) **CAP NUT (M)** at outside face. Repeat the step with the **FOOTBOARD (B)** into middle pair of holes. And make the same to the other bed.

## STEP B2



**Step B2.** Place (1) **BED RAIL (D)** between the (1) **HEADBOARD (C)** and (1) **FOOTBOARD (B)** into **BOLTS 1/4-20 X 1" (P)** placed at step B1. Repeat the step with (1) **BED RAIL (D) & or (E)** at other bed side. And make the same to the other bed.

### STEP B3

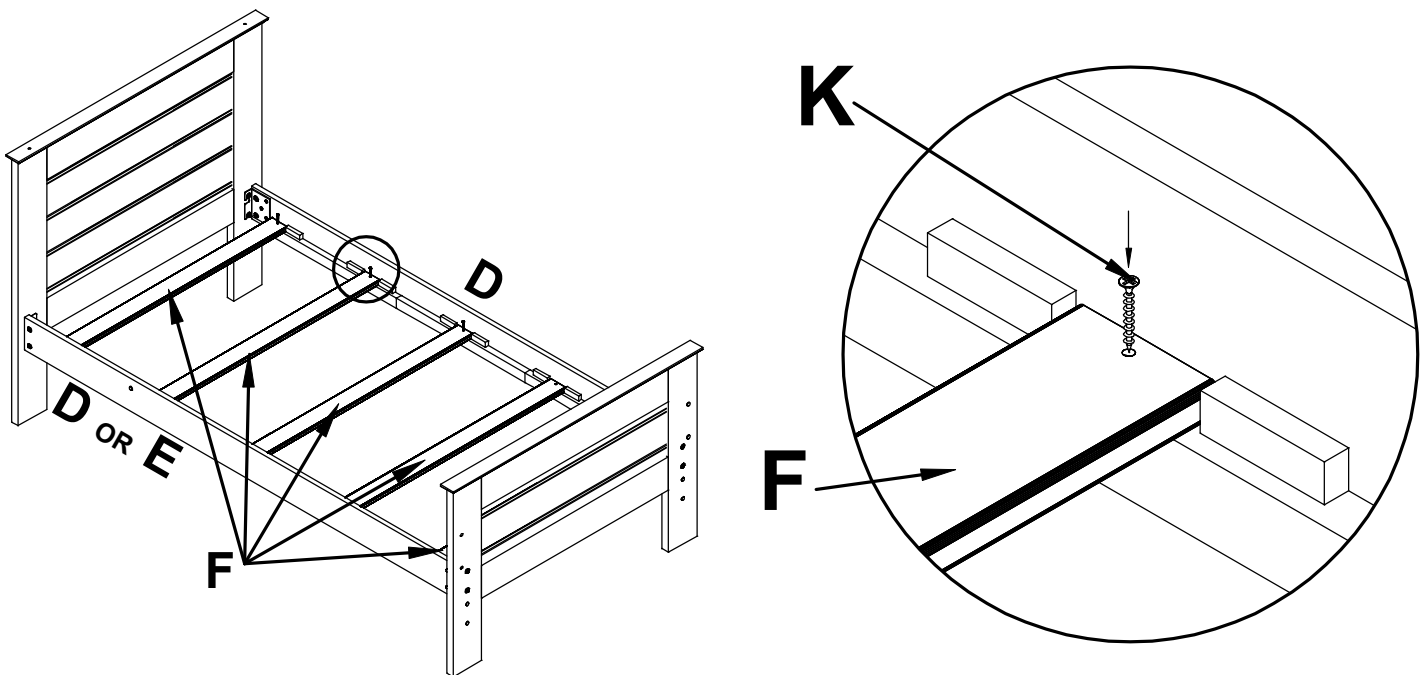


Step B3. Each **BOLT 1/4-20 X 1" (P)** and **CAP NUT (M)**, tighten securely with (2) **ALLEN KEY (J)**.

### **WARNING**

**"DO NOT USE MATTRESS WITHOUT ASSEMBLING SUPPORT SLATS FIRST"**  
USE ONLY MATTRESS WHICH IS 74" TO 75" LONG AND 37 1/2" TO 38 1/2" WIDE  
(MATTRESS NOT INCLUDED)

### STEP B4



Step B4. Place (5) **TWIN SUPPORT SLAT (F)** onto **BED RAILS (D) & or (E)** and fasten with (10) **1 1/4" SCREW (K)** as shown. (5) slats each bed, (2) screws each slat. Make the same to the other bed.