



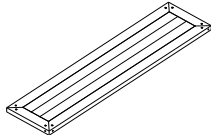

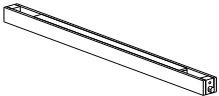
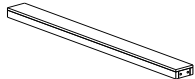
LIVING SPACES

ASSEMBLY INSTRUCTIONS

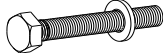
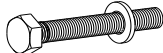
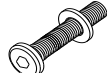

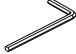

Caden Console Table
ITEM No.: 51030653

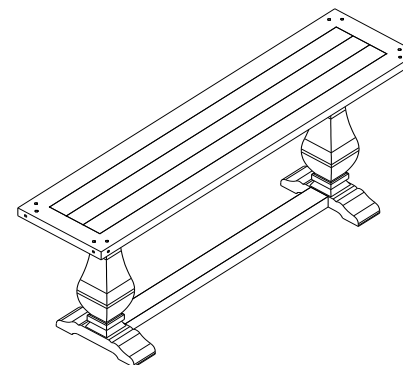


(BOX 1)
Box of Table Top / Table Legs/ Top Support/ Stretcher

SKU#	IMAGE	DESCRIPTION	QUANTITY
51030653		Table Top	1
		Leg	2
		Top Support	1
		Stretcher	1

(BOX 1)
Table Top / Table Legs/ Top Support/ Stretcher Hardware List

SKU#	IMAGE	DESCRIPTION	QUANTITY
Z1 Z4		Bolt: Ø 8 x 100mm Washer: Ø 8 x 19 x 2mm	4
Z2 Z4		Bolt: Ø 8 x 70mm Washer: Ø 8 x 19 x 2mm	4
Z3 Z4		Allen Bolt: Ø 8 x 50mm Washer: Ø 8 x 19 x 2mm	8
Z5		Open Wrench Ø13	1
Z6		Allen Key: Ø4 x 59mm	1
Z7		Adjustable Bolt	4



COMPLETED CONSOLE TABLE
ASSEMBLY



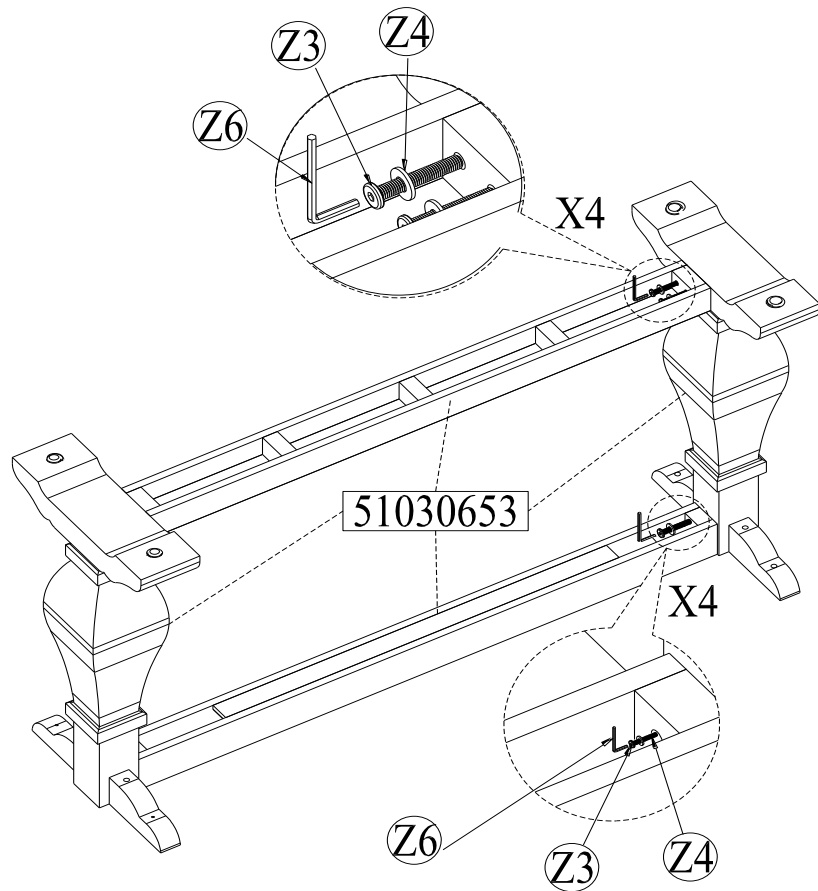
LIVING SPACES

ASSEMBLY INSTRUCTIONS

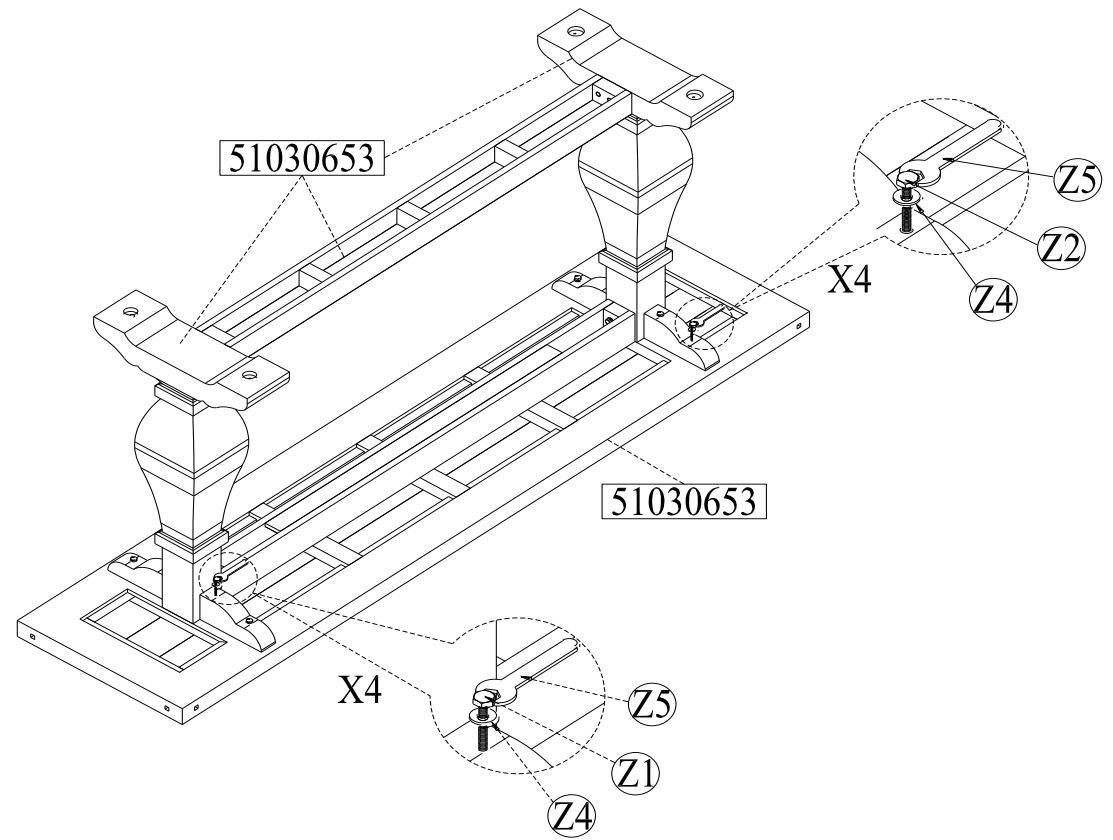
Caden Console Table
ITEM No.: 51030653



STEP 1



STEP 2





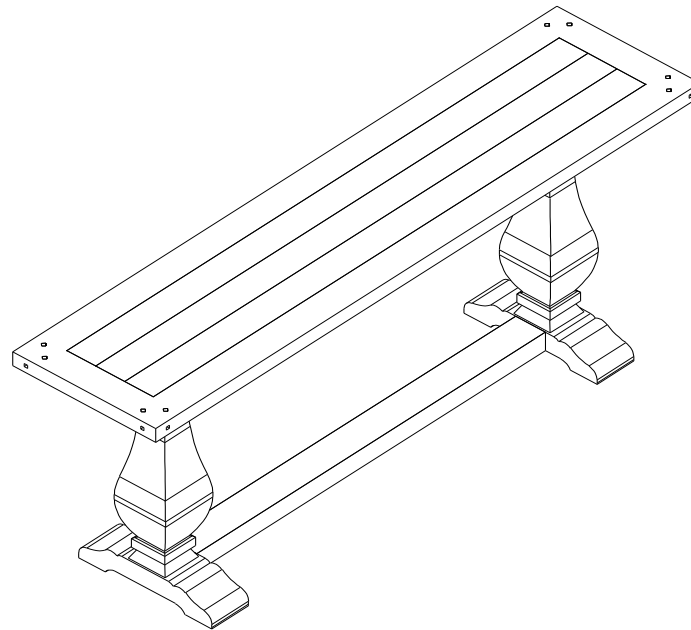
LIVING SPACES

ASSEMBLY INSTRUCTIONS

Caden Console Table
ITEM No.: 51030653



STEP 3



THE HARDWARE IS LOCATED IN THE PACKING ITEMS

NOTE: MUST TIGHTEN SCREWS PERIODICALLY. WITH USE SCREW MAY BE COME LOOSE CHECK TIGHTNESS OF ALL SCREWS EVERY 6-8 WEEKS.

CLEANING INSTRUCTIONS

After assembly, clean & polish the completed parts if necessary with soft cloth and industrial recognized furniture polish.