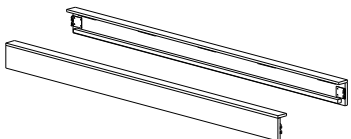


ASSEMBLY INSTRUCTIONS



A	HEADBOARD PANEL		X1
B	RIGHT HEADBOARD LEG		X1
C	LEFT HEADBOARD LEG		X1
D	FOOTBOARD PANEL		X1
E	SLAT		X4
F	SLAT SUPPORT		X8
G	CAL KING SIDE RAIL		X2
H	JCBC BOLT WITH SPRING WASHER AND FLAT WASHER		X6
		M6 x 40mm	
I	ALLEN KEY		X1
		M4	
J	SCREW P/H RATTAN		X8
		8 X 1 1/4"	
K	JCBC BOLT WITH SPRING WASHER AND FLAT WASHER		X8
		M8 x 25mm	
L	ALLEN KEY		X1
		M5	

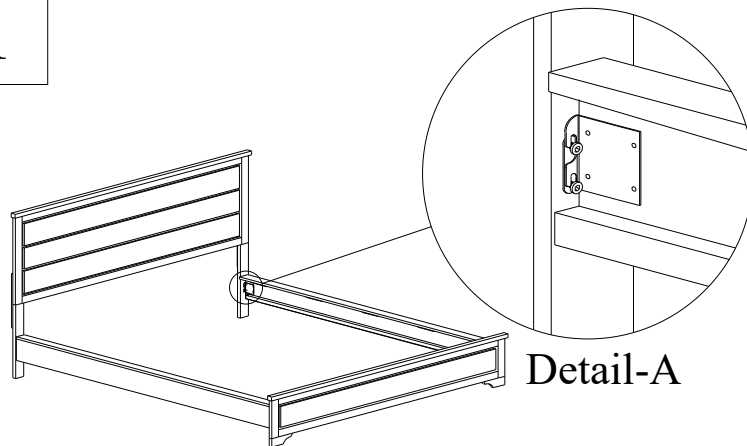
CAL KING SIDE RAIL



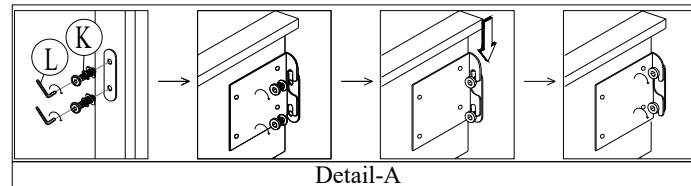
B3050-CK-RAIL - CAL KING SIDE RAIL



1



COMPLETED ASSEMBLY



2

