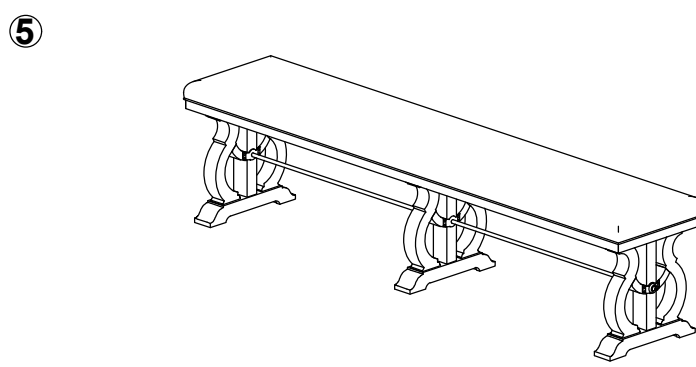
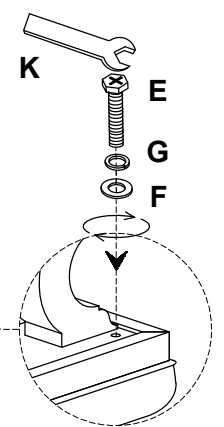
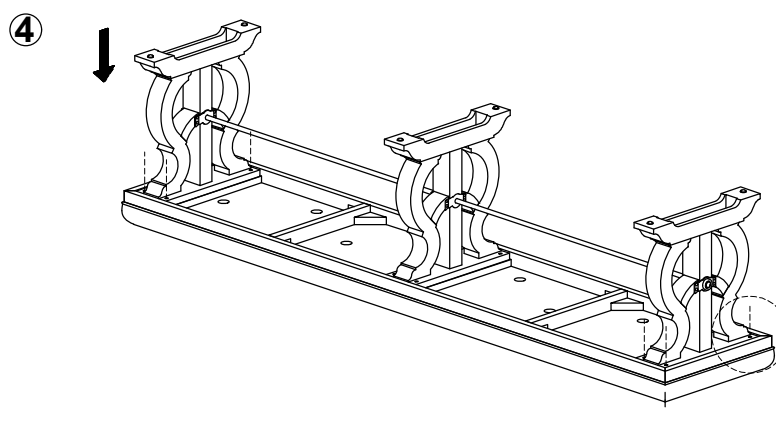
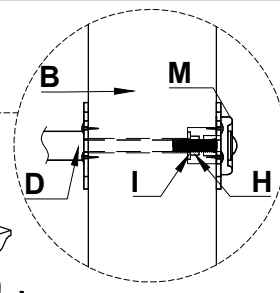
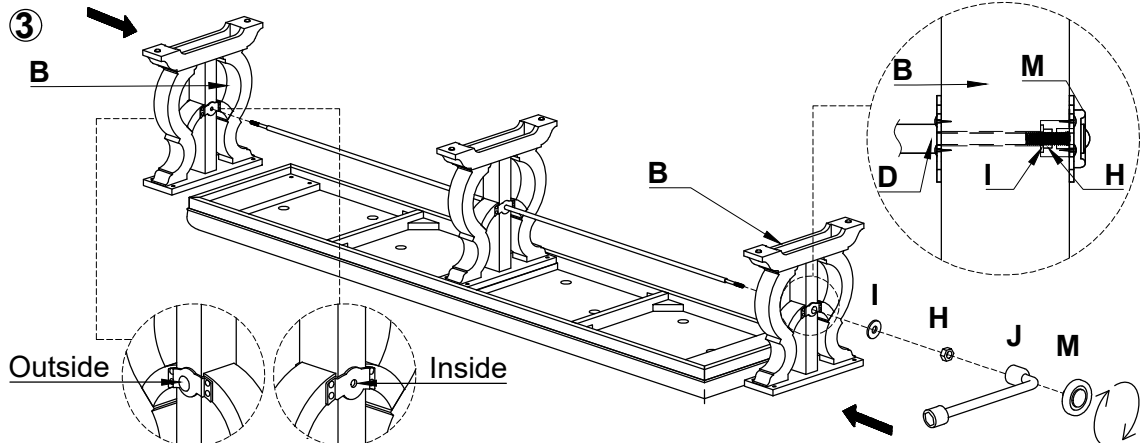
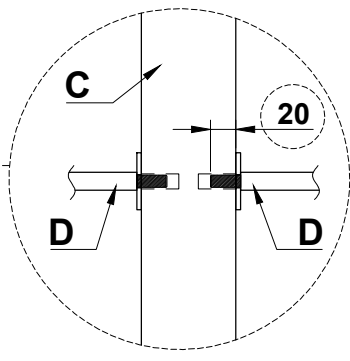
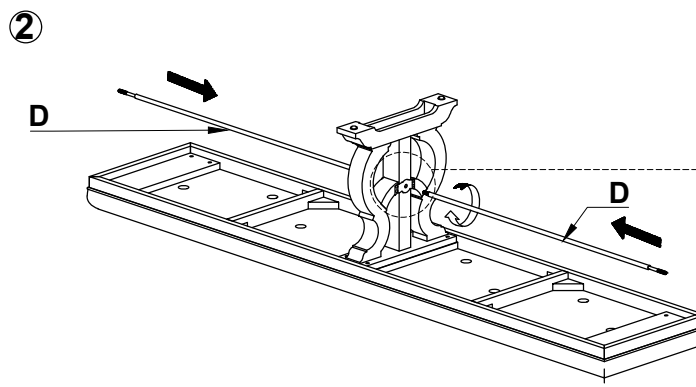
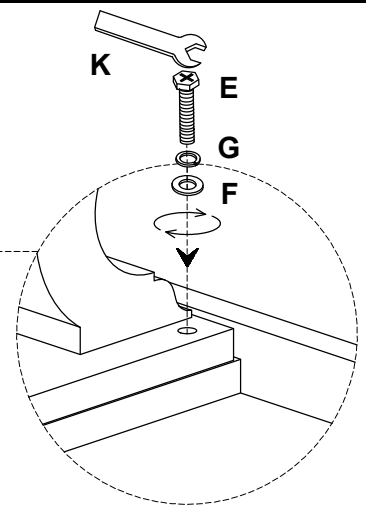
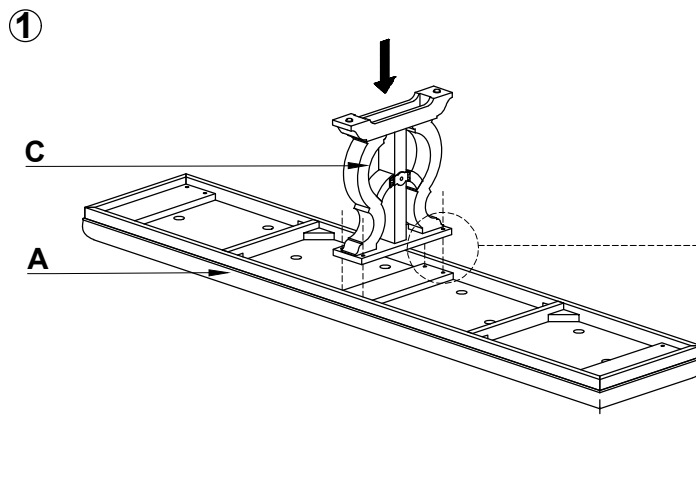
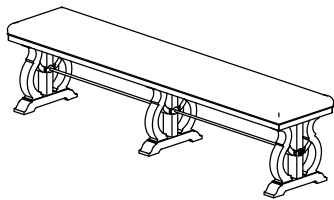


| | | | |
|---|---------------|--|-----|
| A | PD5066-68TP | | X1 |
| B | PD5066-68LG1 | | X2 |
| C | PD5066-68LG2 | | X1 |
| D | PD5066-68MS | | X2 |
| E | PD5066-68HD-E | | X12 |
| F | PD5066-68HD-F | | X12 |
| G | PD5066-68HD-G | | X12 |
| H | PD5066-68HD-H | | X2 |
| I | PD5066-68HD-I | | X2 |
| J | PD5066-68HD-J | | X1 |
| K | PD5066-68HD-K | | X1 |
| M | PD5066-68HD-M | | X2 |



Martin



267414/D5066-68
MARTIN UPHOLSTERED BENCH