

MADISONPARK ASSEMBLY INSTRUCTIONS

Description: Arm Chair


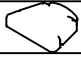




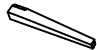

Important safety instructions:

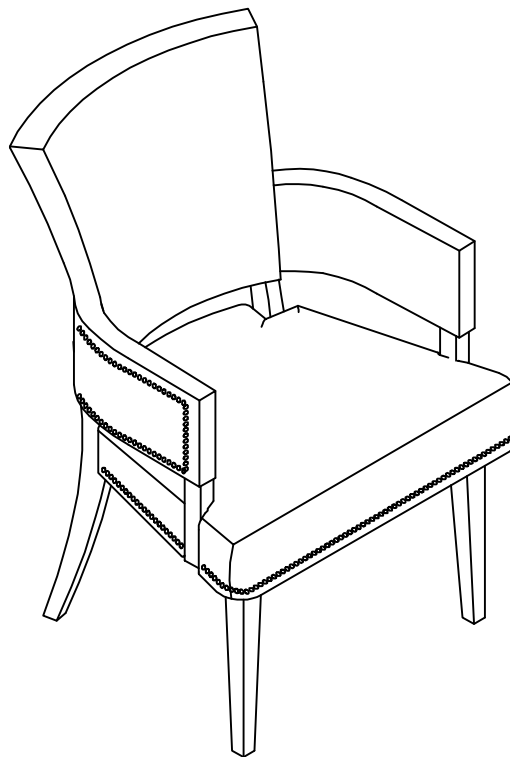
- Please carefully read all instructions before assembling the chair.
- For your safety and ease, assembly by two or more adults is recommended.
- Keep instructions for future use.

Pre-assembly:











- Do not discard any contents until after assembly is complete to avoid accidentally discarding small parts or hardware.
- Remove all parts and hardware from box along with any plastic protective packaging.

Parts List

Item	Description	QTY
A	Chair Back Top 	1
B	Seat Cushion 	1
C	Right Arm Post  	1
D	Left Arm Post  	1
E	Front Legs 	2
F	Back Legs 	2

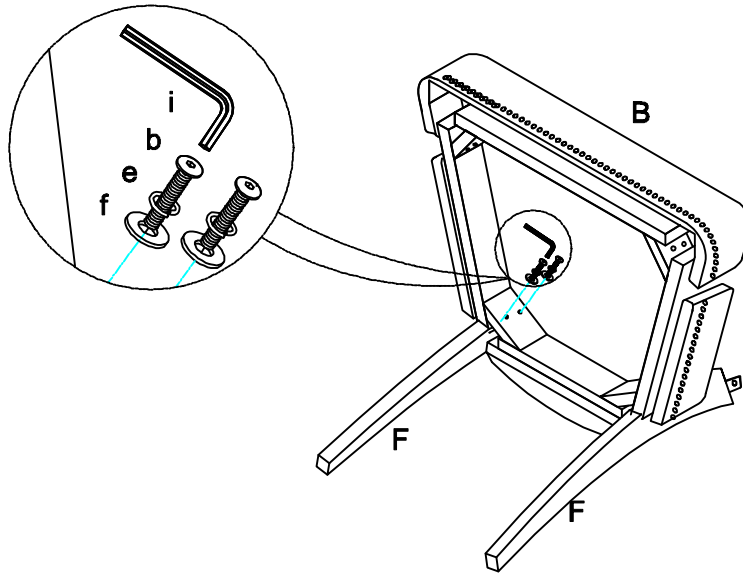


Hardware List

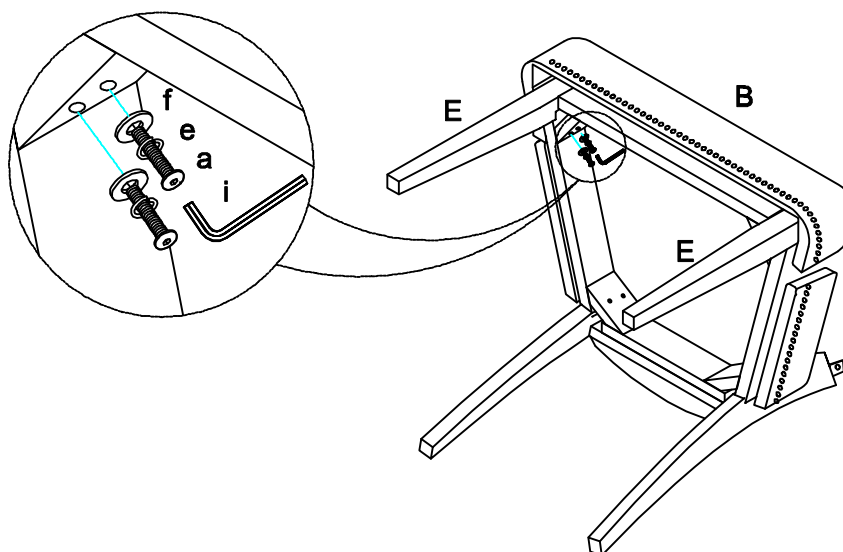
Item	Description	QTY
a	Bolts Ø5/16**3-1/4" 	4
b	Bolts Ø5/16**2" 	4
c	Bolts Ø5/16**1-3/4" 	4
d	Bolts Ø1/4**1" 	6
e	Lock Washers 5/16" 	12
f	Flat Washers 5/16" 	12
g	Lock Washers 1/4" 	6
h	Flat Washers 1/4" 	6
i	Allen Wrench 5/16" 	1
j	Allen Wrench 1/4" 	1

Assembly Procedures:

Step 1. Assemble the arm chair on a flat, soft surface such as a carpet or cloth to prevent scratching the finish. Attach the back legs (F) to seat cushion (B) using bolts (b), lock washers (e), flat washers (f). Loosely tighten with Allen wrench (i). Do not tighten the bolts at this time.

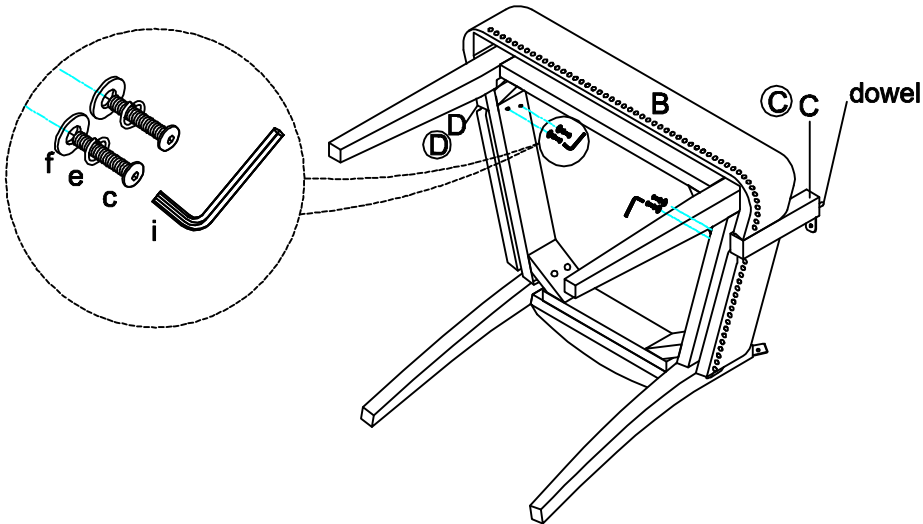


Step 2. Attach the front legs (E) to the seat cushion (B) using bolts (a), lock washers (e), flat washers (f). Loosely tighten the bolts with Allen wrench (i). Do not tighten the bolts at this time.



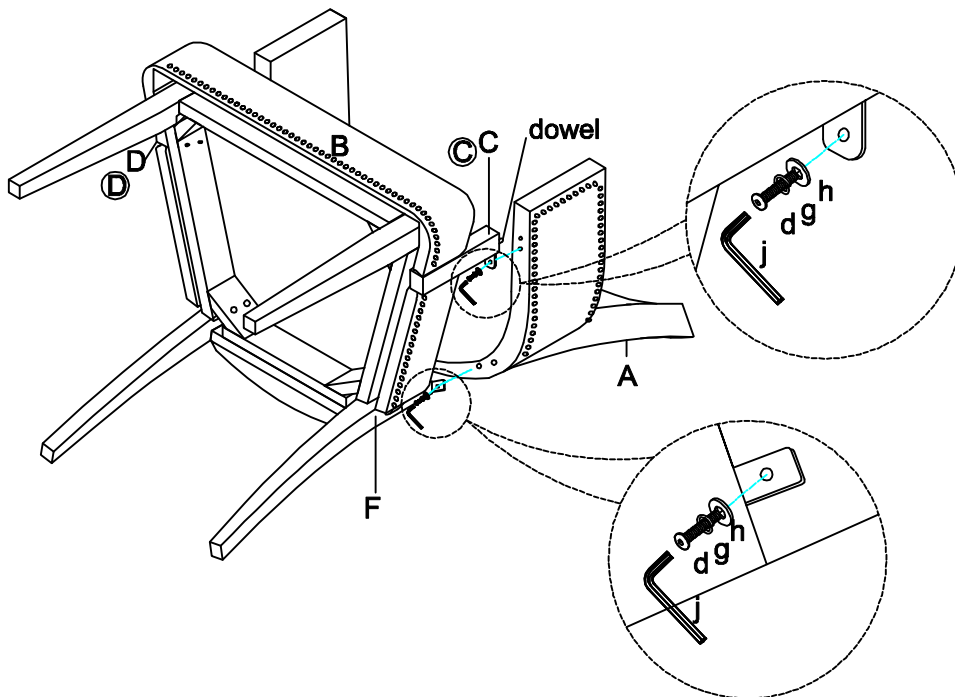
Step 3. Loosely attach right arm port (D) and left arm port (C) to seat cushion (B) according to the labels (D,C) on the arm post using bolts (c), lock washers (e) and flat washers (f). Loosely tighten with Allen wrench (i). Do not tighten the bolts at this time.

Note: Do not tighten the bolts.



Step 4.

- 1) Attach the chair back top (A) to the top of assembled back legs and arm posts (F, D, C) using bolts (d), lock washers (g) and flat washers (h). Loosely tighten the bolts with Allen wrench (j).
- 2) Securely tighten all bolts by Allen wrench (i, j), but do not over tighten the bolts.
- 3) Assembly are complete. Failure to follow these instructions may cause the bolts to misalign during assembly.



ADDITIONAL NOTE ABOUT SAFETY: BOLTS MAY LOOSEN DURING NORMAL EVERYDAY USE. THEY SHOULD BE PERIODICALLY INSPECTED AND RE-TIGHTENED TO PREVENT DAMAGE OR INJURY. ALWAYS CHECK TO BE SURE THAT ALL HARDWARE IS KEPT TIGHTENED.

Thank you for your purchase