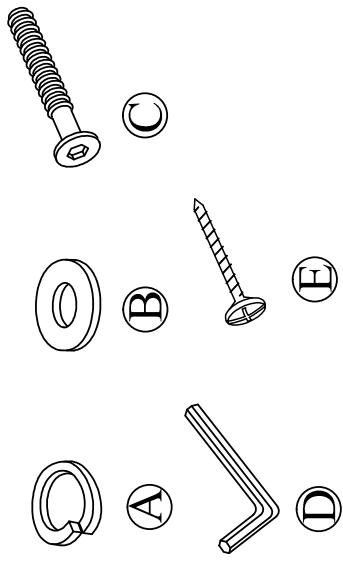


Thank you for purchasing this quality product. Be sure to check all packing material carefully for small parts that may have come loose inside the carton during shipment.

Hardware kit (2021-56KDP46)	
No	Q'Ty Description
A	12 pcs Lock Washer 5/16"
B	12 pcs Flat Washer 5/16"
C	12 pcs Bolt 1/4"x 1 3/4"
D	1 pc Allen Key
E	6 pcs Screw Ø4 x 38mm

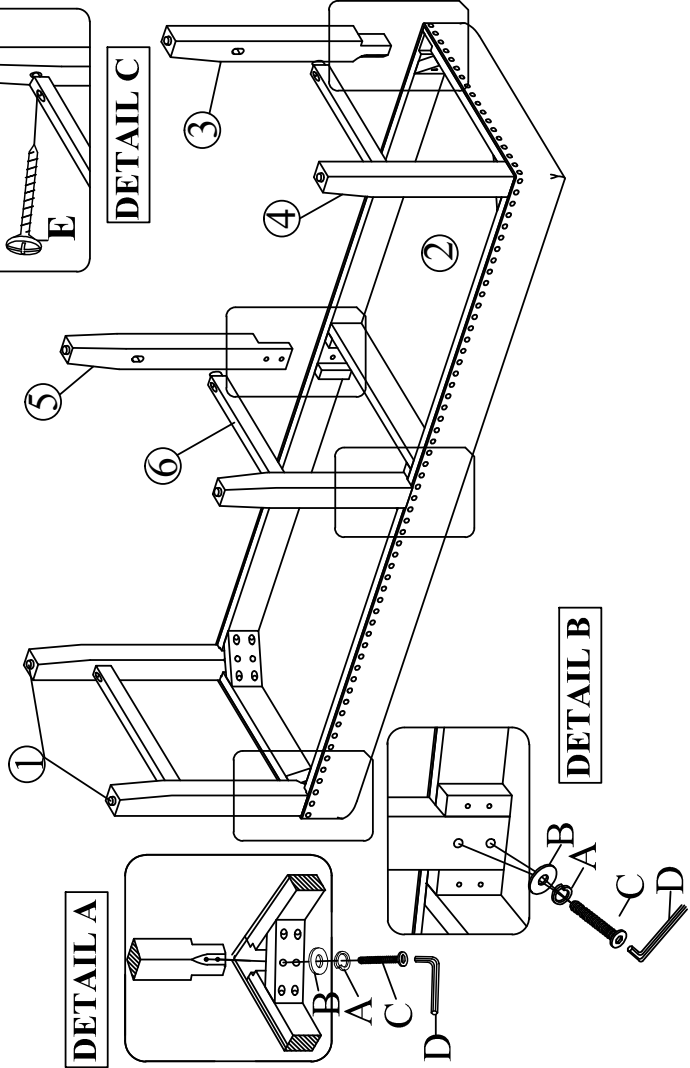
Key Parts		
No	Code	Q'Ty Description
1	2021P01F	6 pcs Floor glide
2	2021-56KDP41	1 pc Bench Seat
3	2021-56KDP42	2 pcs Right Facing Front Leg
4	2021-56KDP43	2 pcs Left Facing Front Leg
5	2021-56KDP42M	2 pcs Middle Leg
6	2021-56KDP44	3 pcs Stretcher



Remove bottom seat material before setup

### STEP 1

- Carefully lay Bench seat up side down on a smooth flat surface to prevent scratches.
- Affix a leg (3), to each corner of the bench seat as shown in Detail (A) using a flat washer, lock washer, long Bolt. Do not fully tighten the Bolts at this point.
- Affix a middle leg (4) to the bench seat as shown in Detail (B) using a flat washer, lock washer and short Bolt. Do not fully tighten the Bolts at this point.
- Insert 4 long stretchers then insert 3 short stretchers between side leg and middle leg, faster stretchers with screw using Screwdriver (not provide), (Detail C).
- After all the stretchers are in place, tighten all Bolts.
- Replace bottom seat material.



**FABRIC CARE INSTRUCTION REGULAR CARE**  
Clean with shampoo, foam, or dry cleaning solvents as desired.  
Do not saturate with liquid. Pile fabrics may require brushing to restore appearance.  
Cushion covers should not be removed and dry cleaned.  
**FABRIC CONTENT: 100% Polyester; Cleaning code "WS"**