

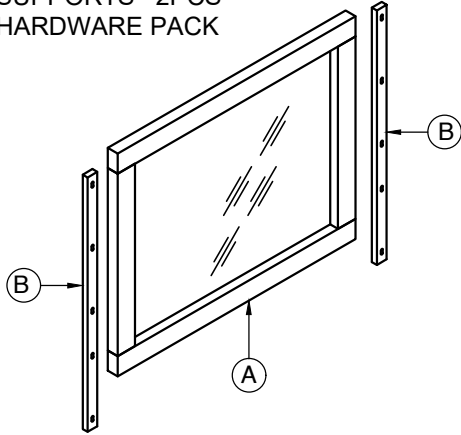
HEATH MIRROR ASSEMBLY INSTRUCTIONS



PARTS PACKING CONFIGURATIONS

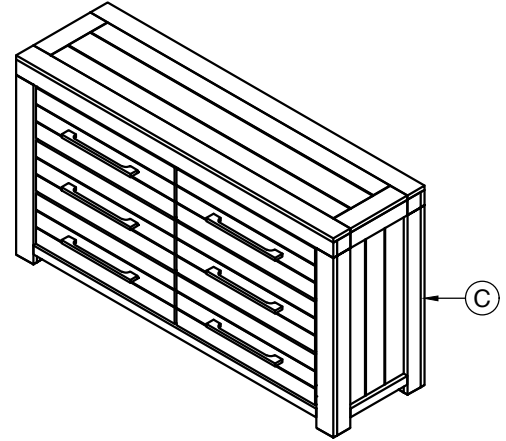
BOX #1:

- A. MIRROR 1PC
- B. MIRROR SUPPORTS 2PCS
- * MIRROR HARDWARE PACK



BOX #2:

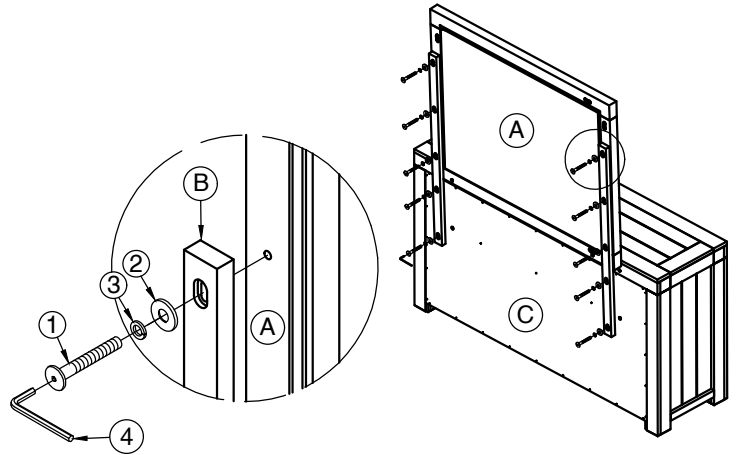
- C. DRESSER (SOLD SEPARATELY) 1PC



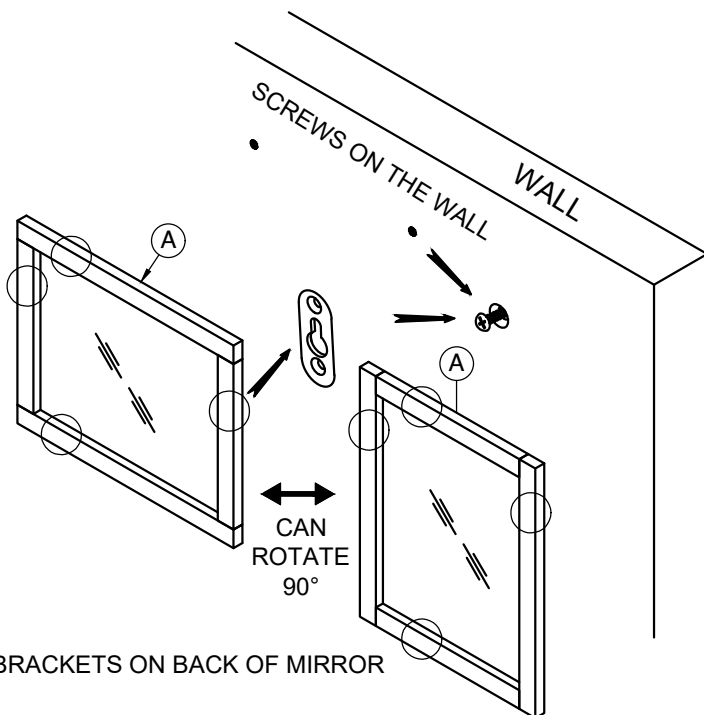
HARDWARE PACKED IN BOX #1

No	Description	Photo	Quantity
1	ALLEN BOLT (M8x 40mm)		10 PCS
2	FLAT WASHER (M9)		10 PCS
3	SPRING WASHER (M9)		10 PCS
4	ALLEN KEY		1 PC

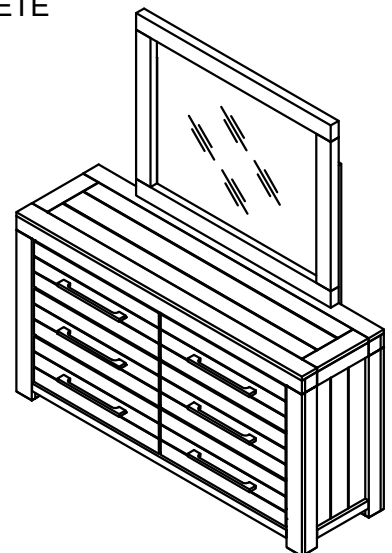
OPTION 1: ATTACHING MIRROR TO DRESSER



OPTION 2: ATTACHING MIRROR TO WALL



ASSEMBLY COMPLETE



MOUNTING HARDWARE IS NOT INCLUDED.

