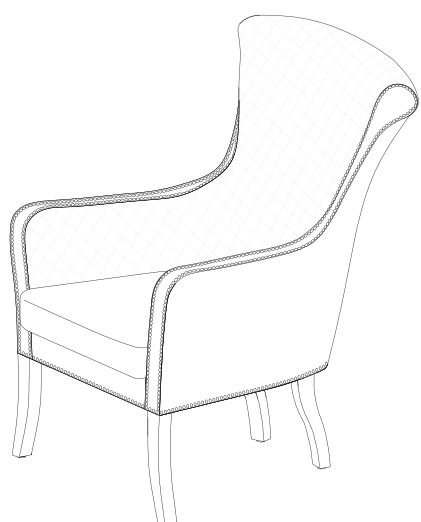




ASSEMBLY INSTRUCTION

ITEM NO:1199F11S

QUILTED ACCENT CHAIR



Thank you for purchasing this product. Please take time to read and follow the instruction below. Check that you have all parts and hardware before assembly. Parts apparently missing are often found in the packing materials. If you do not have all the parts listed, have your dealer contact us and they will be sent to you immediately.



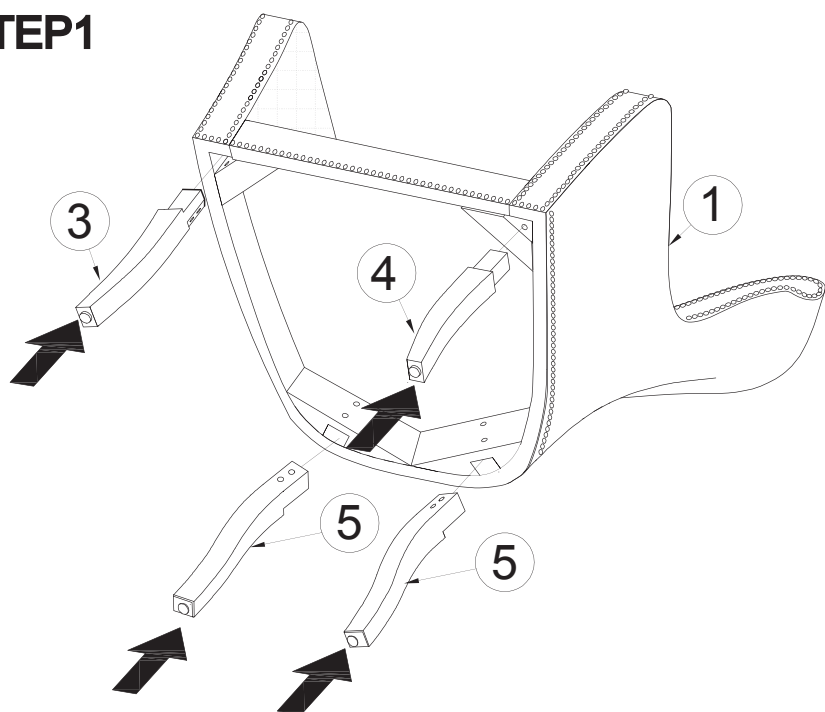
It is recommended to install protective pads under all legs and support to avoid damage or scratches when placing furniture on a wood floor or other hard surface, and to limit indentation and prevent discoloration if placing on carpet.

PARTS LIST			
No	Sketch	Description	Quantity
1		Chair	1PC
2		Seat Cushion	1PC
3		LSF Front Leg	1PC
4		RSF Front Leg	1PC
5		LSF/RSF Rear Leg	2PCS
6		Black Woven Dust Cover	1PC

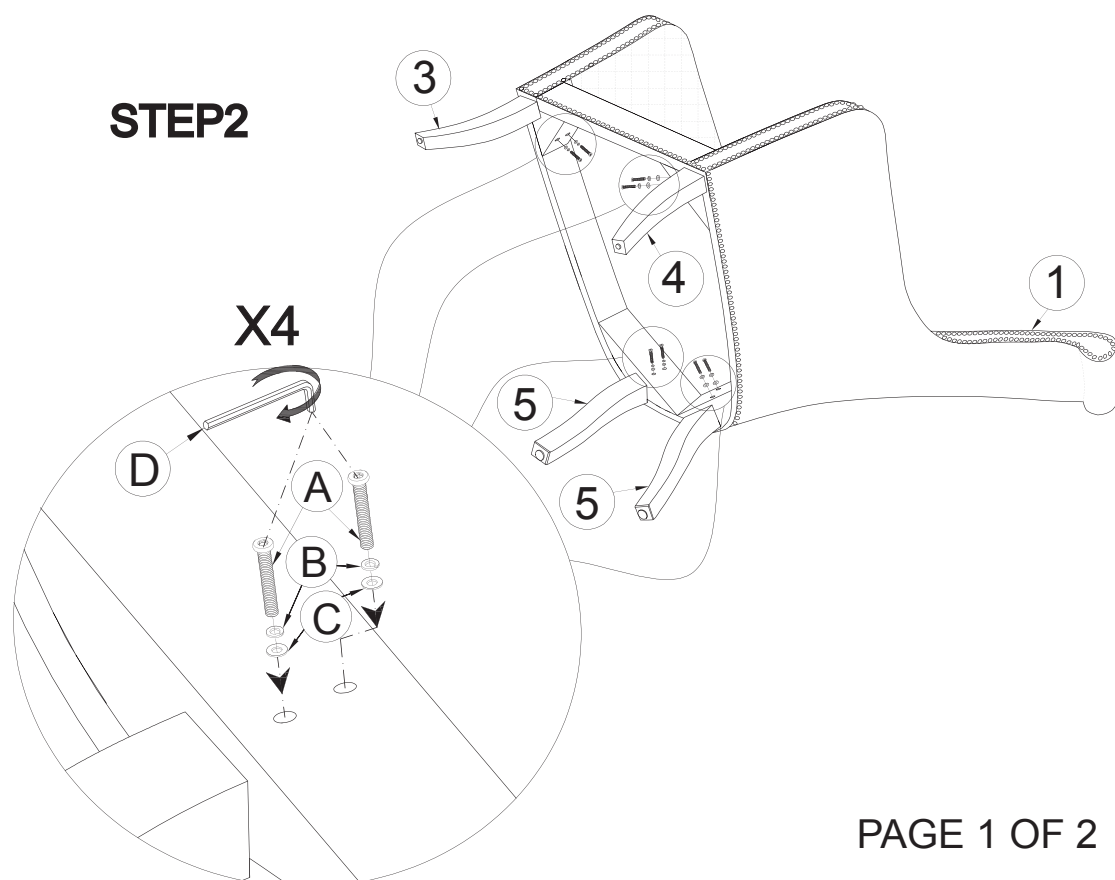
HARDWARE LIST				
No	Description	Size	Sketch	Quantity
A	Bolt	5/16"-18 x 1 - 3/4"		8PCS
B	Spring Washer	5/16"x11/32"x1/2"x1/16"		8PCS
C	Flat Washer	5/16"x11/32"x3/4"x1/16"		8PCS
D	Allen Key	5/32"		1PC

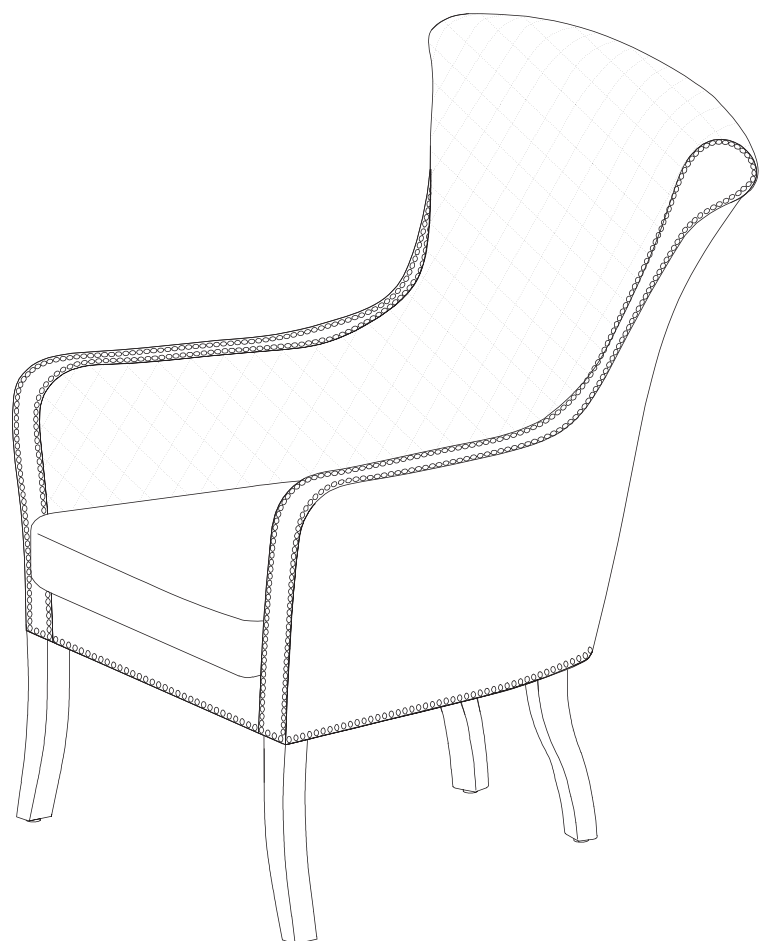
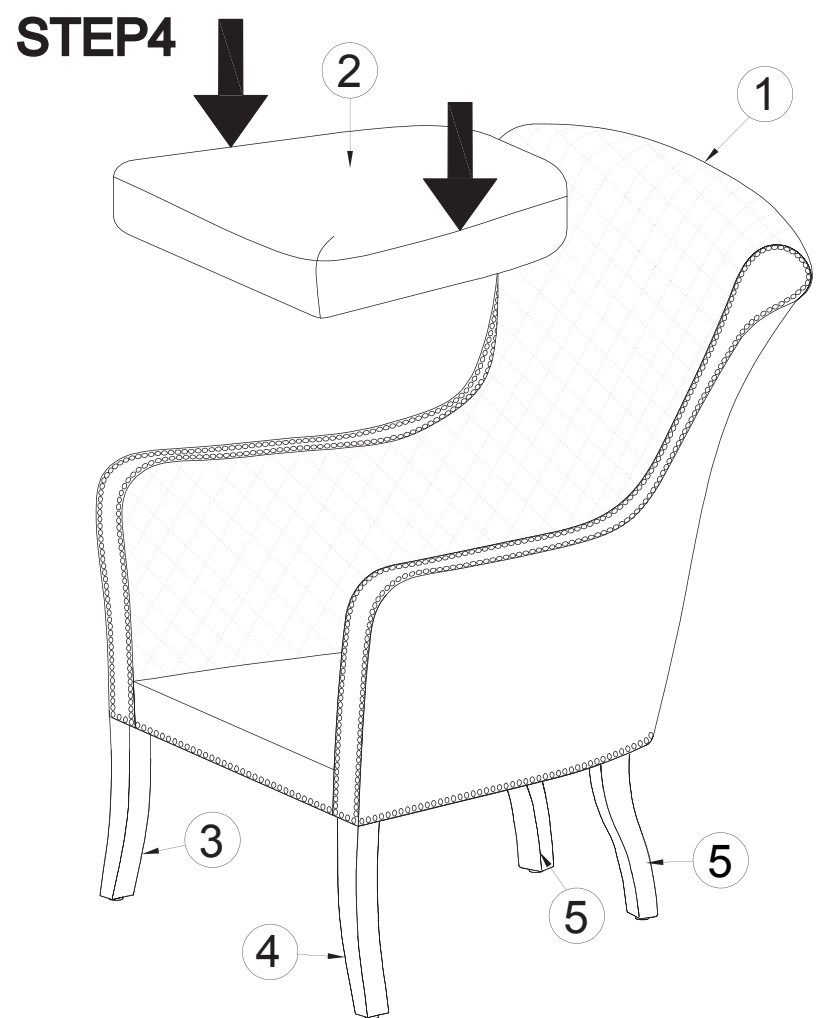
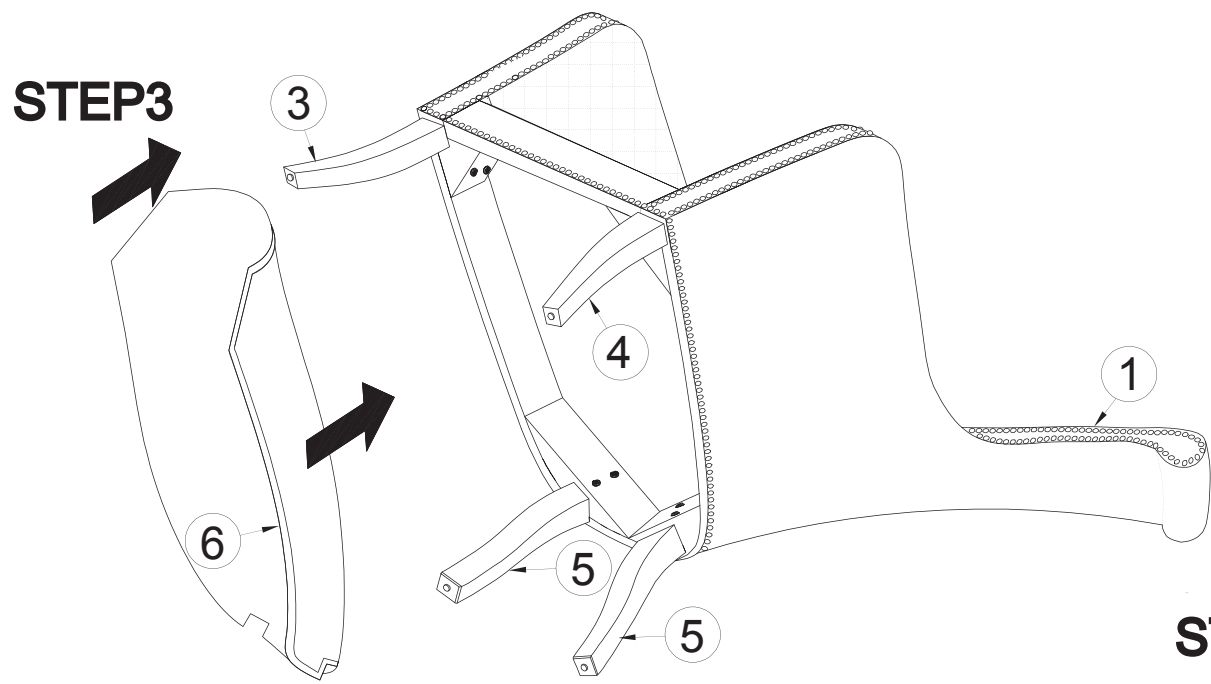
** ABOVE HARDWARE ARE PACKED IN 1199F11S FOR ASSEMBLY .

STEP1



STEP2





ASSEMBLY COMPLETED

CARE INSTRUCTION FOR FABRIC FURNITURE

In order to maintain the original appearance of your fabric furniture, please follow below care procedures:

- . Avoid exposing furniture directly to sunlight or heating and air conditioning outlets. Sunlight and / or exposure to heating and air conditioning outlets will fade/damage fabric. Do not place your upholstered furniture too close to windows, radiators, r vents and be sure to use window treatments to block the sun's rays.

- . Use soft brush to remove dust.