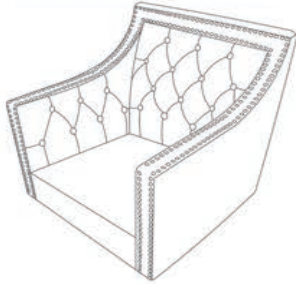
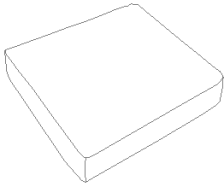
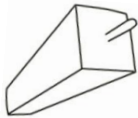
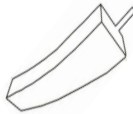



# Assembly Instruction

## ITEM NO: 1297GY/NV/YW/FG-1NN ACCENT CHAIR

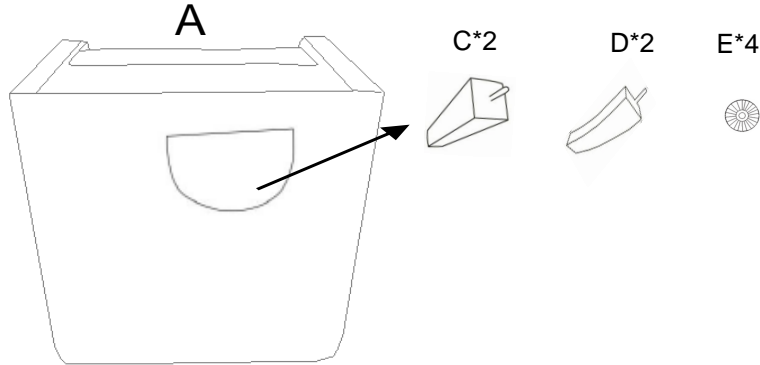
**NOTE:** Do not use power tools for assembly. Power tools increase the risk of over tightening which lead to splitting or cracking the wood.

### COMPONENT LIST

NO.	DRAWING	QTY	DESC
A		1	CHAIR
B		1	SEAT CUSHION
C		2	WOODEN STRAIGHT FRONT LEG
D		2	WOODEN CURVED REAR LEG
E		4	GASKET

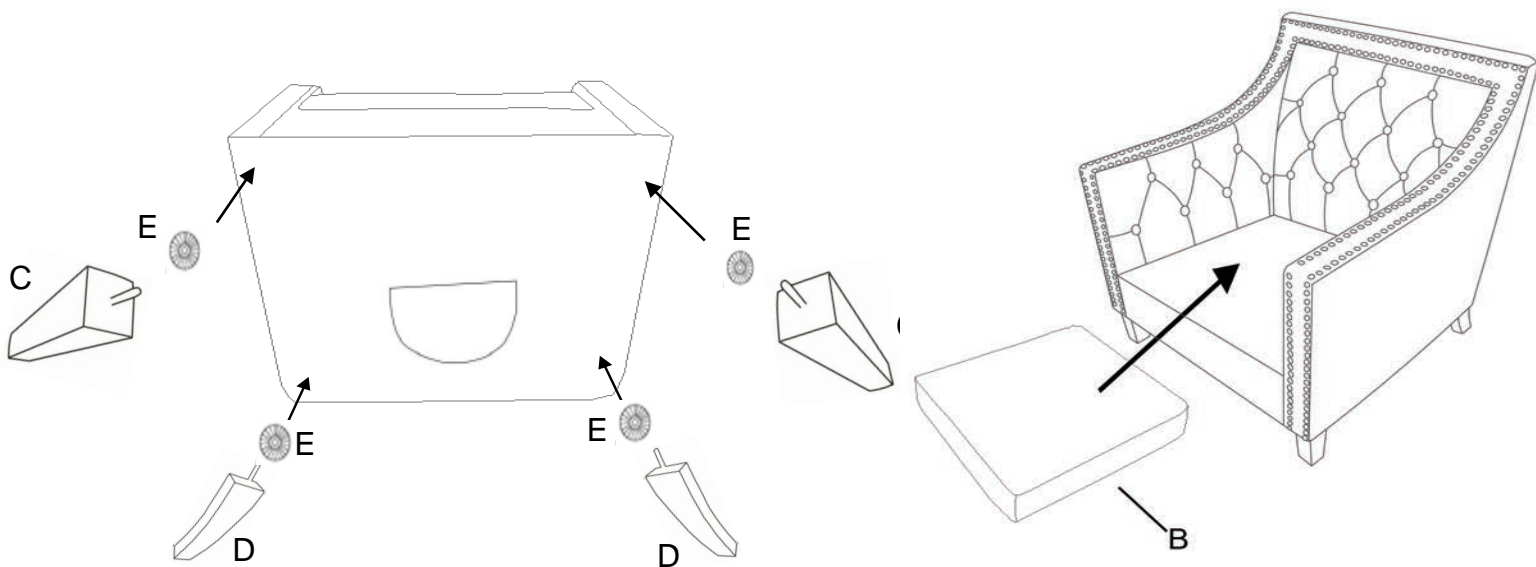
**Please follow the drawings below to assemble the chair.**

**Step 1.** Legs are stored in the non-woven bag at the bottom of the chair, please take out for assembly



**Step 2.** Insert the washer onto the top of legs, rotate the legs to tighten it. Rear leg curves must face outward

**Step 3. Completed**



**CARE INSTRUCTION FOR 100% POLYESTER FURNITURE:**

In order to maintain the original appearance of your 100% polyester furniture, please follow below care procedures:

- Avoid exposing furniture directly to sunlight or heating and air conditioning outlets. Exposure to sunlight or heating and air conditioning outlets will fade/damage 100% polyester.
- Wipe gently with a damp soft cloth to remove dust, dirt and any grime buildup.

For items use on wooden floor, hard surfaces or carpets, it is recommended to Install protective pads under all legs and supports to avoid/prevent from damages/scratches and discoloration.

