

ASSEMBLY INSTRUCTIONS

Description: Pearce Counter Stool


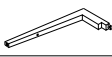

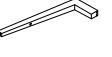
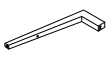

Important safety instructions:

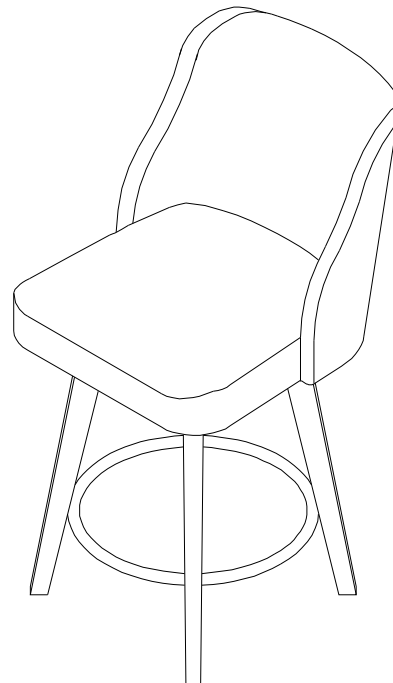
- Please read carefully all instructions before assembly.
- For your safety and ease, assembly by two or more adults is recommended.
- Keep instructions for future use.

Pre-assembly:







- Do not discard any content until assembly is complete to avoid accidentally discarding small parts or hardware.
- Take out all parts and hardware from box.

Parts List

Item	Description	QTY
P1	Chair Top 	1
P2	Leg-1  P2	1
P3	Leg-2  P3	1
P4	Leg-3  P4	1
P5	Leg-4  P5	1
P6	Stretcher 	1



Hardware List

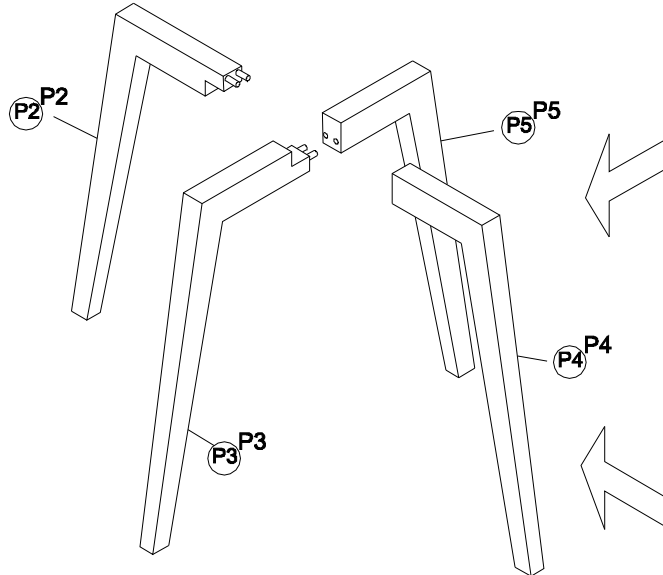
Item	Description	QTY
H1	Short Bolts Ø1/4"*1"L 	8
H2	Long Bolts Ø1/4"*1-1/4"L 	4
H3	Lock Washers 1/4" 	8
H4	Flat Washers 1/4" 	8
H5	Allen Wrench 1/4" 	1
H6	Swivel 	1

DISCLAIMER:

WHEN PROPERLY ASSEMBLED, THIS ITEM IS SAFE FOR INTENDED USE. SELLER IS NOT LIABLE FOR ANY DAMAGES RESULTING FROM ITEM BEING IMPROPERLY ASSEMBLED AFTER PURCHASE.

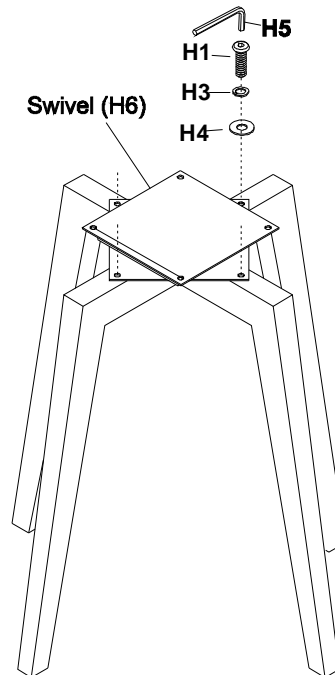
Assembly Procedures:

Step 1. Assemble the stool on a flat, soft surface such as a carpet or cloth to prevent scratching the finish. Insert legs (P2, P3) with dowel to the legs (P4, P5) according to the labels "P2", "P3", "P4", "P5" each leg (P2, P3, P4, P5) as shown below.



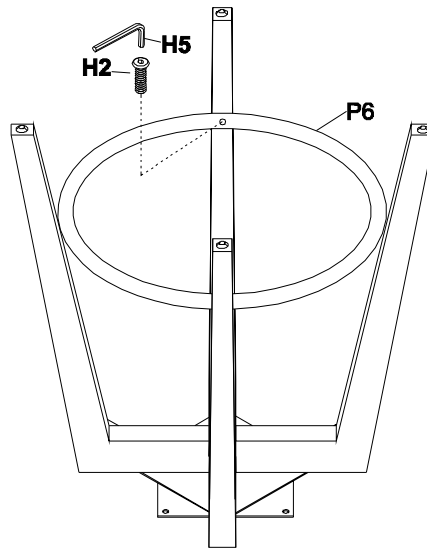
Step 2. Loosely attach the swivel (H6) to the top of assembled legs using short bolts (H1), lock washers (H3) and flat washers (H4) as shown below.

- (H1)x4 Short Bolts 
- (H3)x4 Lock Washers 
- (H4)x4 Flat Washers 
- (H5)x1 Allen Wrench 





Step 3. Loosely attach stretcher (P6) to each leg using long bolts (H2) as shown below.

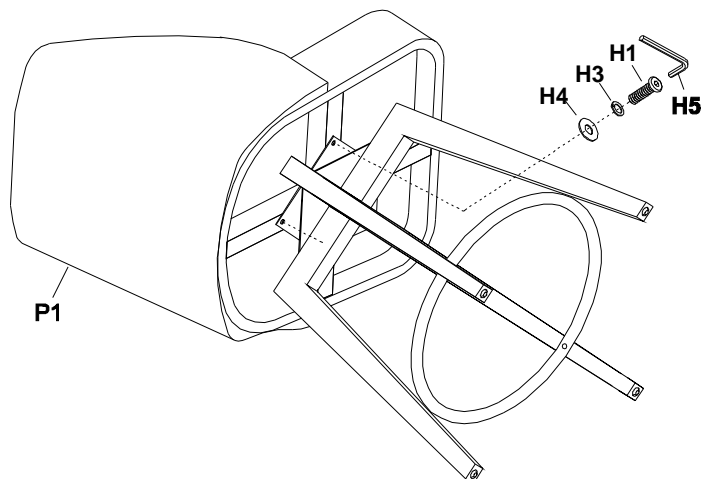
(H2)x4 Long Bolts 



Step 4.

- 1) Loosely attach the assembled base to chair top (P1) using short bolts (H1), lock washers (H3) and flat washers (H4) as shown below.
- 2) Make sure the stool is level and securely tighten all bolts with Allen wrench (H5).
- 3) Assembly is complete. **Failure to follow these instructions may cause the bolts to misalign during assembly.**

(H1)x4 Short Bolts 
(H3)x4 Lock Washers 
(H4)x4 Flat Washers 



ADDITIONAL NOTE ABOUT SAFETY: BOLTS MAY LOOSEN DURING NORMAL EVERYDAY USE. THEY SHOULD BE PERIODICALLY INSPECTED AND RE-TIGHTENED TO PREVENT DAMAGE OR INJURY. ALWAYS CHECK TO ENSURE THAT ALL HARDWARE IS KEPT TIGHTENED.

Thank you for your purchase