


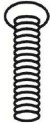


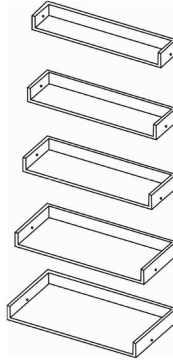
WD LEANING SHELF 69"H, 21"W

Assembly Instructions

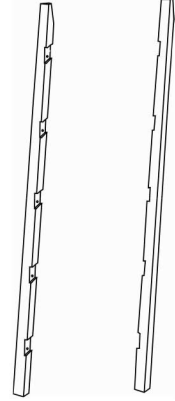
Left Upright		1 PC	Right Upright		1 PC	Shelf		5 PCS	Screw	 10PCS
--------------	---	------	---------------	---	------	-------	---	-------	-------	--

Important Note:
Unpack and lay parts on clean, padded surface like carpet or blanket. Check that you have all parts indicated on the front page.

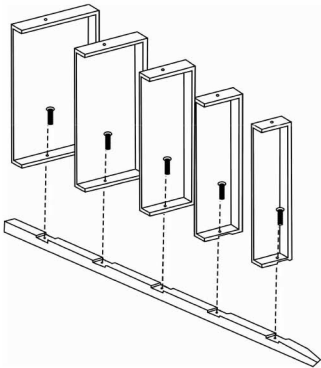
1



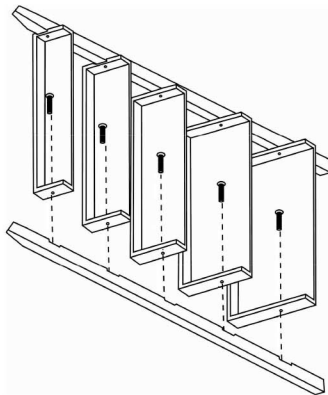
2



3



4



5

