



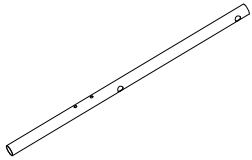
ASSEMBLY INSTRUCTION

HOME ELEGANCE

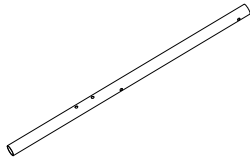
2051TBK-1

TWIN BED, BLACK

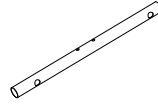
PART LIST:



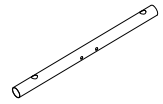
A: LSF Headboard post
x 1pc



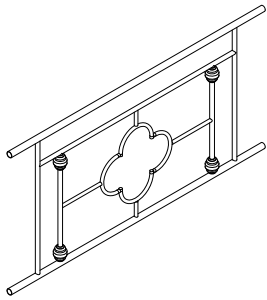
B: RSF Headboard post
x 1pc



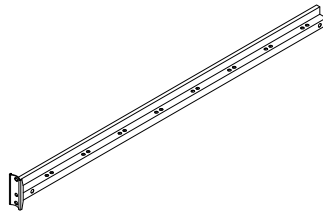
C: LSF Footboard post
x 1pc



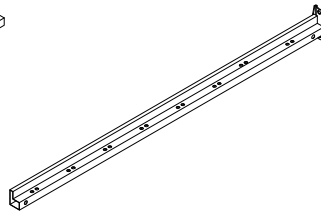
D: RSF Footboard post
x 1pc



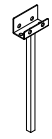
E: Headboard & Footboard Frame
x 2pcs



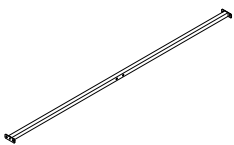
F: Rail section (1)
x 2pcs



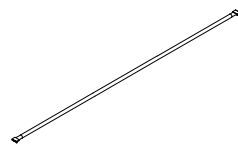
G: Rail section (2)
x 2pcs



H: Rail Support Legs
x 2pcs



J: Center support Bar
x 1pc



N: Slat with Connectors
x 16pcs



O: Finial
x 4pcs

HARDWARE LIST:



1: Bolt 1/4*46mm
x 4pcs



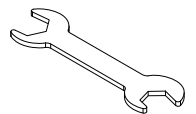
2: Bolt 1/4*16mm
x 20pcs



3: Nut
x 4pcs

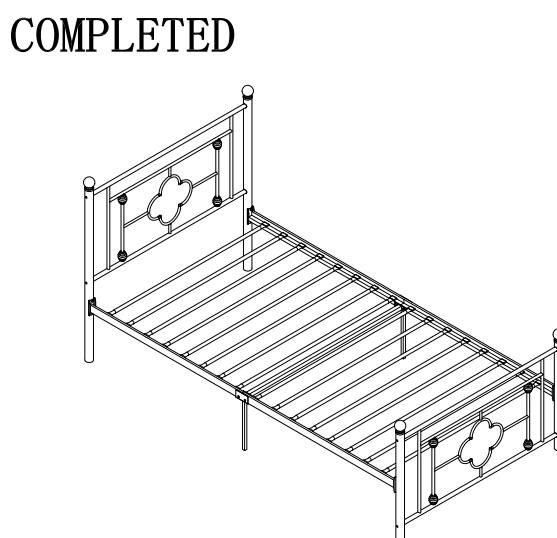
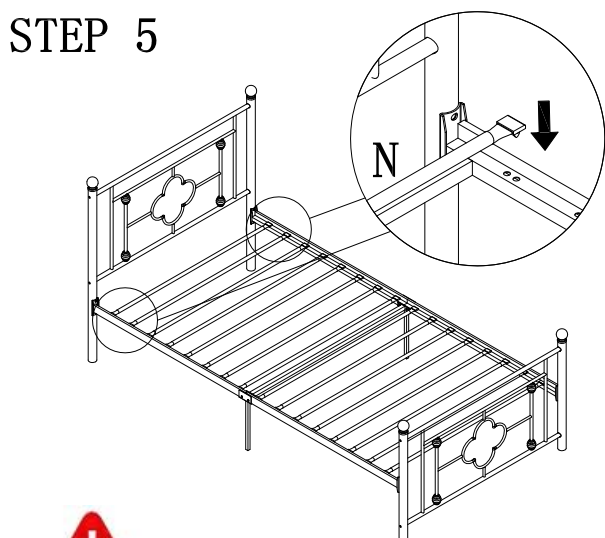
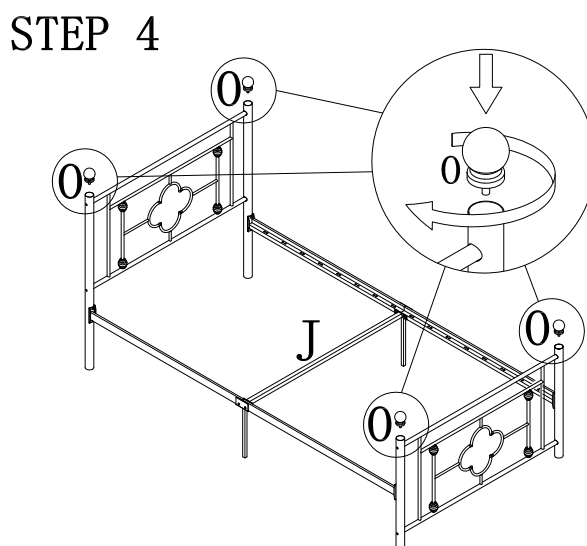
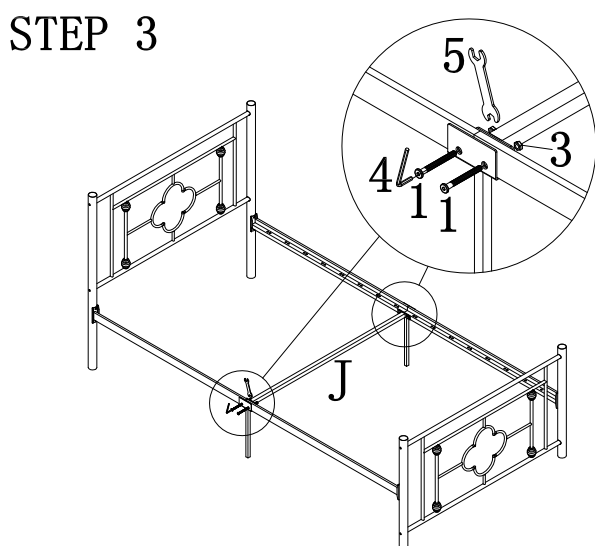
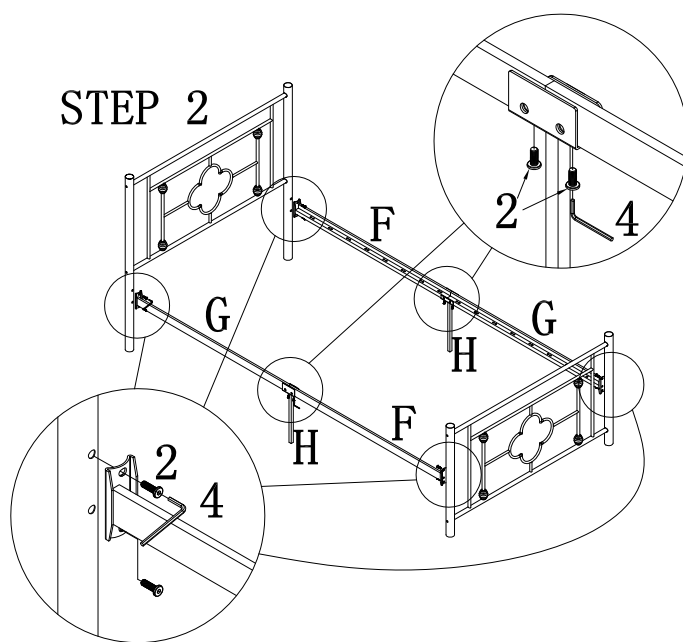
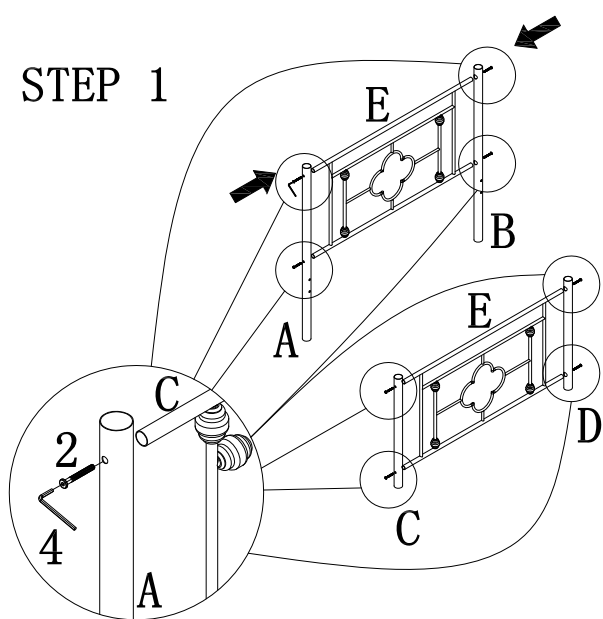


4: Allen Key
x 1pc



5: Wrench
x 1pc

Note: Please do not tighten all bolts until the bed is assembled completely.



For items use on wooden floor, hard surfaces or carpets, it is recommended to install protective pads under all legs and supports to avoid/prevent from damages/scratches and discoloration.