



LIVING SPACES

AMARI NATURAL OUTDOOR SOFA FRAME OW30036

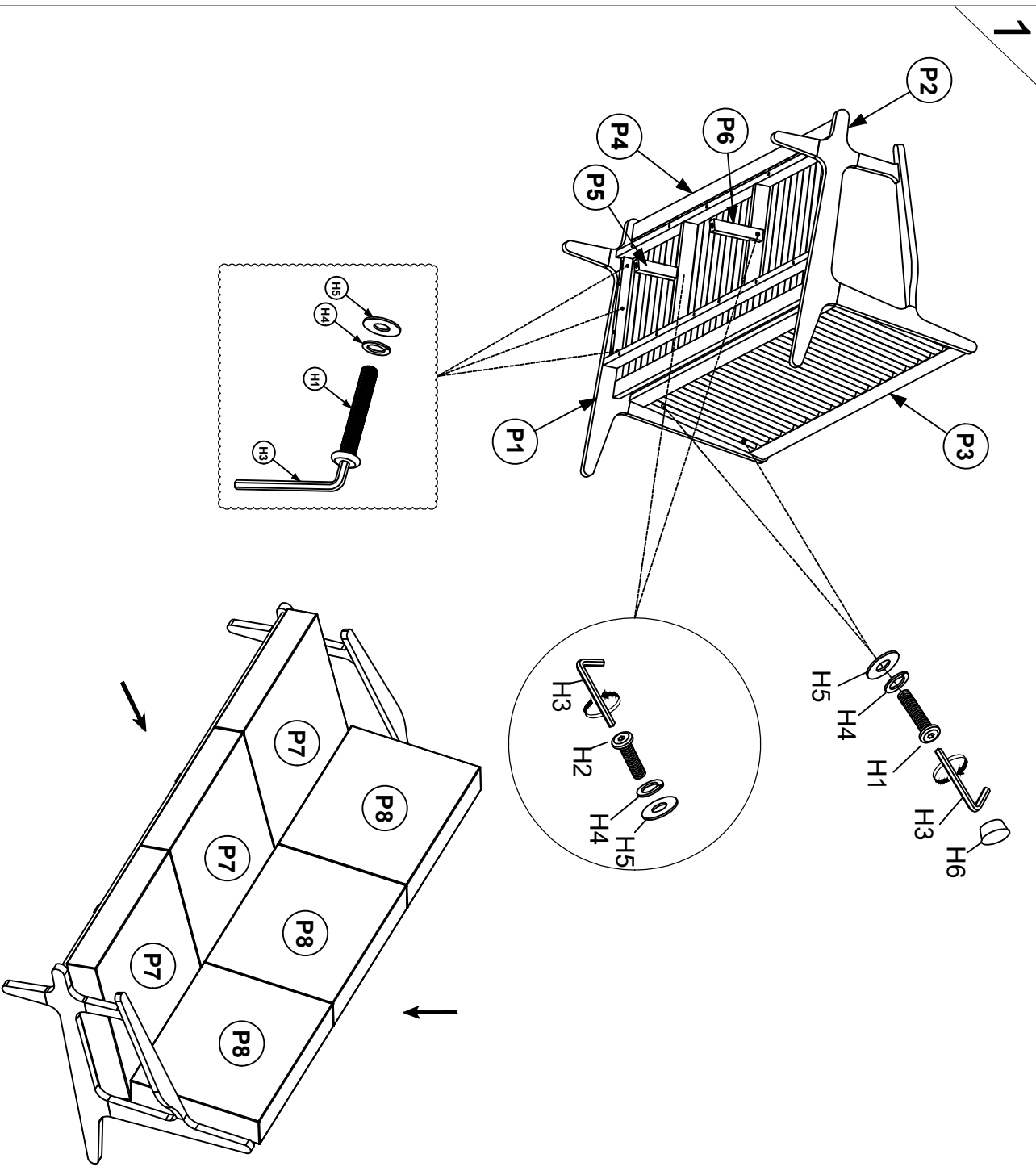
Assembly instructions:

PARTS LIST			
No.	DESCRIPTION	IMAGE	QTY
P1	LEG FRAME (LEFT)		1
P2	LEG FRAME (RIGHT)		1
P3	BACK FRAME		1
P4	SEAT FRAME		1
P5	SUPPORT LEG (LEFT)		1
P6	SUPPORT LEG (RIGHT)		1
P7	SEAT CUSHION		3
P8	BACK CUSHION		3

HARDWARE LIST			
No.	DESCRIPTION	IMAGE	QTY
H1	BOLT M6X50		10
H2	BOLT M6X35		2
H3	ALLEN KEY M4 (50x70MM)		1
H4	SPRING WASHER M6		12
H5	FLAT WASHER M6/Ø14		12
H6	WOOD PLUG		4

NOTE: PO# is located underneath/ at the back panel of each item. Please be prepared to provide this # should any claim be necessary.

CAUTION: Item is heavy. Assembly should be performed by two people.



ASSEMBLED COMPLETE

Care Instruction

Eucalyptus wood



CONSTRUCTIONS

This quality piece of furniture is made from FSC Eucalyptus. This wood comes from well managed forests. With regular maintenance you will enjoy it for years to come. Some simple steps will enable you to preserve the full beauty of the timbers.

CARE AND MAINTENANCE

The amount of care required for your timber outdoor setting is directly related to the amount of exposure to the weather. Your timber furniture has been pre oiled in the factory but we highly recommend that it should not be left to weather – once exposed to the elements for even a few months without protection your timber may develop cracks, checks (small surface cracks) as well as lose colour.

Below application periods are meant as a guide only

In fully protected environment, we recommend a clear timber oil coating two or three times a year.

In situations of full exposure to the weather we recommend you use oil with in-built UV protection, re-coating every three months.

In periods of extreme weather conditions (high levels of rain or increased hours of sun), it is recommended that you increase the maintenance. We also recommend using covers on your furniture when it is not in use or during extreme weather conditions.

PROTECTING

To protect your timber furniture, we recommend that during the winter period-and when not in use you store the furniture in a sheltered area or place or use a water proof cover you furniture for protection. Don't put your furniture in water logged areas of your garden.

WARRANTY EXCLUSIONS

Warranty does not cover

- Fading due to weather exposure
- Damage to the furniture through accident misuse, shipping and unreasonable handling or failure to provide proper care and maintenance for the products,