



LIVING SPACES

MARTINIQUE OUTDOOR DINING SIDE CHAIR

16C065A-KD

267634

Assembly Instruction

Parts List:

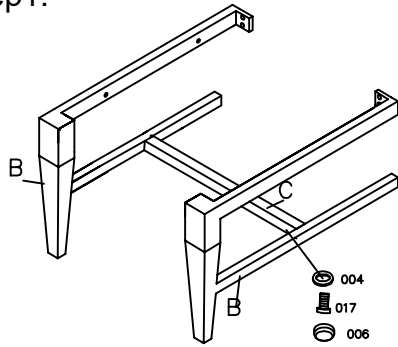
REF.	PART NAME	PART IMAGE	Q'TY
A	Seat frame		1
B	Leg base		2
C	Connecting link		1
D	Back frame		1
F	Cushion		1

Hardware List:

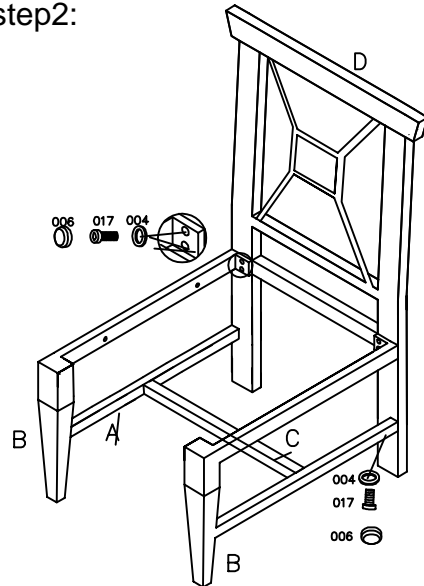
REF.	DESCRIPTION	IMAGE	Q'TY
017	Bolt M6*15		8
095	Bolt M6*30		4
004	Metal washer (M6,ID6.5,OD12)		12
006	Plastic bolt cap		12
001	Allen wrench (M6)		1

Diagram :

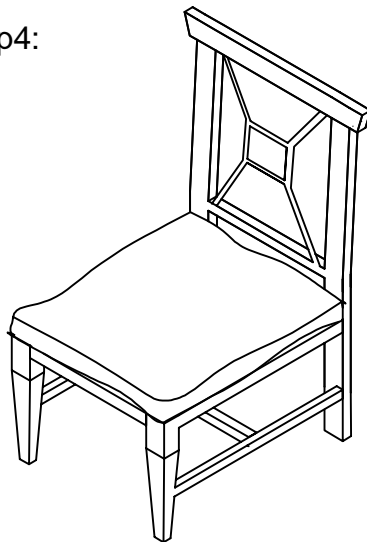
step1:



step2:



step4:



step3:

