

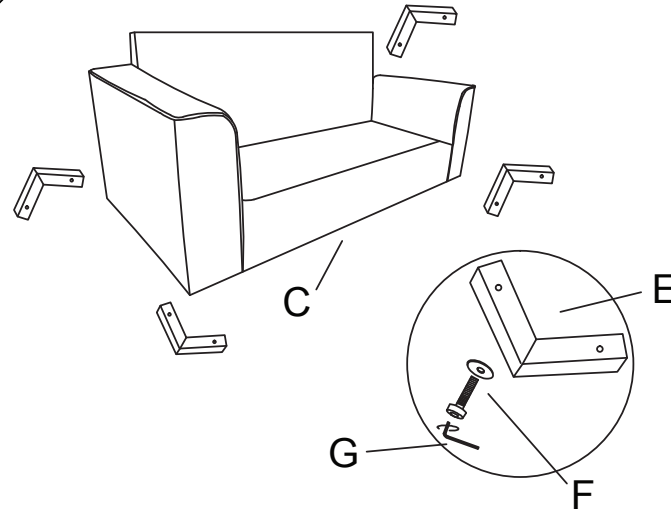
PARTS LIST

No.	DESCRIPTION	IMAGE	Q'TY
A	LEFT BACK		1
B	RIGHT BACK		1
C	SEAT		1
D	SEAT CUSHION		2
E	LEG		4
F	SCREW & WASHER		8
G	WRENCH		1

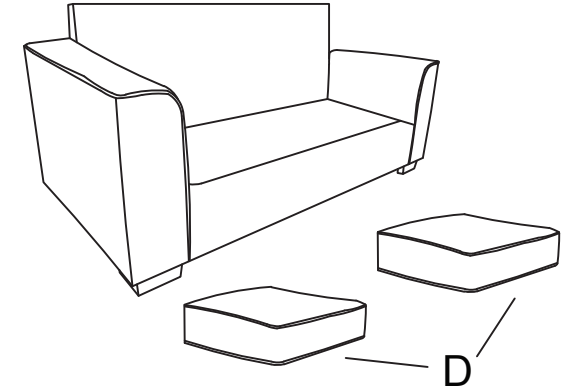
NOTE: PO # is located underneath/ at the back side of each item. Please be prepared to provide this # should any claim be necessary.

CAUTION: Item is heavy. Assembly should be performed by two people.

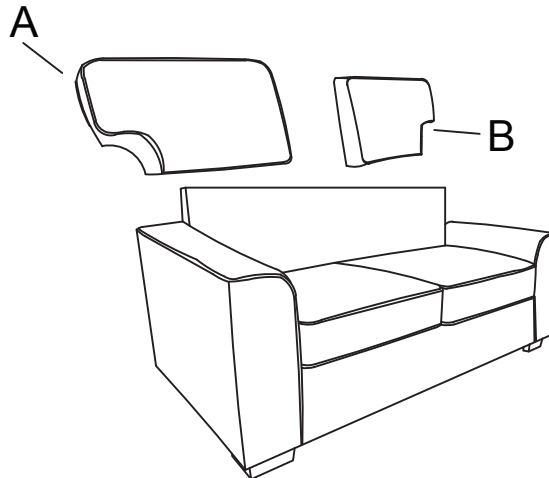
1



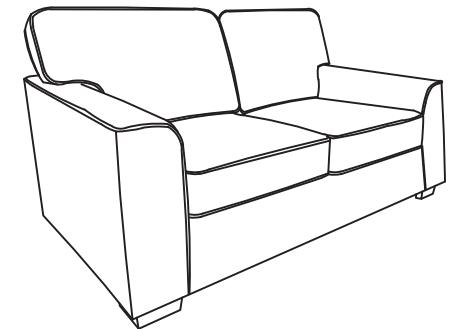
2



3



4



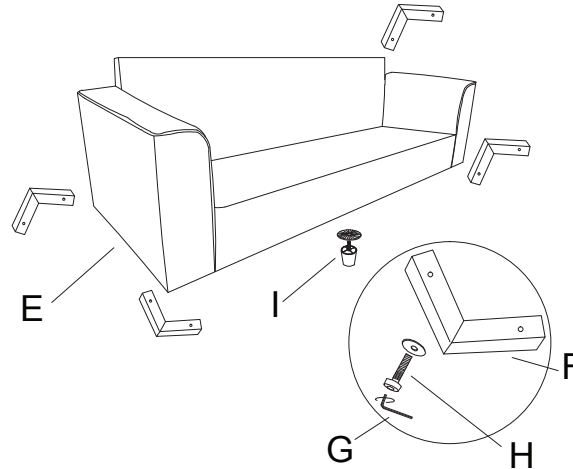
PARTS LIST

No.	DESCRIPTION	IMAGE	Q'TY
A	LEFT BACK		1
B	MIDDLE BACK		1
C	RIGHT BACK		1
D	SEAT CUSHION		3
E	SEAT		1
F	LEG		4
G	WRENCH		1
H	SCREW & WASHER		8
I	FOOT		1

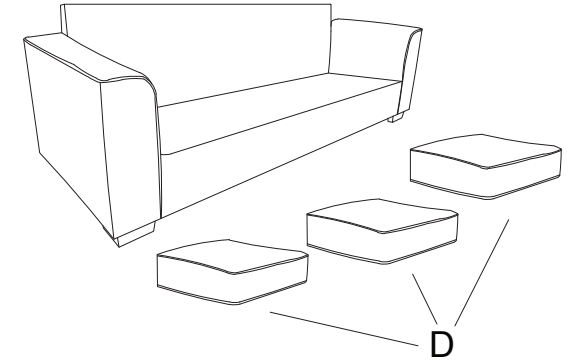
NOTE: PO # is located underneath/ at the back side of each item. Please be prepared to provide this # should any claim be necessary.

CAUTION: Item is heavy. Assembly should be performed by two people.

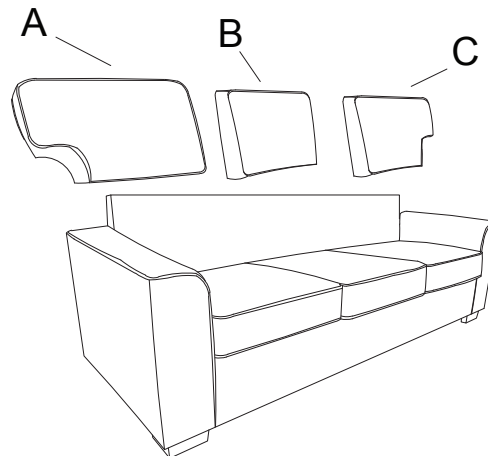
1



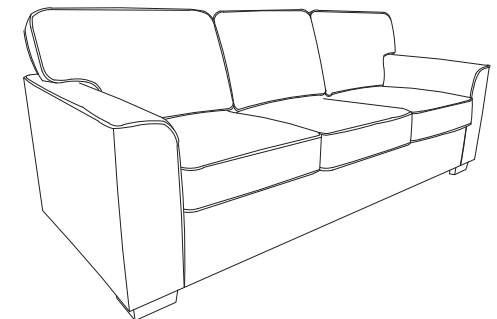
2



3



4



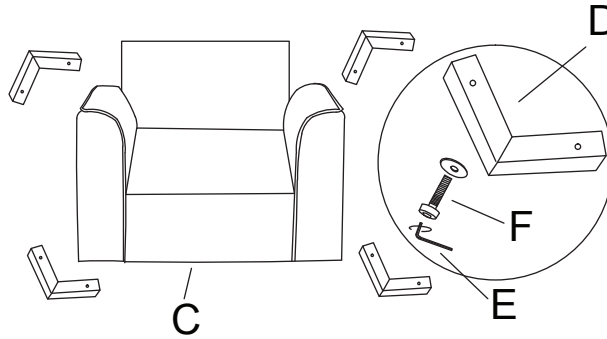
PARTS LIST

No.	DESCRIPTION	IMAGE	Q'TY
A	BACK		1
B	SEAT CUSHION		1
C	SEAT		1
D	LEG		4
E	WRENCH		1
F	SCREW & WASHER		8

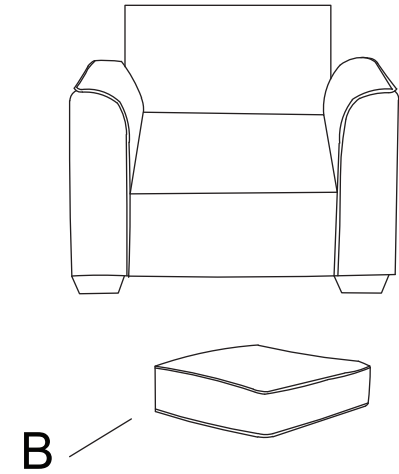
NOTE: PO # is located underneath/ at the back side of each item. Please be prepared to provide this # should any claim be necessary.

CAUTION: Item is heavy. Assembly should be performed by two people.

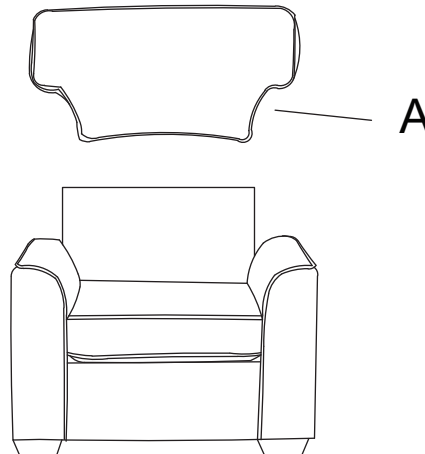
1



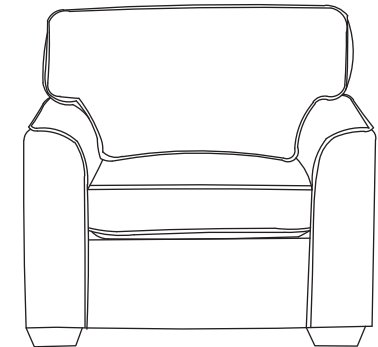
2







3



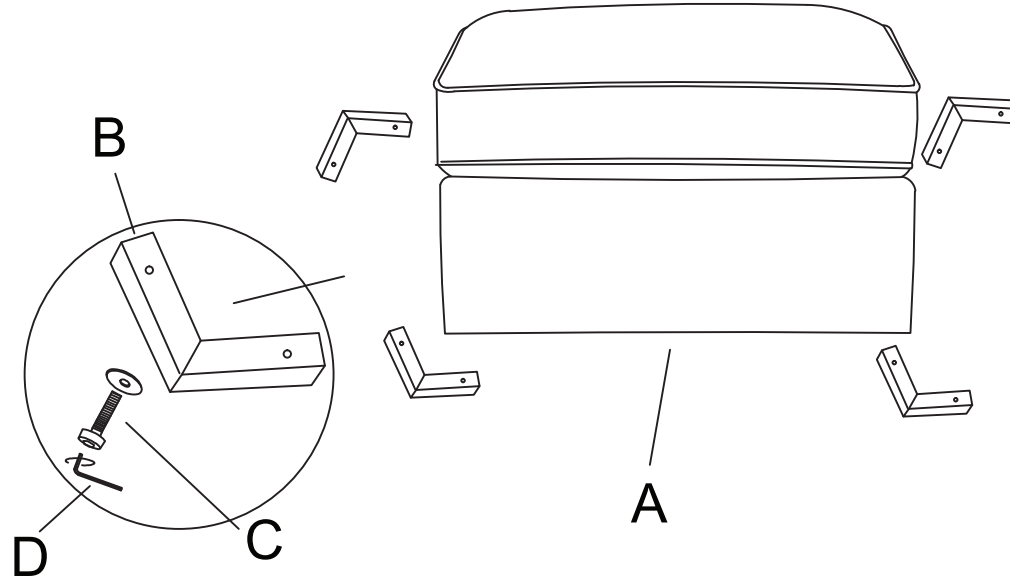
4



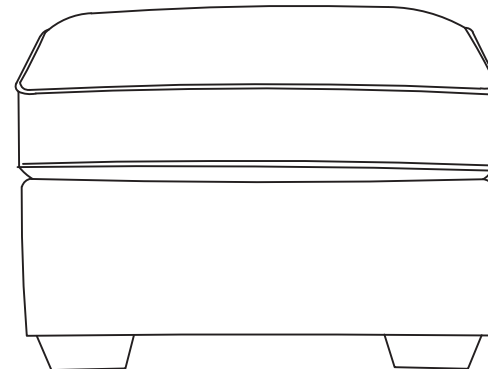
PARTS LIST

No.	DESCRIPTION	IMAGE	Q'TY
A	OTTOMAN		1
B	LEG		4
C	SCREW & WASHER		8
D	WRENCH		1

1



2



NOTE: PO # is located underneath/ at the back side of each item. Please be prepared to provide this # should any claim be necessary.

CAUTION: Item is heavy. Assembly should be performed by two people.