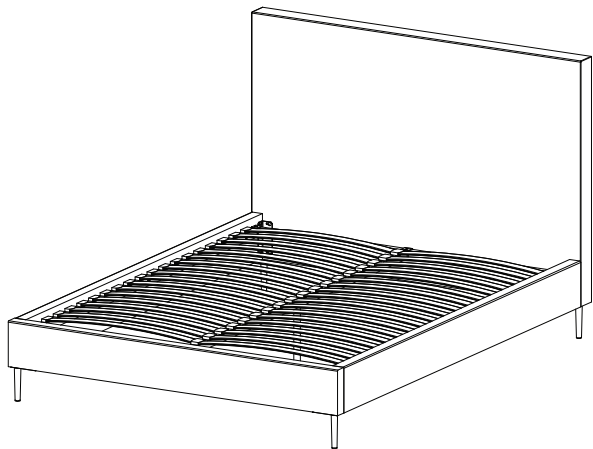
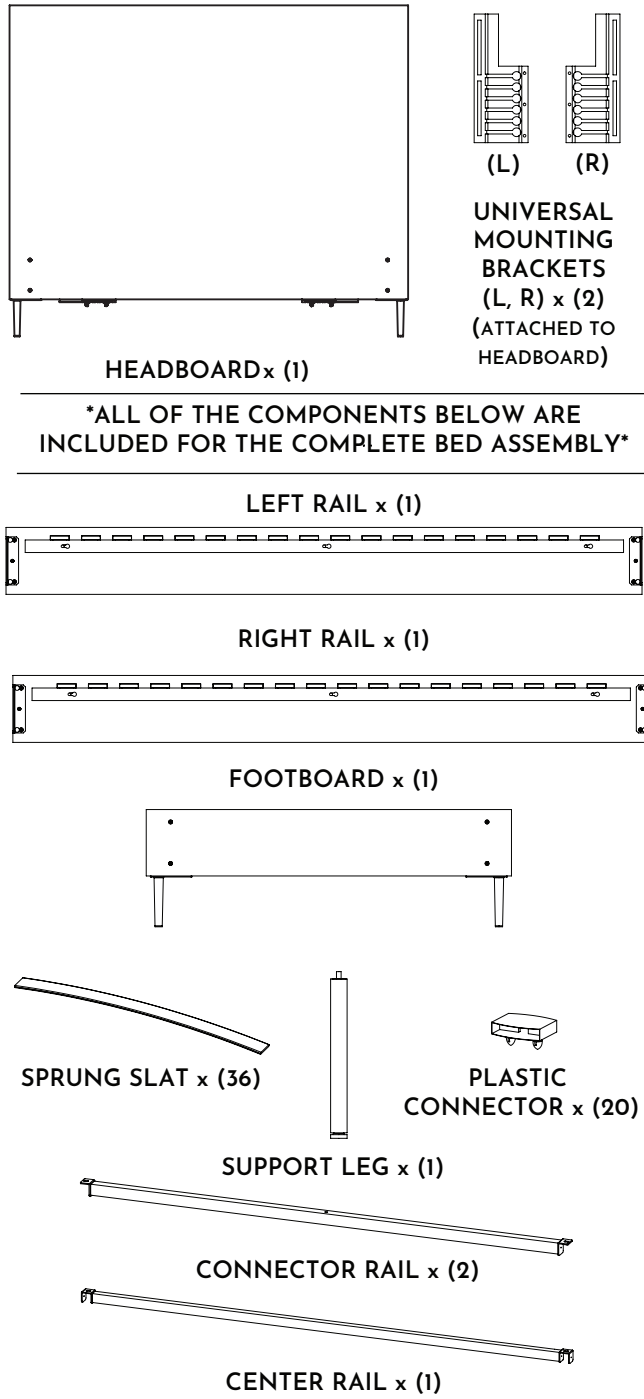


BED ASSEMBLY MANUAL



COMPONENTS (QTY)

*NOT TO SCALE



INCLUDED HARDWARE (QTY)

This hardware will be attached to the Universal Mounting Brackets under the headboard

KEEPS LOCK NUT x (4)

CARRIAGE BOLT x (4)

ALL OF THE HARDWARE BELOW IS INCLUDED FOR THE COMPLETE BED ASSEMBLY

A. PHILLIPS FLAT HEAD BOLT x (6)

B. MEMORY HEX NUT x (6)

D. PHILLIPS ROUND HEAD SCREW x (4)

C. RATCHET TOOL

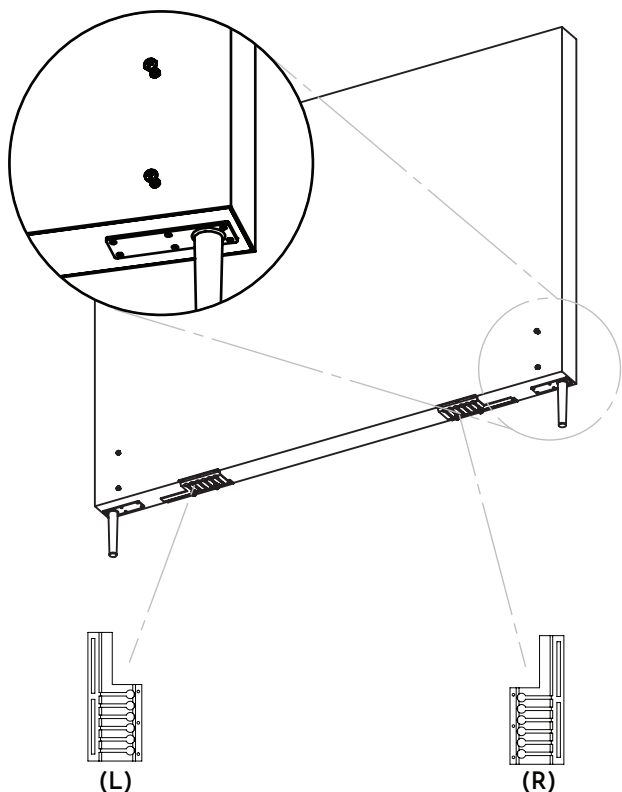
RECOMMENDED TOOLS

- #2 PHILLIPS SCREWDRIVER
- or
- POWER DRILL WITH A #2 PHILLIPS BIT
- RATCHET TOOL OR WRENCH

BED ASSEMBLY NOTES

- Proper assembly of this item requires Two adults.
- Unpack and check all contents before Assembly.
- To avoid damage to the fabric, please Assemble this item on a soft surface, such as carpet or cardboard.

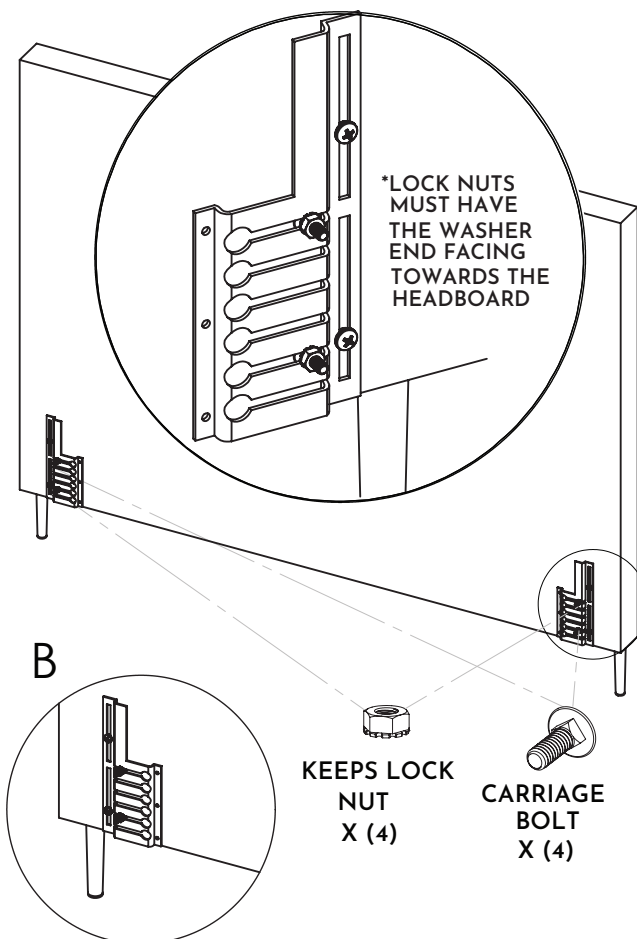
HEADBOARD ONLY ASSEMBLY INSTRUCTIONS



STEP 1

- REMOVE THE UNIVERSAL MOUNTING BRACKETS (L, R) FROM THE UNDERSIDE OF THE HEADBOARD.

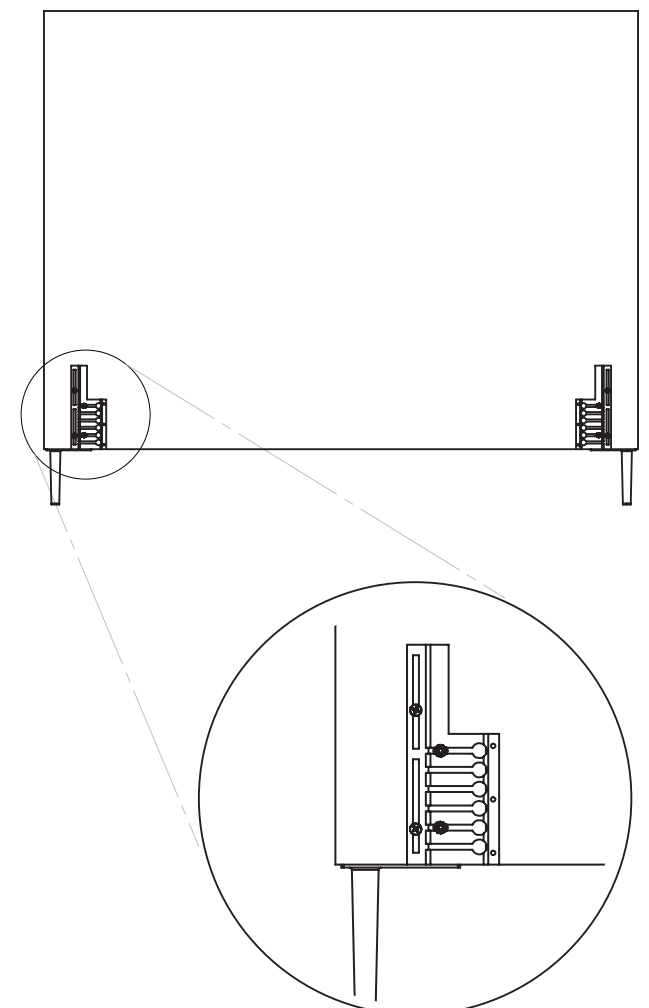
- REMOVE THE PRE-INSTALLED SCREWS FROM THE HEADBOARD.



STEP 2

- USE THE SCREWS REMOVED FROM THE HEADBOARD IN **STEP 1** TO SECURE THE UNIVERSAL MOUNTING BRACKETS TO THE HEADBOARD.

- MOUNTING HEIGHT OF BRACKETS MAY DIFFER DEPENDING ON BED FRAME HEIGHT. (FIG. B)

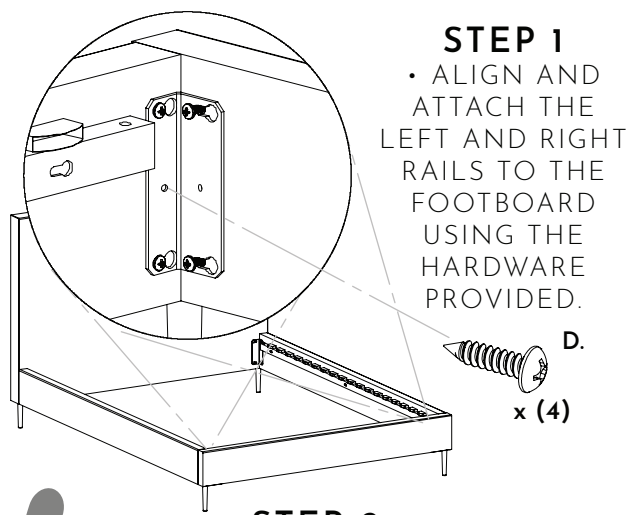


STEP 3

- MOUNT YOUR NEW HEADBOARD TO YOUR EXISTING BED FRAME.

COMPLETE BED ASSEMBLY INSTRUCTIONS ON OPPOSITE PAGE →

COMPLETE BED ASSEMBLY INSTRUCTIONS



STEP 1

- ALIGN AND ATTACH THE LEFT AND RIGHT RAILS TO THE FOOTBOARD USING THE HARDWARE PROVIDED.

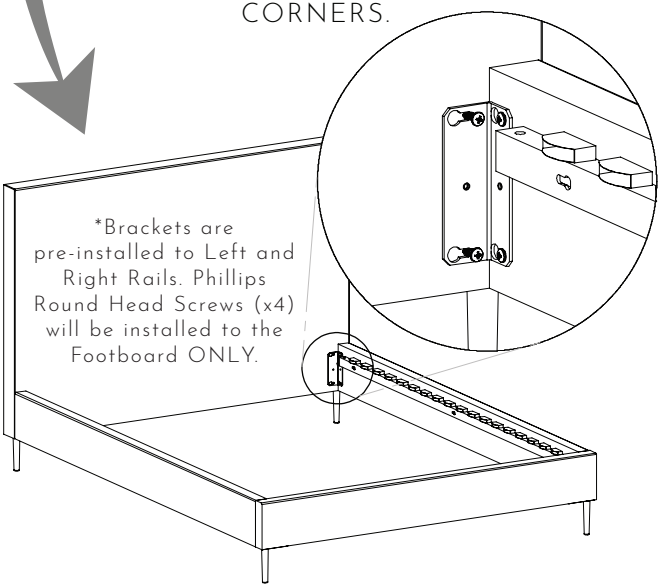
D.
x (4)

STEP 2

- ALIGN AND SLIDE THE BRACKET ONTO SCREWS ATTACHED TO THE HEADBOARD AND FOOTBOARD.

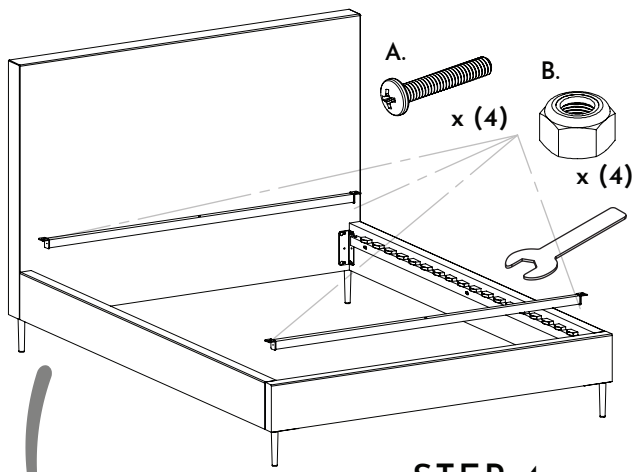
- TIGHTEN ALL SCREWS WITH A #2 PHILLIPS SCREWDRIVER.

- REPEAT FOR ALL FOUR CORNERS.



- ## STEP 3
- THE BED IS NOW READY FOR THE PLACEMENT OF THE CONNECTOR RAILS.

- PLACE EACH CONNECTOR RAIL AT THE ENDS OF THE BRACKETS PRE-INSTALLED TO THE RIGHT AND LEFT RAILS, AND USE THE BOLTS & RATCHET PROVIDED TO TIGHTEN EACH END INTO PLACE.

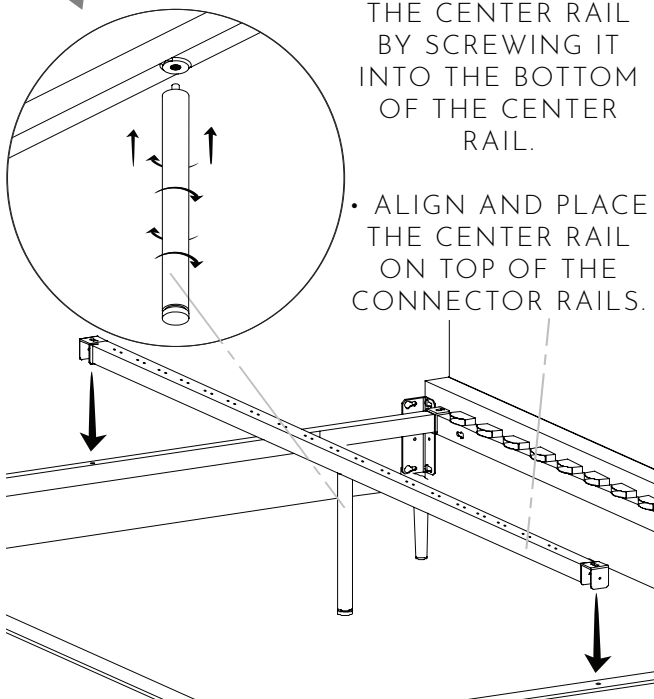


A. x (4)
B. x (4)

STEP 4

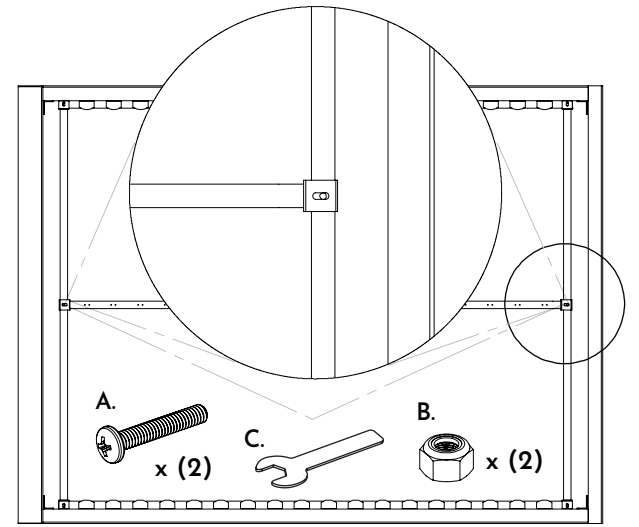
- ATTACH THE SUPPORT LEG TO THE CENTER RAIL BY SCREWING IT INTO THE BOTTOM OF THE CENTER RAIL.

- ALIGN AND PLACE THE CENTER RAIL ON TOP OF THE CONNECTOR RAILS.



- ## STEP 5
- ALIGN THE HOLES ON THE ENDS OF THE CENTER RAIL WITH THE CENTER HOLES ON THE CONNECTOR RAILS.

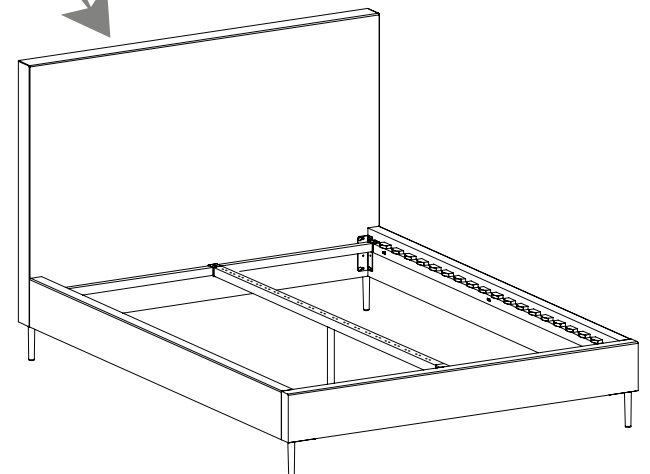
- USE THE RATCHET TOOL TO SECURE THE NUT FROM THE UNDERSIDE OF THE RAILS, AND SCREW THE BOLTS IN FROM THE TOP.



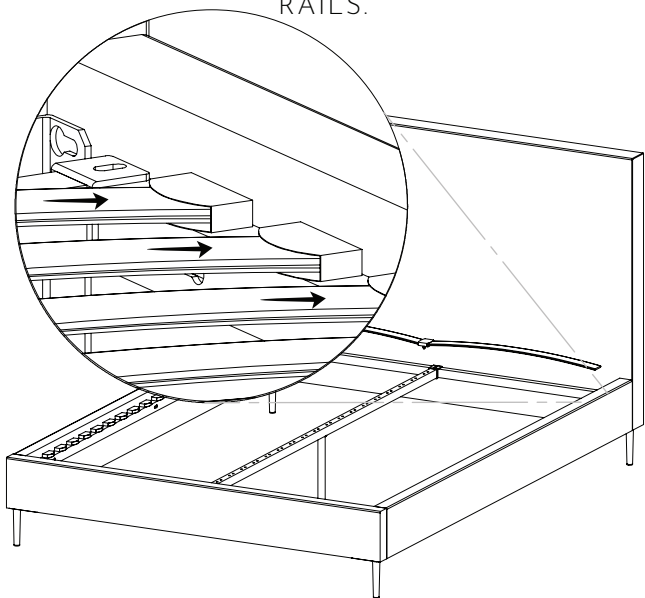
A. x (2)
C. x (2)
B. x (2)

STEP 6

- NOW THAT THE CONNECTOR RAILS AND CENTER RAIL HAVE BEEN SECURED WE CAN MOVE ON TO THE PLACEMENT OF THE SPRUNG SLATS.

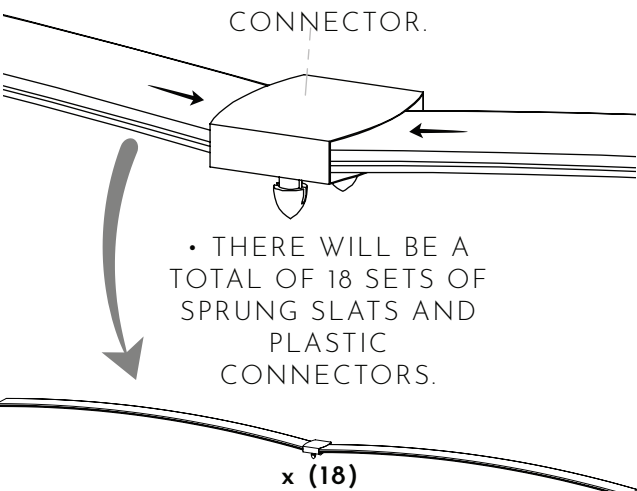


- ## STEP 7
- FIT EACH END OF THE SPRUNG SLAT ASSEMBLIES INTO THE PLASTIC CONNECTORS ATTACHED TO THE SIDE RAILS.



STEP 8

- FIT A SPRUNG SLAT INTO EACH END OF A PLASTIC CONNECTOR.



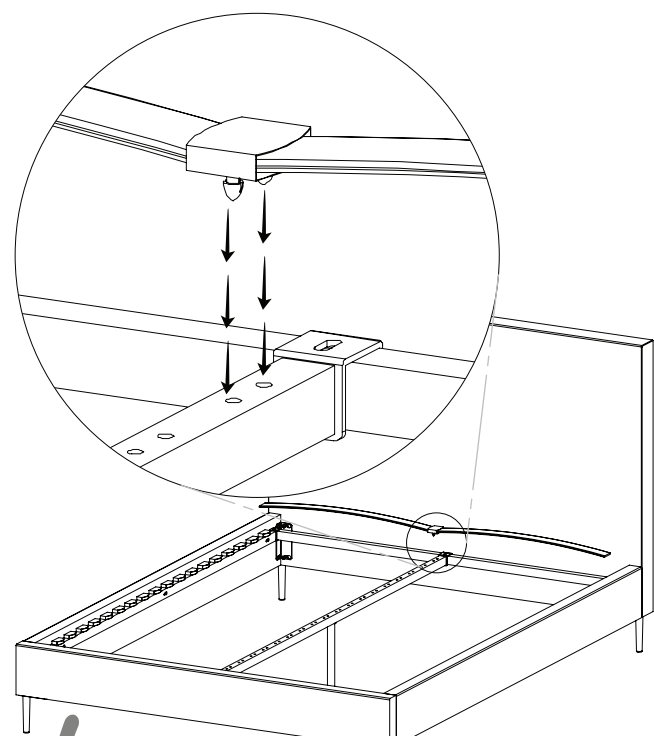
- THERE WILL BE A TOTAL OF 18 SETS OF SPRUNG SLATS AND PLASTIC CONNECTORS.

x (18)

NOTE

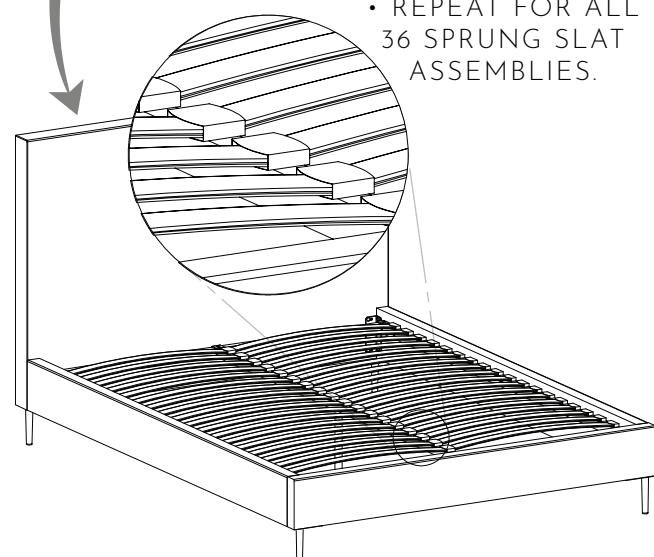
- FOR STEPS 8-10 START FROM THE HEADBOARD END AND FINISH WITH THOSE CLOSEST TO THE FOOTBOARD.

- ## STEP 9
- ONCE EACH END OF THE SPRUNG SLAT ASSEMBLY IS IN ITS SLOT, ALIGN AND PRESS DOWN ON THE CENTER OF THE PLASTIC CONNECTOR TO SNAP IT IN PLACE.

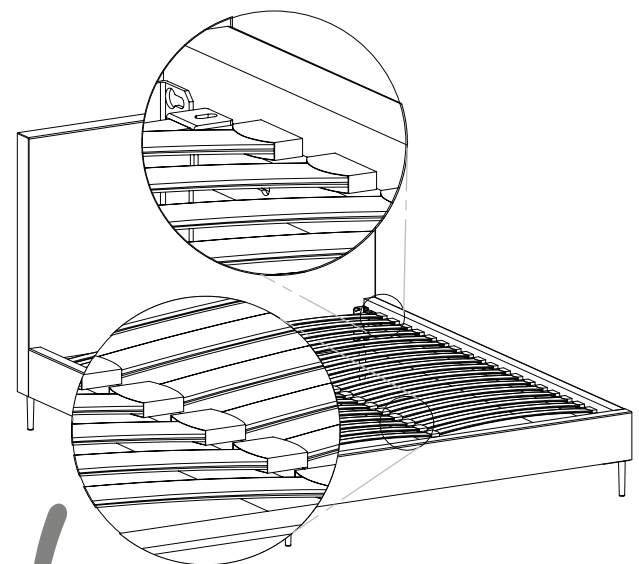


STEP 10

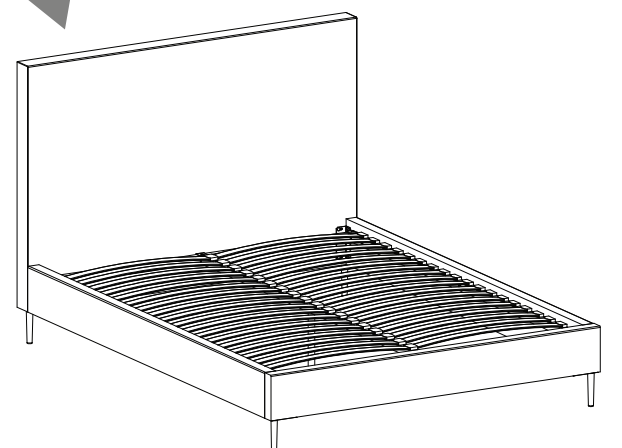
- REPEAT FOR ALL 36 SPRUNG SLAT ASSEMBLIES.



- ## STEP 11
- AFTER SECURELY PLACING THE SPRUNG SLATS, THERE WILL BE A BIT OF TOLERANCE FOR THE SPRUNG SLAT TO EXTEND DURING USE.



- THE ASSEMBLY OF THE BED SHOULD NOW BE COMPLETE.



ENJOY YOUR FURNITURE!

Assembly questions? Email us at jlquality@jonathanlouis.com

V10 - 10/03/2022