



ASSEMBLY INSTRUCTION

5606-31 3PC PACK OCCASIONAL TABLE SET

PART LIST

A



End Table Top

1PC

B



End table Center Leg

1PC

C



End Table Side Leg

2PCS

D



End Table Base

1PC

E



Cocktail Table Top

1PC

F



Cocktail Center Leg

1PC

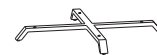
G



Cocktail Side Leg

2PCS

H



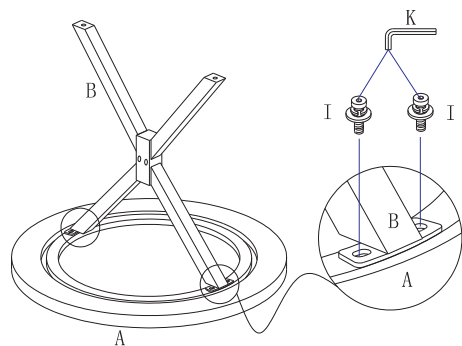
Cocktail Base

1PC

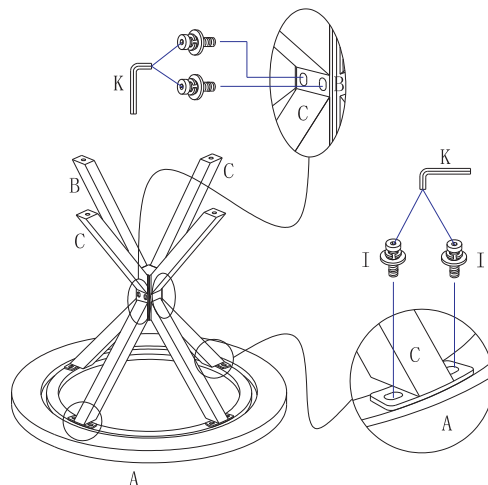
HARDWARE LIST

I		Bolt with Lock Washer and Flat Washer	1/4"X20mm	36pcs
J		Bolt with Lock Washer and Flat Washer	1/4"X35mm	12pcs
K		L-Allen Key	4mm	1pc

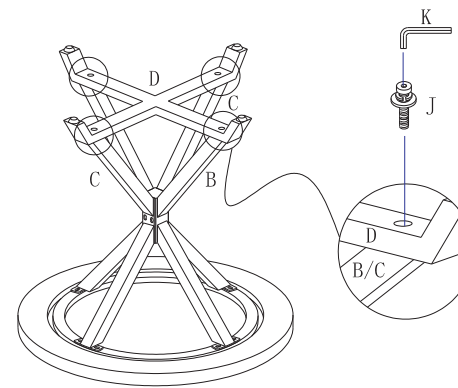
End table
STEP 1



STEP 2



STEP 3



STEP 4



⚠ For items use on wooden floor, hard surfaces or carpets, it is recommended to Install protective pads under all legs and supports to avoid/prevent from damages/scratches and discoloration.



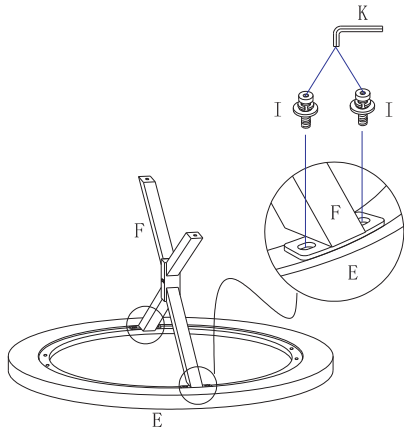
PART LIST

ASSEMBLY INSTRUCTION

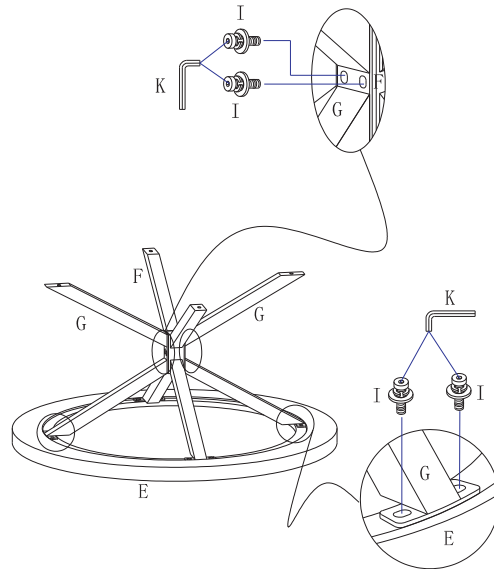
5606-31 3PC PACK OCCASIONAL TABLE SET

Cocktail table

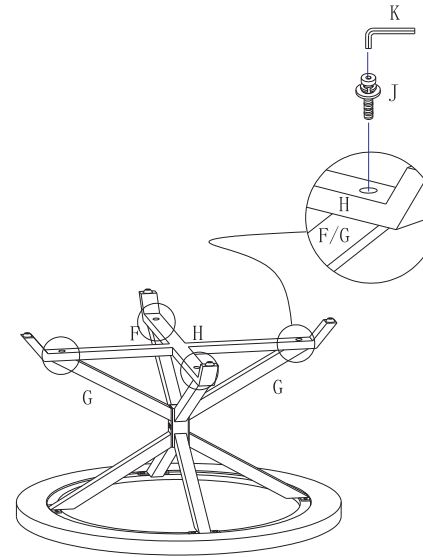
STEP 5



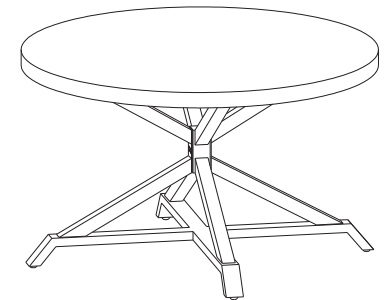
STEP 6




STEP 7



STEP 8



 For items use on wooden floor, hard surfaces or carpets, it is recommended to Install protective pads under all legs and supports to avoid/prevent from damages/scratches and discoloration.