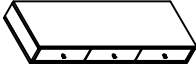
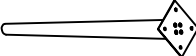






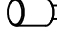

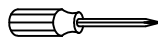
MADISON **PARK** RIGBY 3 DRAWER WRITING DESK

Assembly instructions:

PARTS LIST

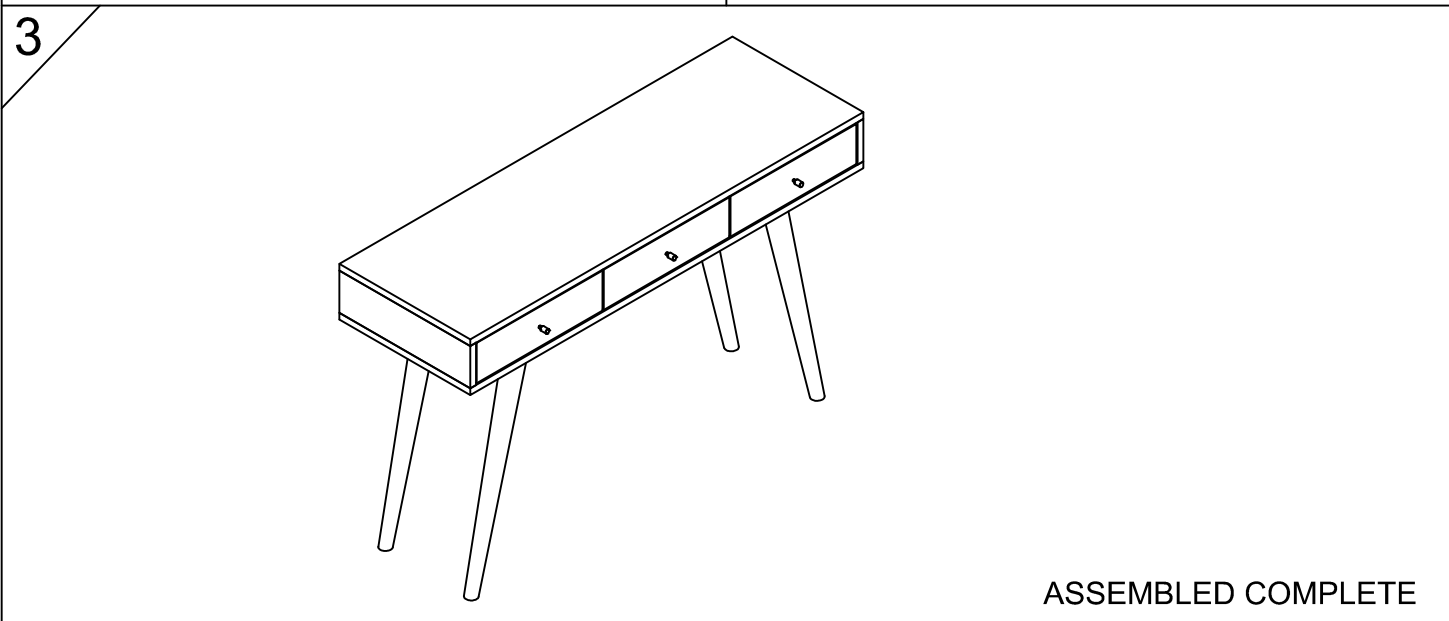
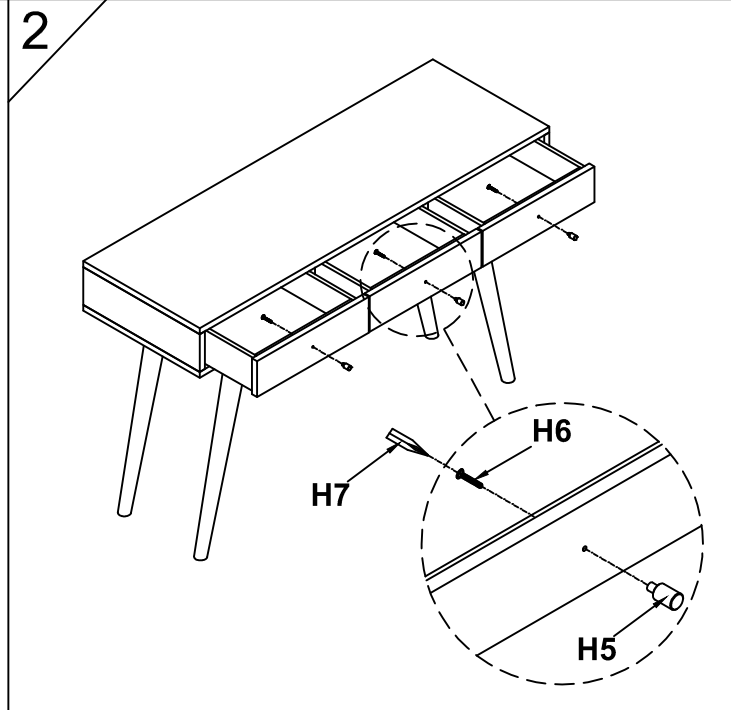
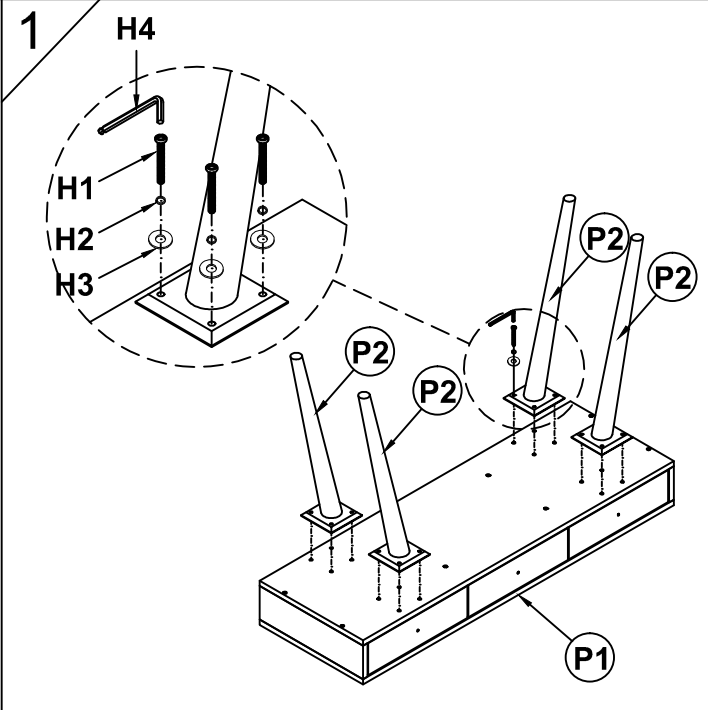
No.	DESCRIPTION	IMAGE	QTY
P1	BODY		1
P2	LEG		4

HARDWARE LIST

No.	DESCRIPTION	IMAGE	QTY
H1	Bolt 1/4"x30mm		16
H2	Spring Washer		16
H3	Flat Washer		16
H4	Allen Key		1
H5	Metal Knob		3
H6	Knob Screw		3
H7	Screw Driver		Not Provided

NOTE: PO# is located underneath/ inside of each item. Please be prepared to provide this # should any claim be necessary.

CAUTION: Item is heavy assembly should be performed by two people.



ASSEMBLED COMPLETE