

Headboard hardware located in velcro pouch in back of headboard.

Footboard hardware located in one end of the footboard/siderails.

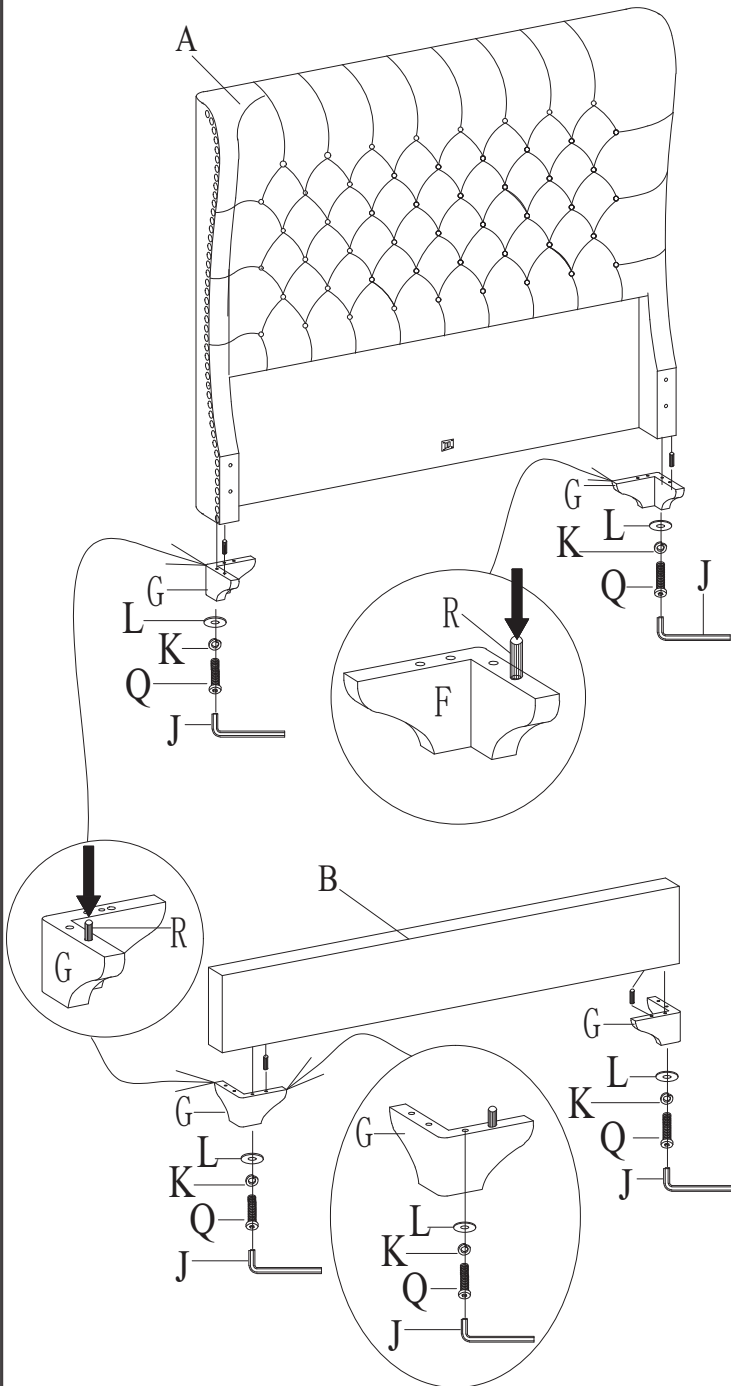
**CAILEY**

KING/QUEEN UPHOLSTERED PANEL BED

SKU: 322683, 322684, 322677, 322678

Thank you for purchasing this quality product. Be sure to check all packing material carefully for small parts that may have come loose inside the carton during shipment.

**Step1: Assembly HB(A),FB(B) with Leg(G).**



Q	Bolt		Ø5/16"*2-1/2"	4PCS
K	Spring Washer		Ø5/16"	4PCS
L	Flat Washer		Ø5/16"	4PCS
J	Allen Key		Ø5/16"*4"	1 PC
R	Dowel		Ø10"*30	4PCS

**TOOLS REQUIRED(NOT PROVIDED)**



**PARTS LIST:**

No.	Description	Sketch	Quantity
A	Headboard		1 PC
B	Footboard		1 PC
C	Side Rail		2PCS
D	Center Rail		1 PC
E	Center Rail Support Leg	1.2"*1.2"*4.3"H	3PCS
E1	Slat Support Leg	1.2"*1.2"*5.3"H	8PCS
F	Slats		4PCS
G	Leg	6.7"*6.7"*3.9"H	4PCS

**HB HARDWARE LIST: (2) FEET FOR HEADBOARD**

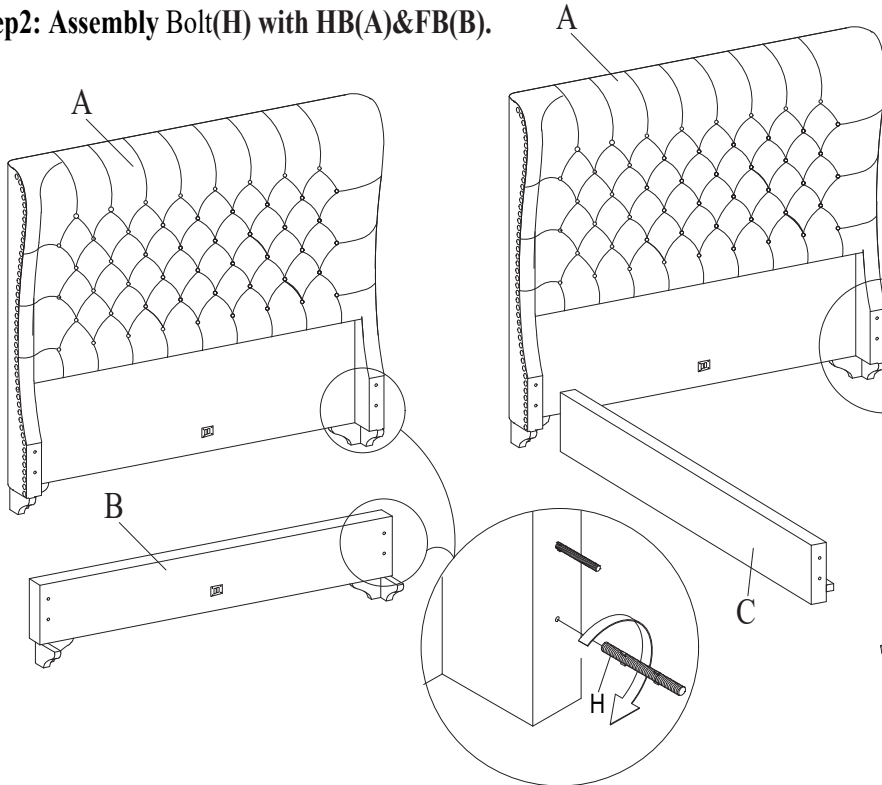
No.	Description	Sketch	Size	Quantity
H	Bolt		Ø5/16"*4"	4PCS
J	Allen Key		M5*4"	1PC
K	Spring Washer		Ø5/16"	6PCS
L	Flat Washer		Ø5/16"	6PCS
O	Spanner		M12	1PC
P	Nut		M8	4PCS
Q	Bolt		Ø5/16"*2-1/2"	2PCS
R	Dowel		Ø10"*30	2PCS

**FB HARDWARE LIST: (2) FEET FOR FOOTBOARD**

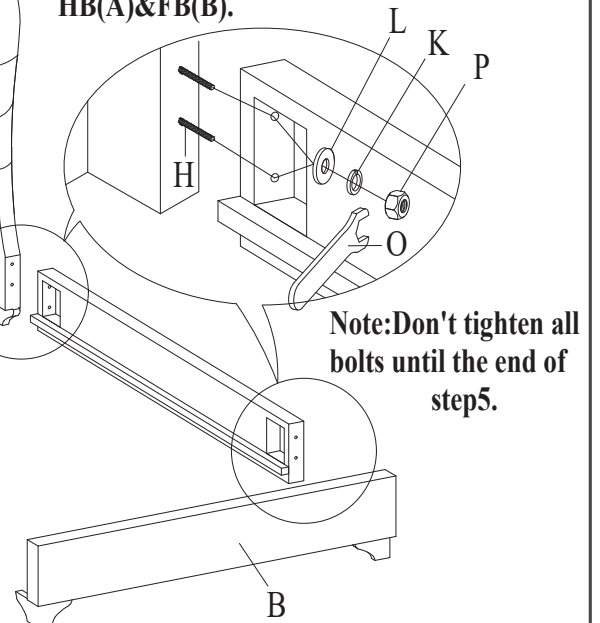
No.	Description	Sketch	Size	Quantity
H	Bolt		Ø5/16"*4"	4PCS
I	Bolt		Ø5/16"*1-1/2"	11PCS
J	Allen Key		M5*4"	1PC
K	Spring Washer		Ø5/16"	6PCS
L	Flat Washer		Ø5/16"	17PCS
M	Screw		Ø8*1"	4PCS
N	Screw		Ø8*1-1/2"	8PCS
O	Spanner		M12	1PC
P	Nut		M8	4PCS
Q	Bolt		Ø5/16"*2-1/2"	2PCS
R	Dowel		Ø10"*30	2PCS
S	Metal bracket		50*32*30*2	2SET

Thank you for purchasing this quality product. Be sure to check all packing material carefully for small parts that may have come loose inside the carton during shipment.

**Step2: Assembly Bolt(H) with HB(A)&FB(B).**



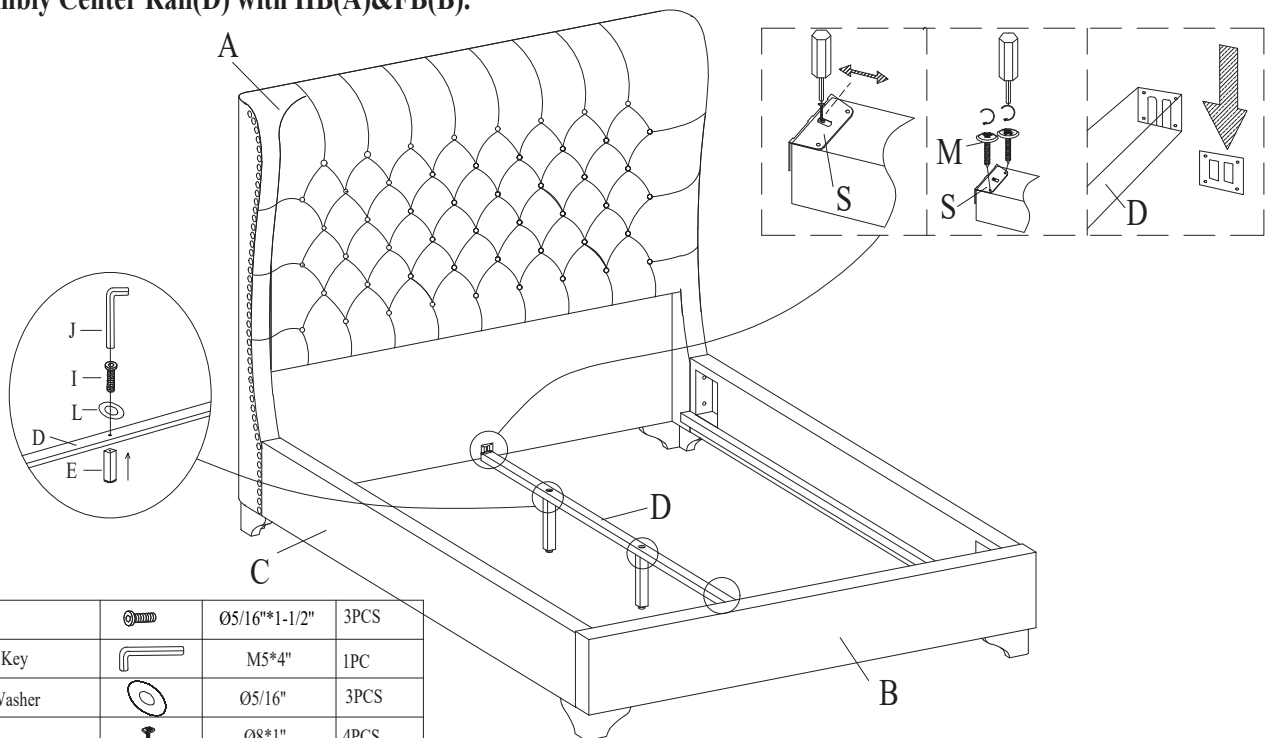
**Step3: Assembly Side Rail(C) with HB(A)&FB(B).**



L	Flat Washer		Ø5/16"	8PCS
K	Spring Washer		Ø5/16"	8PCS
O	Spanner		M12	1PC
P	Nut		M8	8PCS

H	Bolt		5/16"*4"	8PCS
---	------	--	----------	------

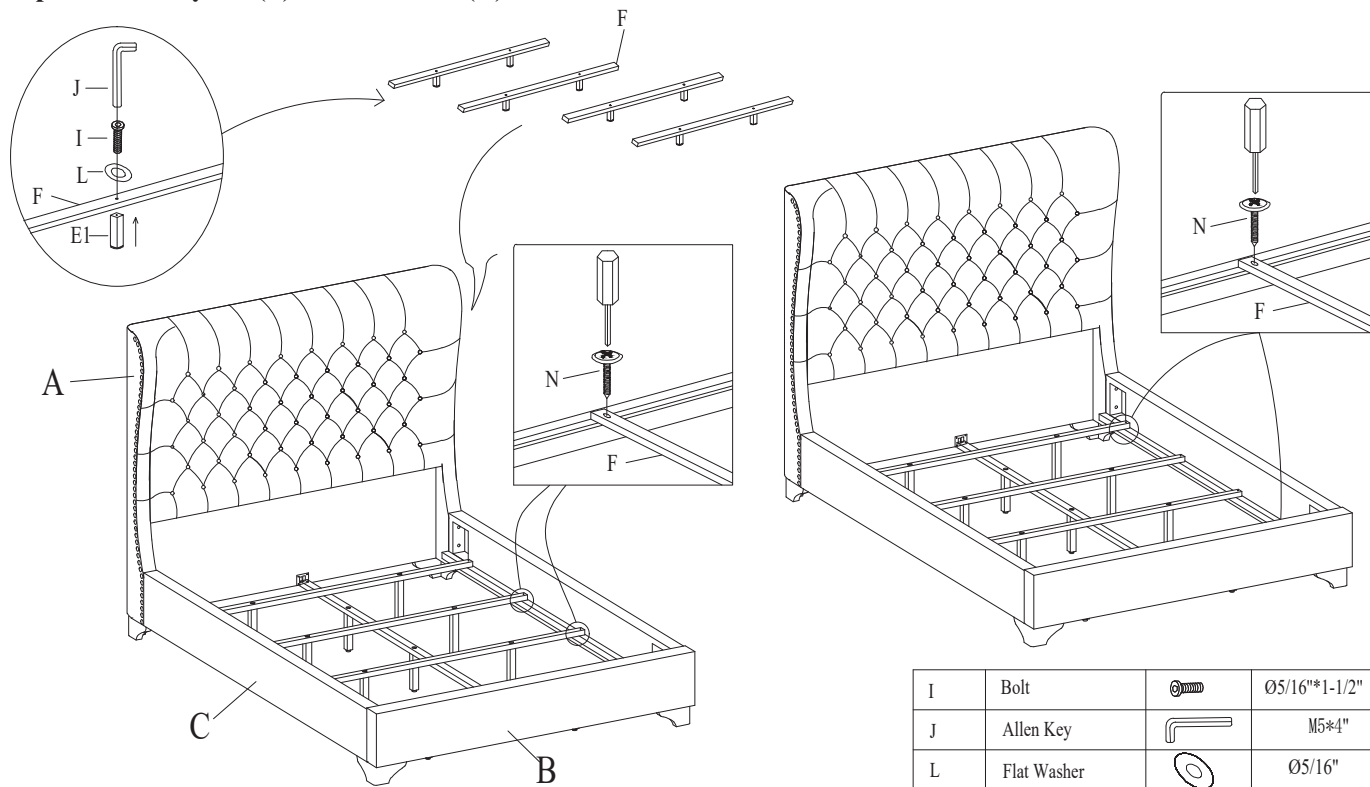
**Step4: Assembly Center Rail(D) with HB(A)&FB(B).**







I	Bolt		Ø5/16"*1-1/2"	3PCS
J	Allen Key		M5*4"	1PC
L	Flat Washer		Ø5/16"	3PCS
M	Screw		Ø8*1"	4PCS

Thank you for purchasing this quality product. Be sure to check all packing material carefully for small parts that may have come loose inside the carton during shipment.

### Step 5: Assembly slat(F) with side Rail(C).



I	Bolt		Ø5/16"*1-1/2"	8PCS
J	Allen Key		M5*4"	1PC
L	Flat Washer		Ø5/16"	8PCS
N	Screw		Ø8*1-1/2"	8PCS

### Step 6: Completed assembly for a regular bed.

