

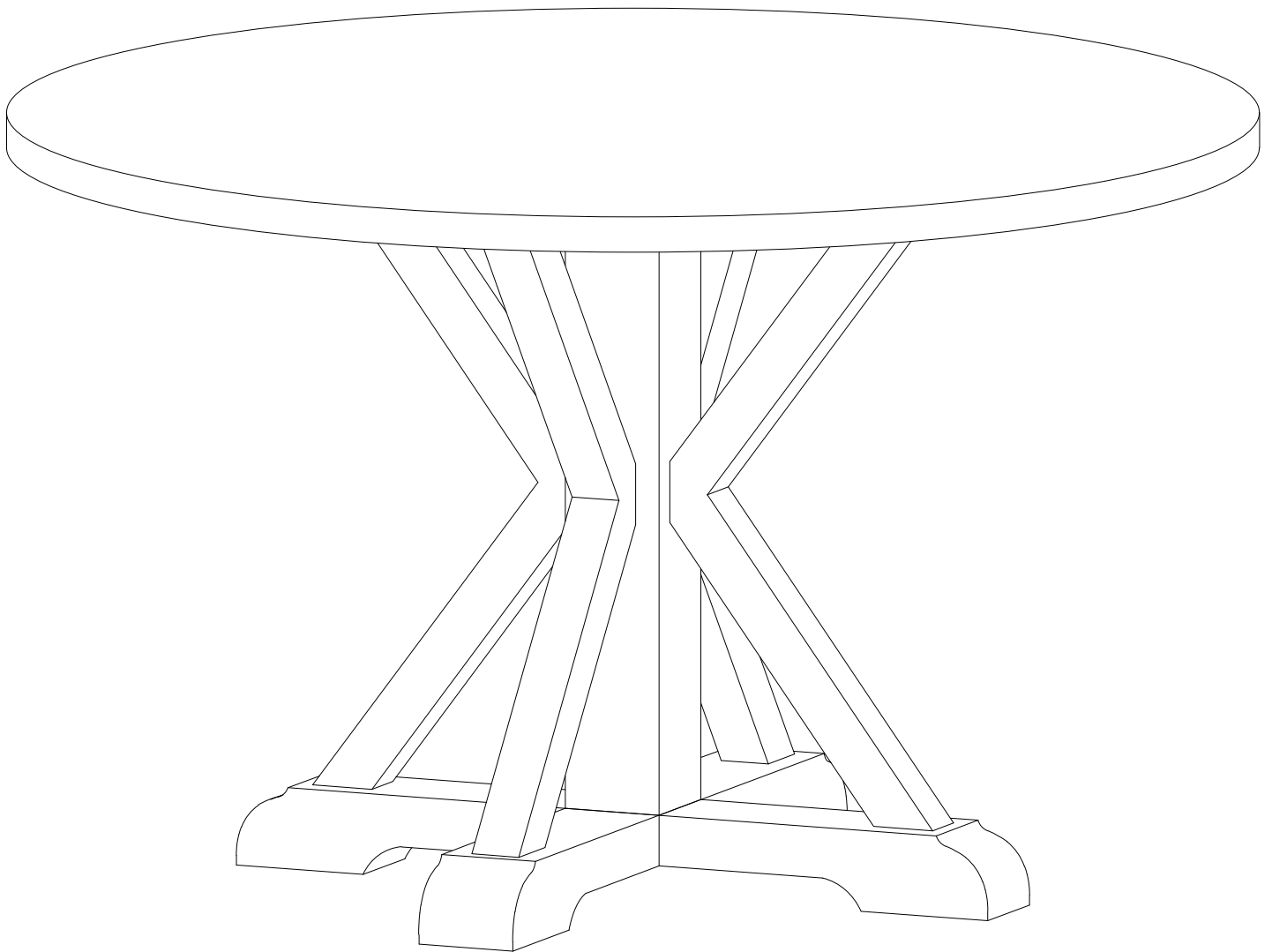


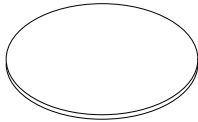
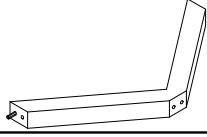
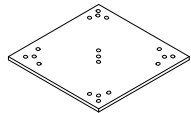
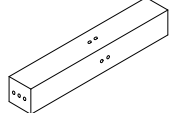
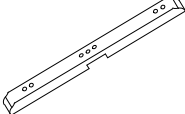
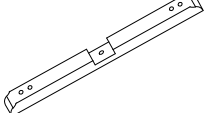
# ASSEMBLY INSTRUCTIONS

## KAILANI 48" ROUND DINING TABLE

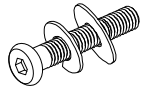
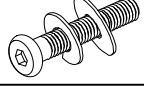
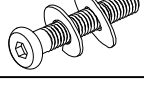

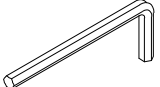
ITEM NO :D2107-205

SKU:323847



PART	SKU#	IMAGE	DESCRIPTION	QTY
(A)	323847-A-W (Walnut)		Table Top	1
(B)	323847-B-W (Walnut)		Table Leg	4
(C)	323847-C-W (Black)		Table Panel	1
(D)	323847-C-W (Walnut)		Pedestal	1
(E)	323847-E-W (Walnut)		Table Base	1
(F)	323847-F-W (Walnut)		Table Base	1

### Hardware List of Dining Table

PART	SKU#	IMAGE	DESCRIPTION	QTY
(1)	323847-1(5)		Bolts M4*Ø5/16*75mm	5
(2)	323847-2 (5)		Bolts M4*Ø5/16*38mm	5
(3)	323847-3 (8)		Bolts M4*Ø5/16*30mm	8
(4)	323847-4 (12)		Wood Dowel Ø10*30mm	12
(5)	323847-5 (1)		Allen key M4	1

*Note: Screwdriver will be prepared by yourself.*

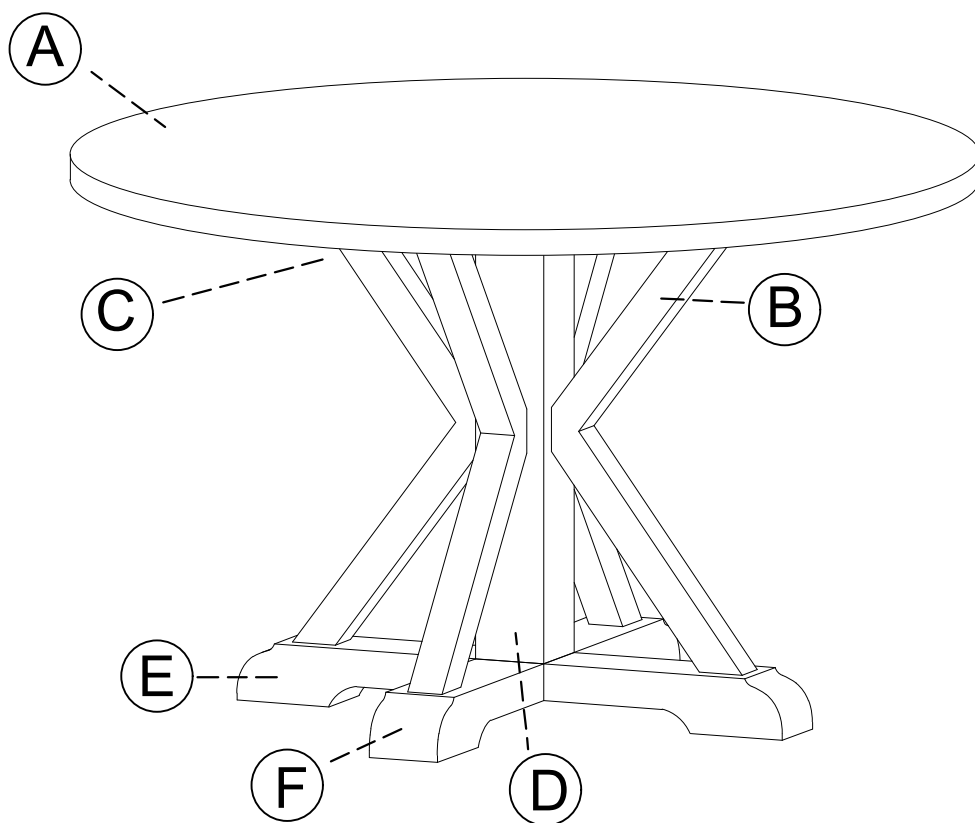
**THE HARDWARE IS LOCATED IN THE PACKING ITEM**

**NOTE: MUST TIGHTEN SCREWS PERIODIACLLY. WITH USE SCREW MAY ENCOME LOOSE CHECK TIGHTNESS OF ALL SCREWS EVERY 6-8 WEEKS.**

### CLEANING INSTRUCTIONS:

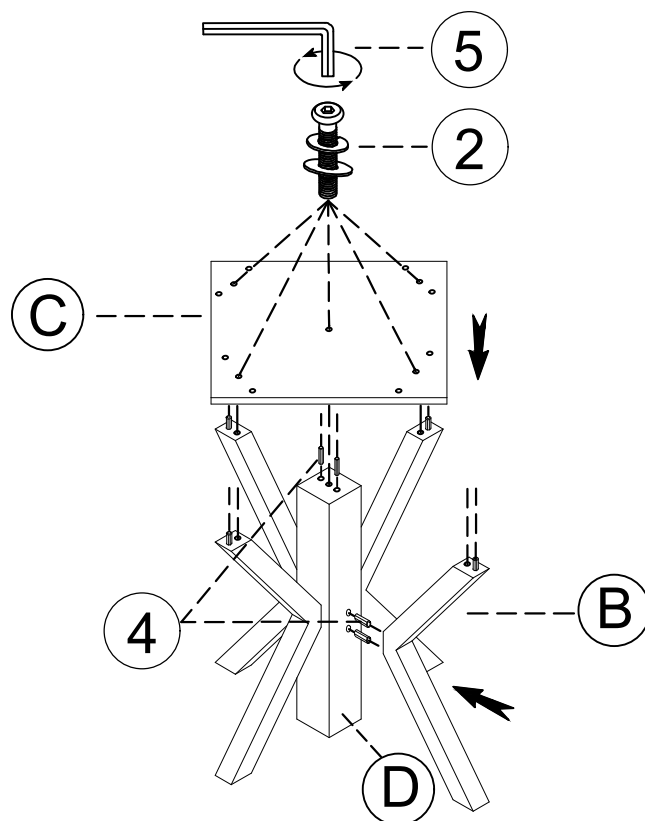
After assembly, clean and polish the completed parts if necessary with soft cloth and industrial recognized furniture polish.

# DETAIL VIEW



## STEP 1: Assemble the table legs (B) with the stretcher (C).

\*Use dowel (4) to locate table legs (B) with pedestal (D), Use Bolt (2) to fix table panel (C) with pedestal (D) and table legs (B).

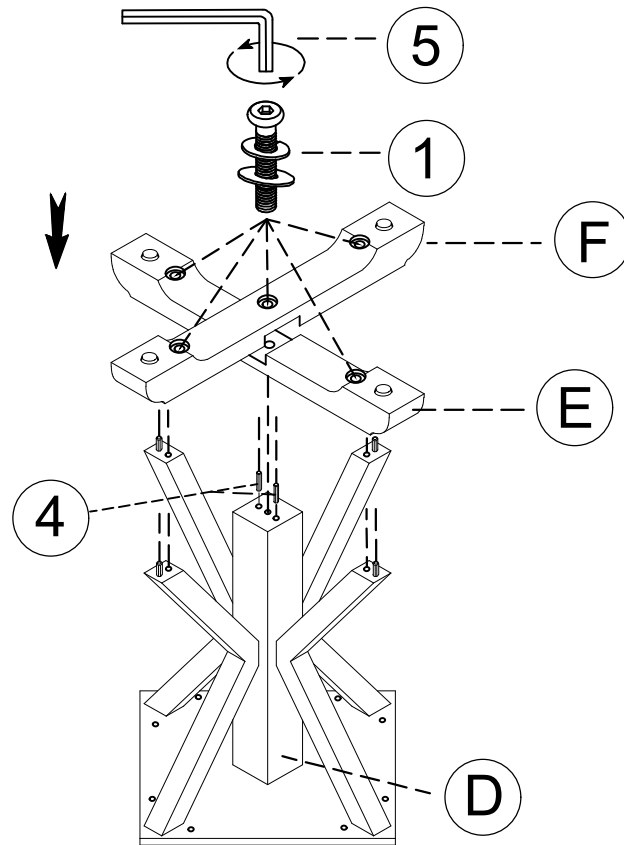


3

2= 5 pcs

**STEP 2:** Assemble the table base (E,F) with the table pedestal (D) and table legs (B).

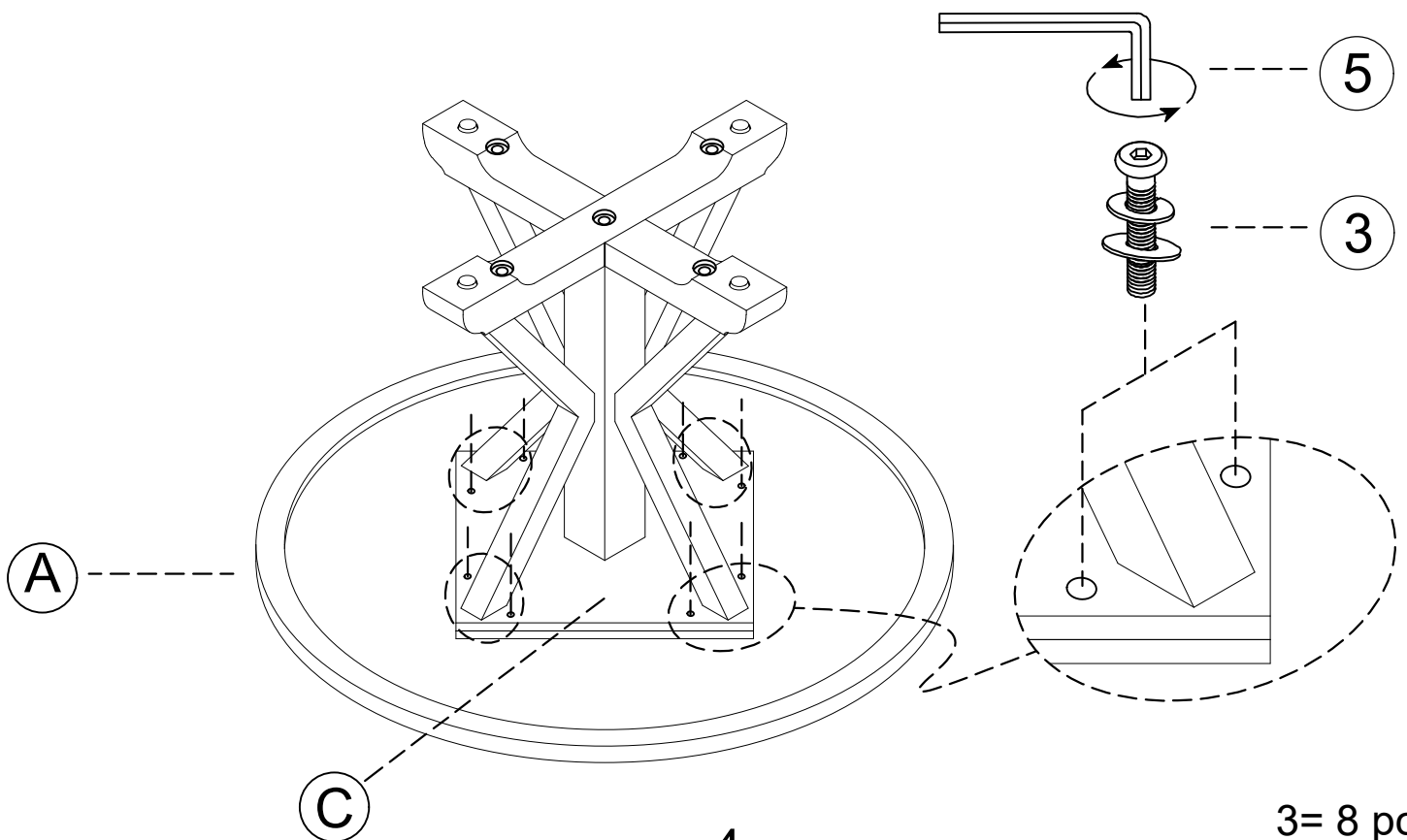
\*Use dowel (4) to locate pedestal (D) with table base (E), table base (F). Use bolt (1) to fix table base (E,F) with pedestal (D) and table legs (B).



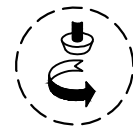
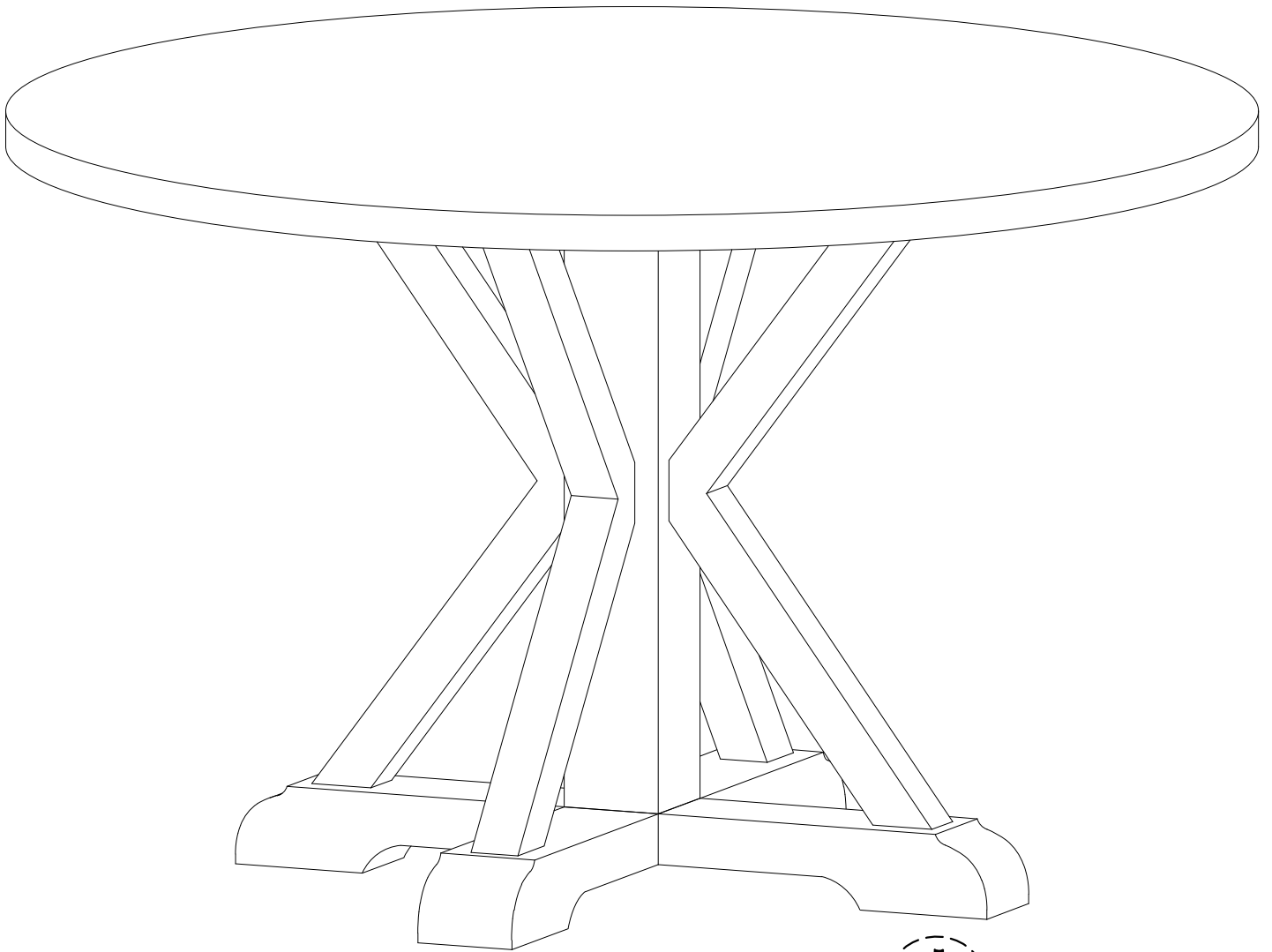
1= 5 pcs

**STEP 3:** Assemble the table panel (C) with the table top (A).

\* Use Bolt (3) to fix the table panel with table top.



3= 8 pcs



Adjust leveler =4pcs

***That's it ! You've finished  
assembling your item. Thank you!***