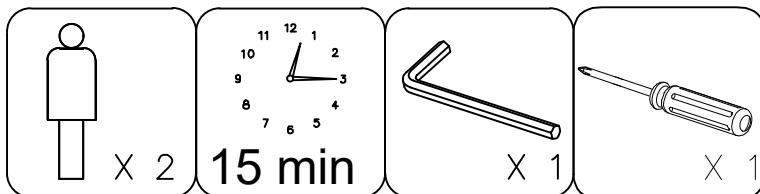
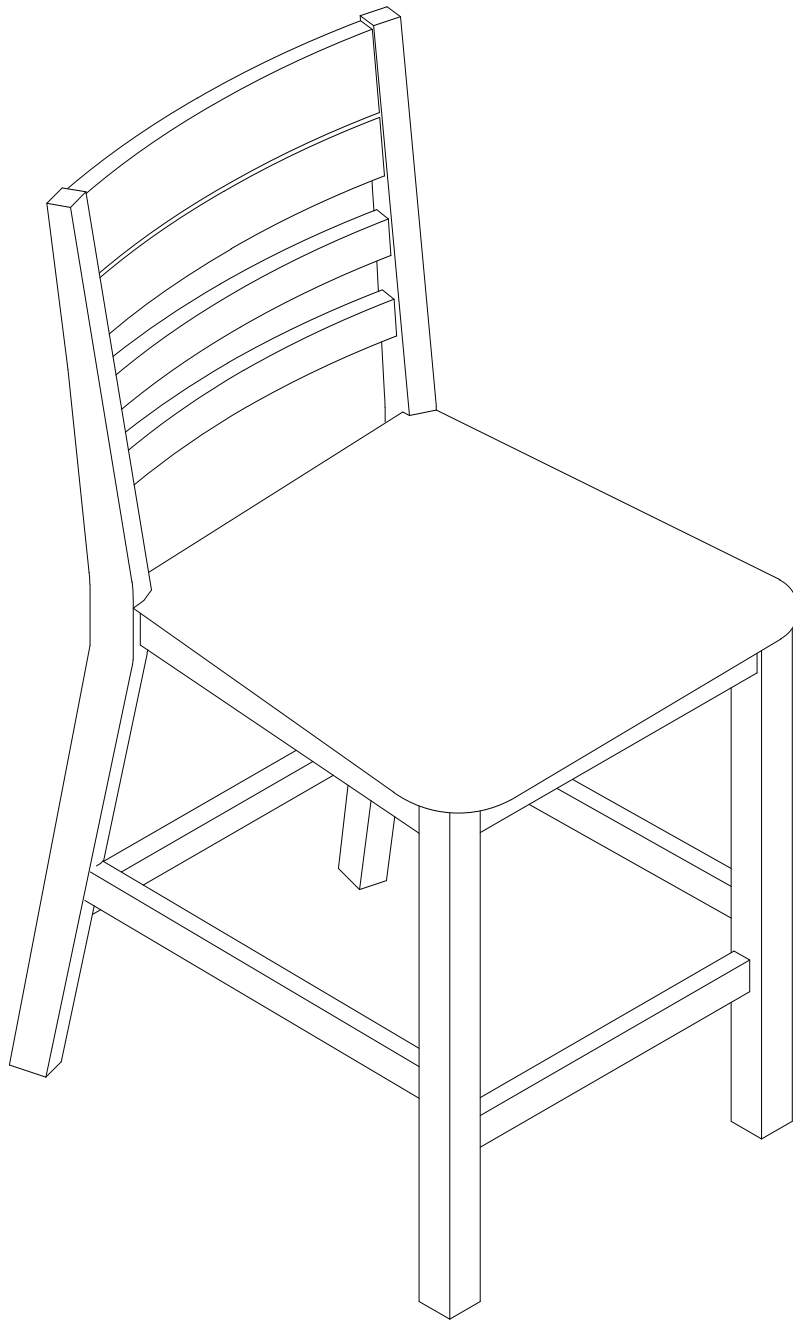
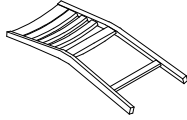
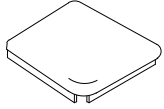
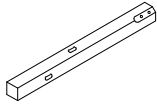
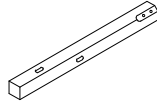
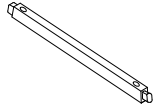
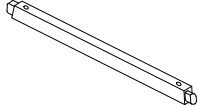
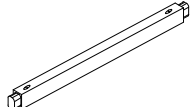


ASSEMBLY INSTRUCTIONS

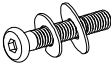
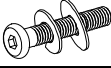
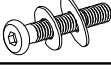

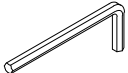
ADONIS CNTR. STOOL

ITEM NO : D2106-228-C SKU:323845



PART	SKU#	IMAGE	DESCRIPTION	QTY
(A)	323845-A-G (Grey)		Chair Back	1
(B)	323845-B-B (Beige)		Chair cushion	1
(C)	323845-C-G (Grey)		Left Leg	1
(D)	323845-D-G (Grey)		Right Leg	1
(E)	323845-E-G (Grey)		Left Stretcher	1
(F)	323845-F-G (Grey)		Right Stretcher	1
(G)	323845-G-G (Grey)		Center stretcher	1

Hardware List of Dining Chair W / Uph Seat

PART	SKU#	IMAGE	DESCRIPTION	QTY
(1)	323845-1 (4)		Bolts M4*Ø1/4*80mm	4
(2)	323845-2 (4)		Bolts M4*Ø1/4*60mm	4
(3)	323845-3 (2)		Bolts M4*Ø1/4*38mm	2
(4)	323845-4 (6)		Wood Screw #8*38mm	6
(5)	323845-5 (1)		Allen key M4	1

Note: Screwdriver will be prepared by yourself.

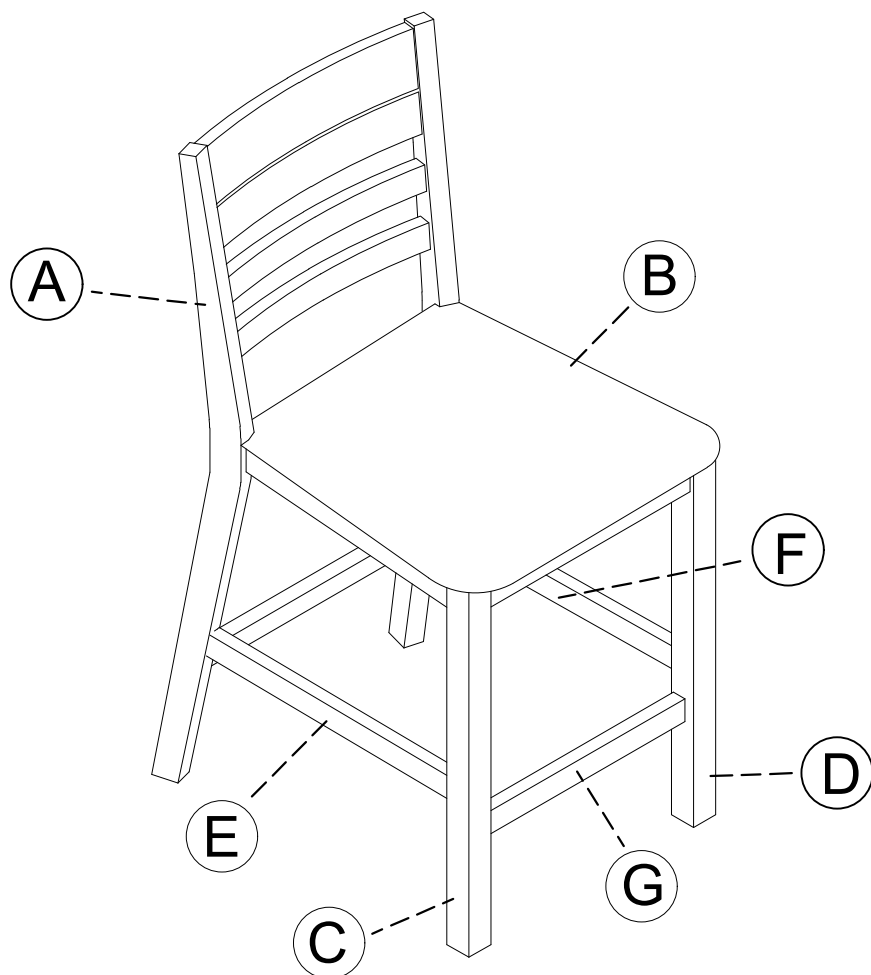
THE HARDWARE IS LOCATED IN THE PACKING ITEM

NOTE: MUST TIGHTEN SCREWS PERIODIACLLY. WITH USE SCREW MAY ENCOME LOOSE CHECK TIGHTNESS OF ALL SCREWS EVERY 6-8 WEEKS.

CLEANING INSTRUCTIONS:

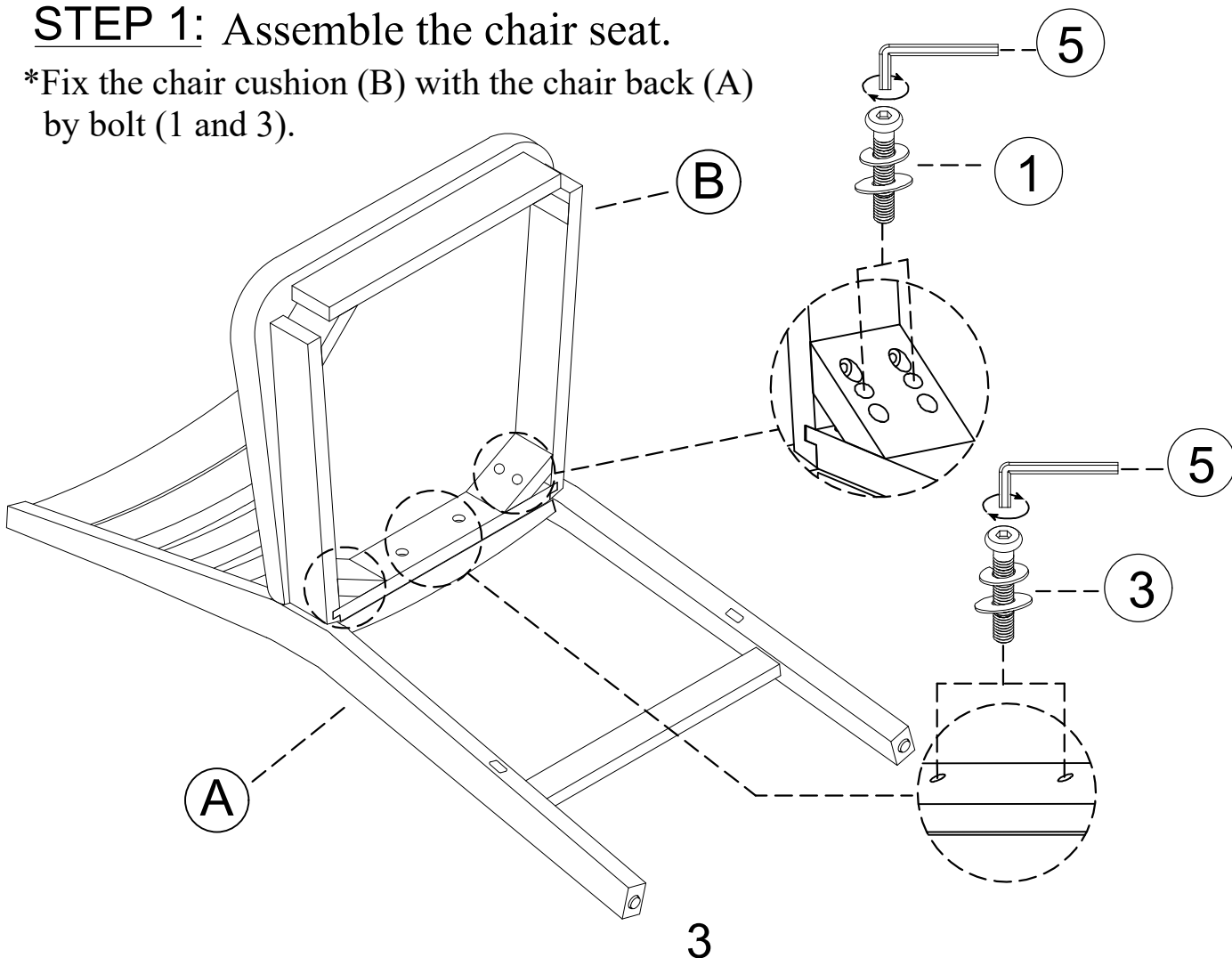
After assembly, clean and polish the completed parts if necessary with soft cloth and industrial recognized furniture polish.

DETAIL VIEW



STEP 1: Assemble the chair seat.

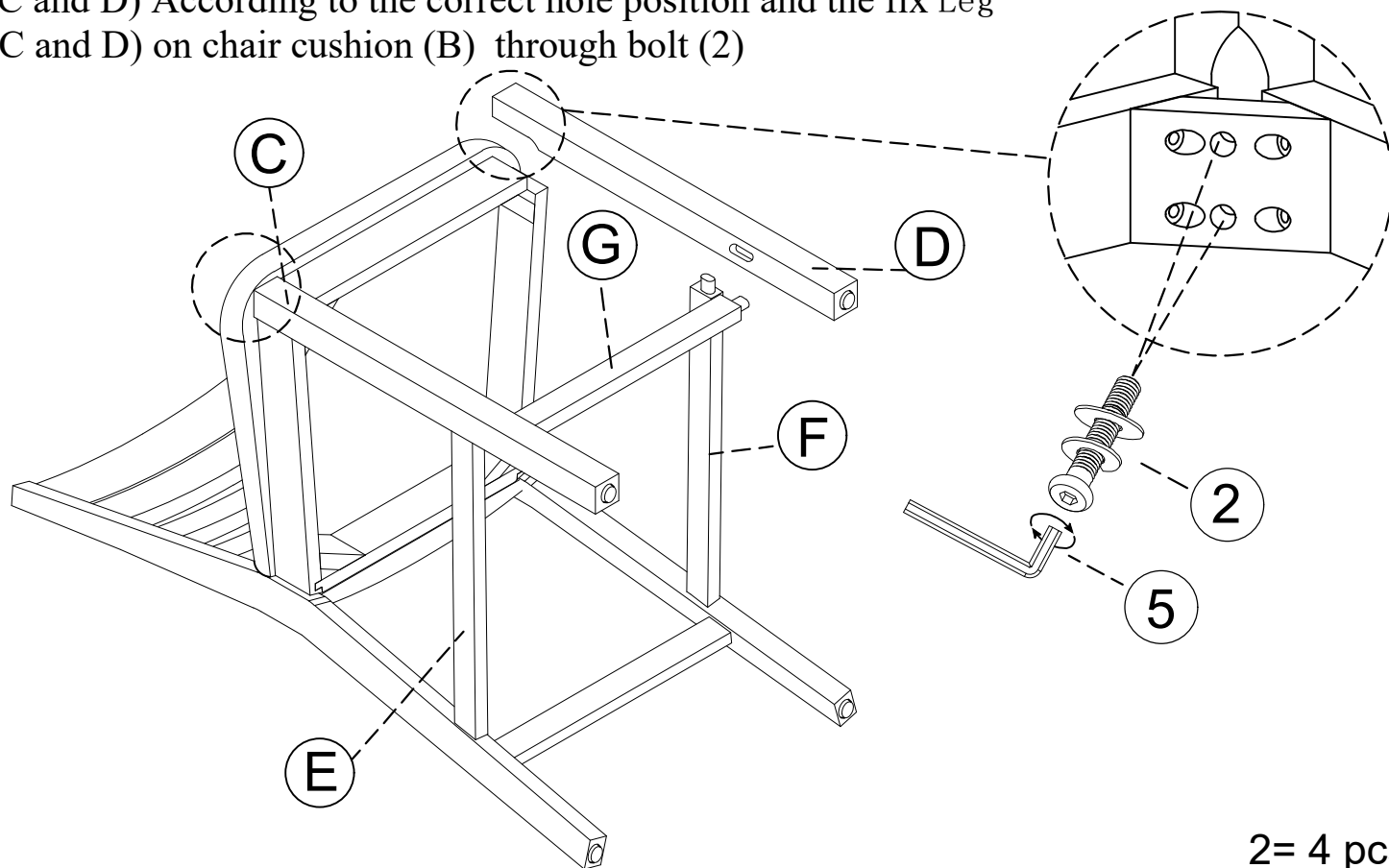
*Fix the chair cushion (B) with the chair back (A) by bolt (1 and 3).



1= 4 pcs
3= 2 pcs

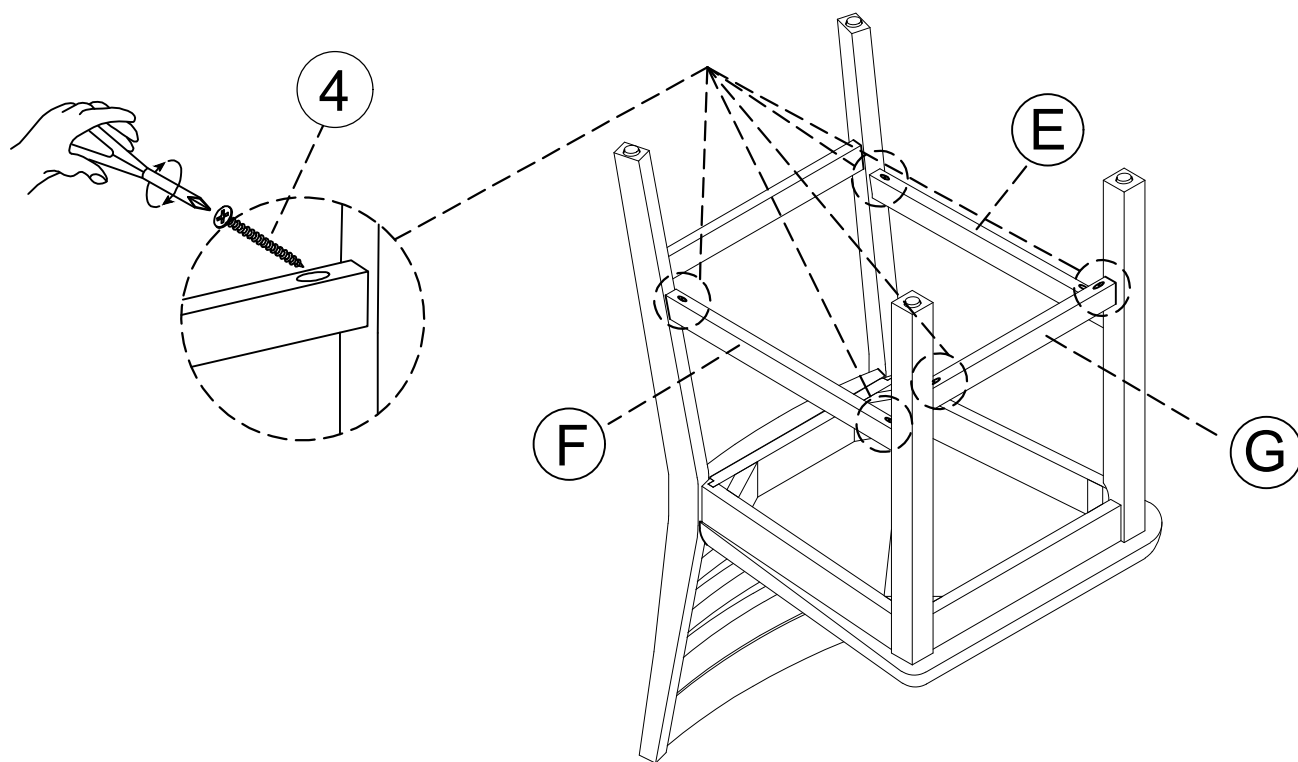
STEP 2: Assembly of the front leg.

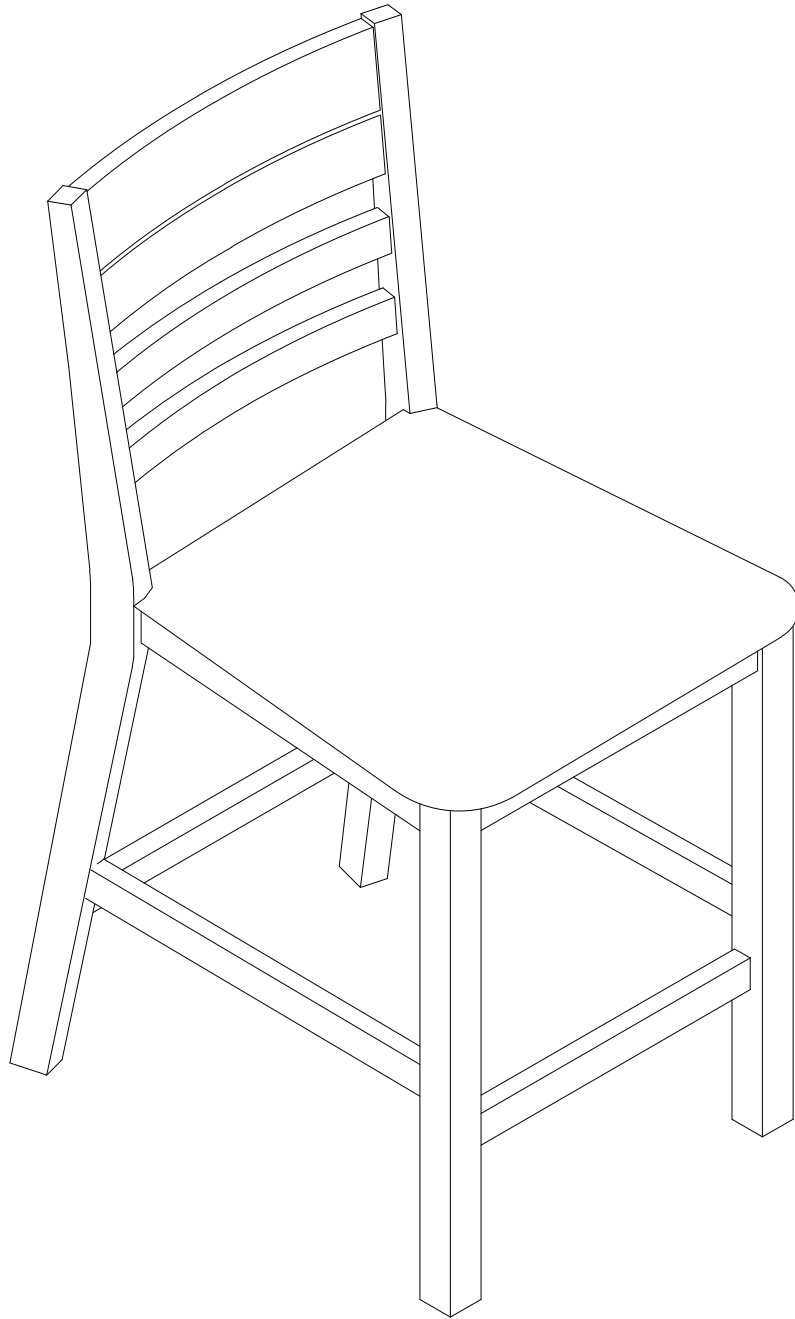
*Install stretcher (E and F and G) on chair back (A) and Leg (C and D) According to the correct hole position and the fix Leg (C and D) on chair cushion (B) through bolt (2)



STEP 3: Fixed stretcher(E and F and G).

*Use screw driver (4) to stretcher (E and F and G) to fix.





***That's it ! You've finished
assembling your item. Thank you!***