
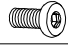


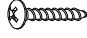


# ASSEMBLY INSTRUCTIONS

ITEM NO.:T365-01  
T366-01  
Rectangular Cocktail Table

Thank you for purchasing this quality product. Place all wooden parts on a clean and smooth surface such as a rug or carpet to avoid the parts from being scratched. Be sure to check all packing materials carefully for small parts may have come loose inside the carton during shipment, clarify and count all parts and compare with the parts list below. Do not tighten all screws / bolts until all completely assembled.

Parts List		
No.	Description	Q.ty
A	Front Frame	1PC
B	Back Frame	1PC
C	Panel Top	1PC
D	Upper Shelf	1PC
E	Lower Shelf	1PC
F	Top Stretchers	2PCS
G	Lower Stretchers	2PCS
H	Bottom Stretcher	1PC

Hardware List				
No.	Description	Sketch	Size	Q.ty
1	Allen Key		M4	1 pc
2	Allen Bolt		1/4 x 18mm	18pcs
3	Spring Washer		Ø12 x 1/4 x 1mm	18pcs
4	Flat Washer		Ø16 x 1/4 x 2mm	18pcs
5	Screws		#4 x 20mm	10pcs

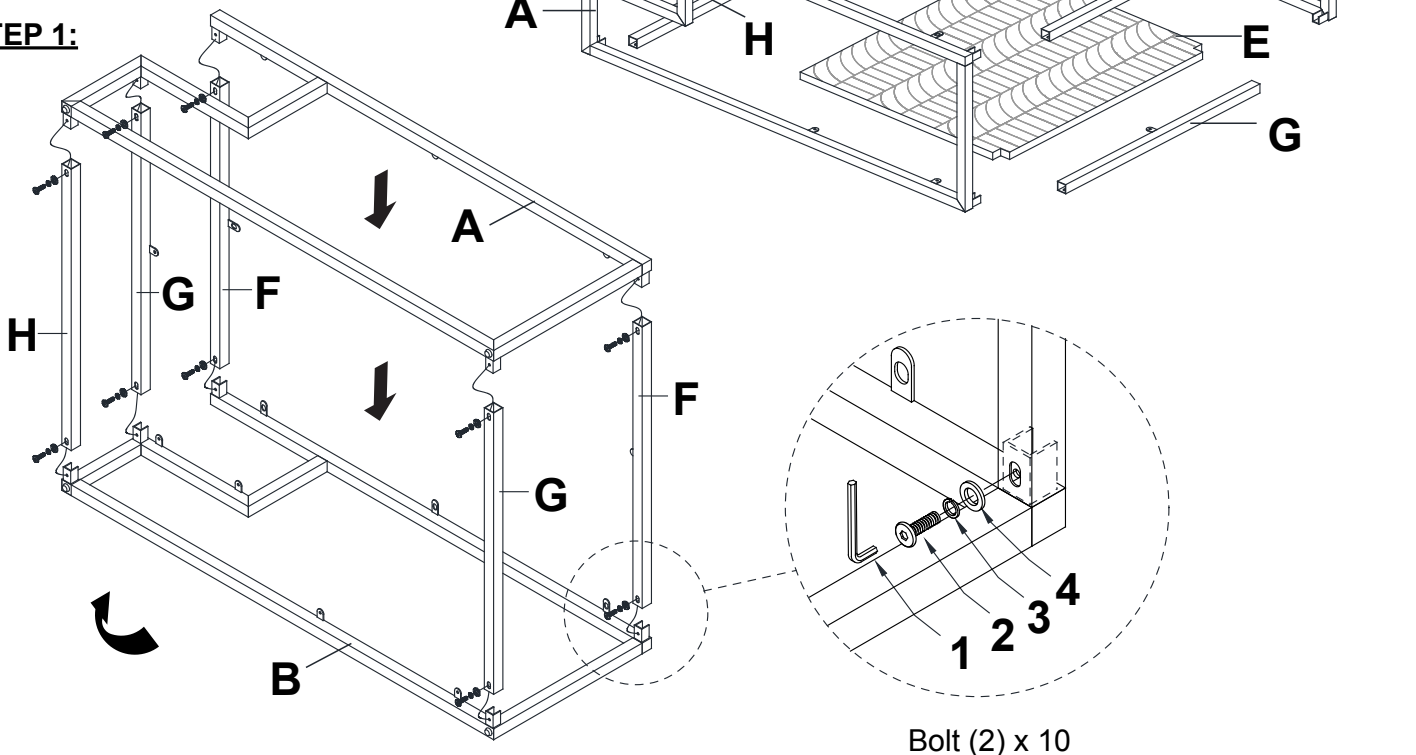
NOTE : YOU WILL ALSO NEED A PHILLIPS SCREWDRIVER (NOT PROVIDED)

Two people are recommended in order to prevent personal injury and insure the parts are not damaged during the assembly.

**⚠ Important Notes**

- \*Keep all hardware parts out of reach of children!
- \*Tighten screws periodically! With the use of this product bolts and screws may become loose over time!
- \*Don't attempt to modify parts!

## STEP 1:



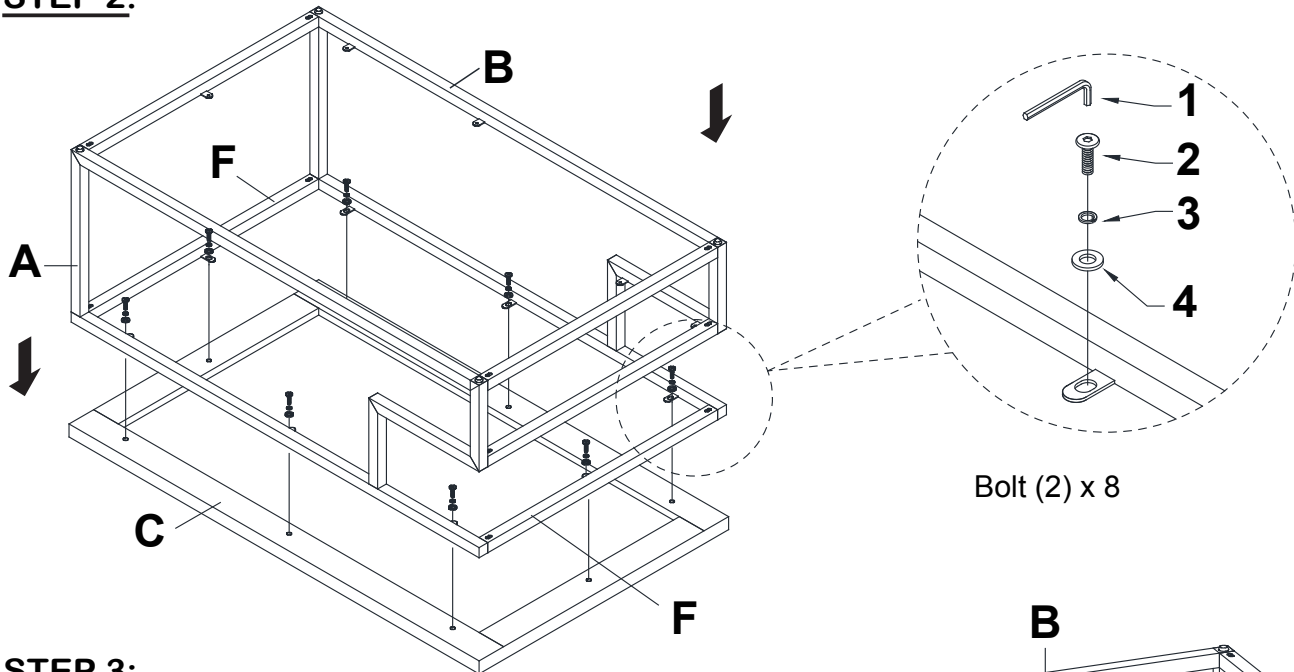
Cleaning instruction: Clean using soft cloth

Made in VietNam

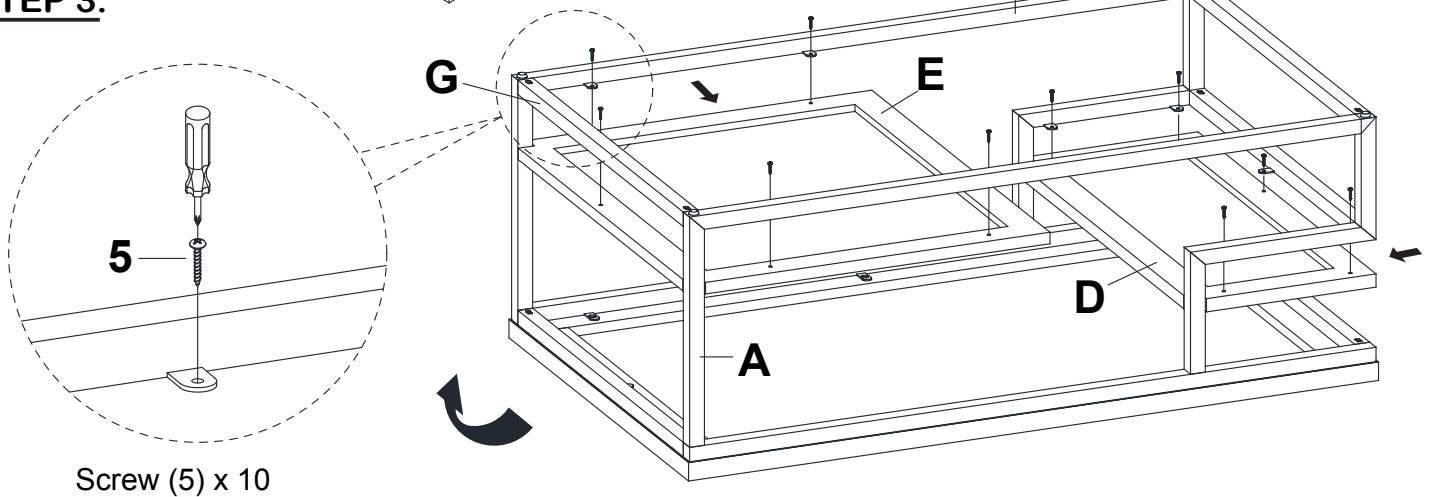
# ASSEMBLY INSTRUCTIONS

ITEM NO.:T365-01  
T366-01  
Rectangular Cocktail Table

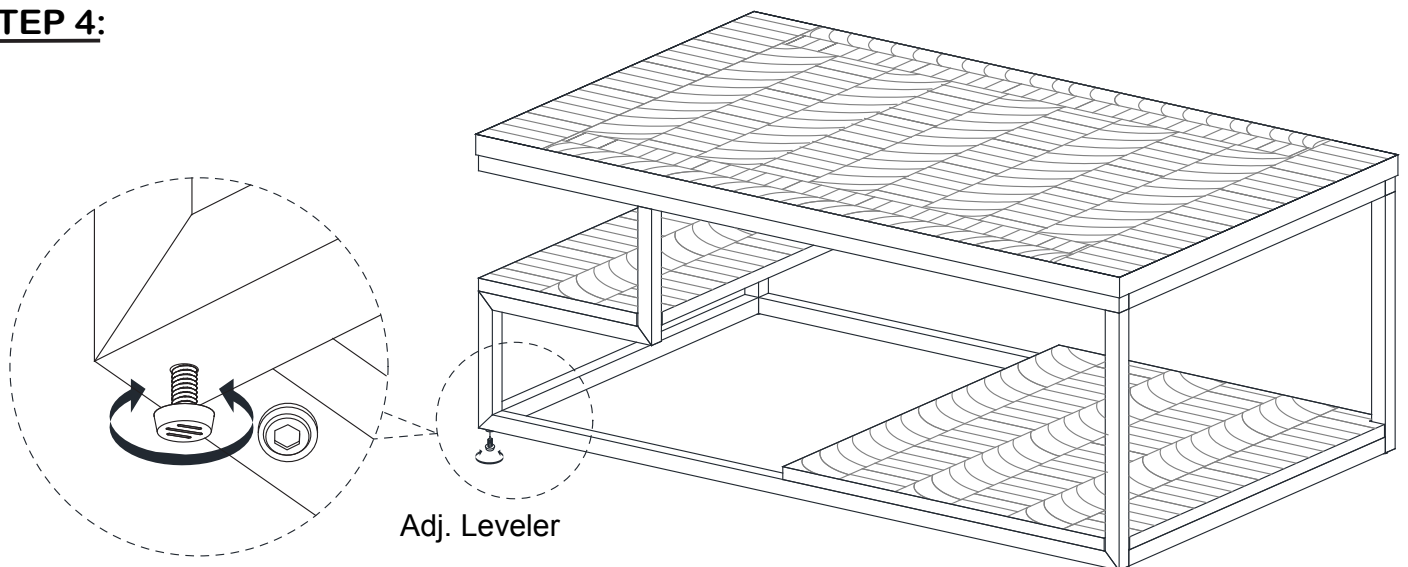
## STEP 2:



## STEP 3:



## STEP 4:



Cleaning instruction: Clean using soft cloth

Made in VietNam