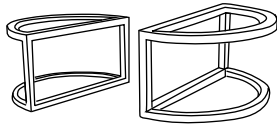


# Demi Pleated Bench

Part # BC-DEMIPLT XXXX

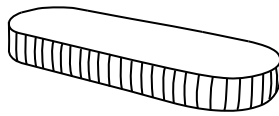
21-1021

PARTS



x2

A



B



(M6 x 14mm)

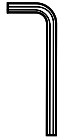
x6

C



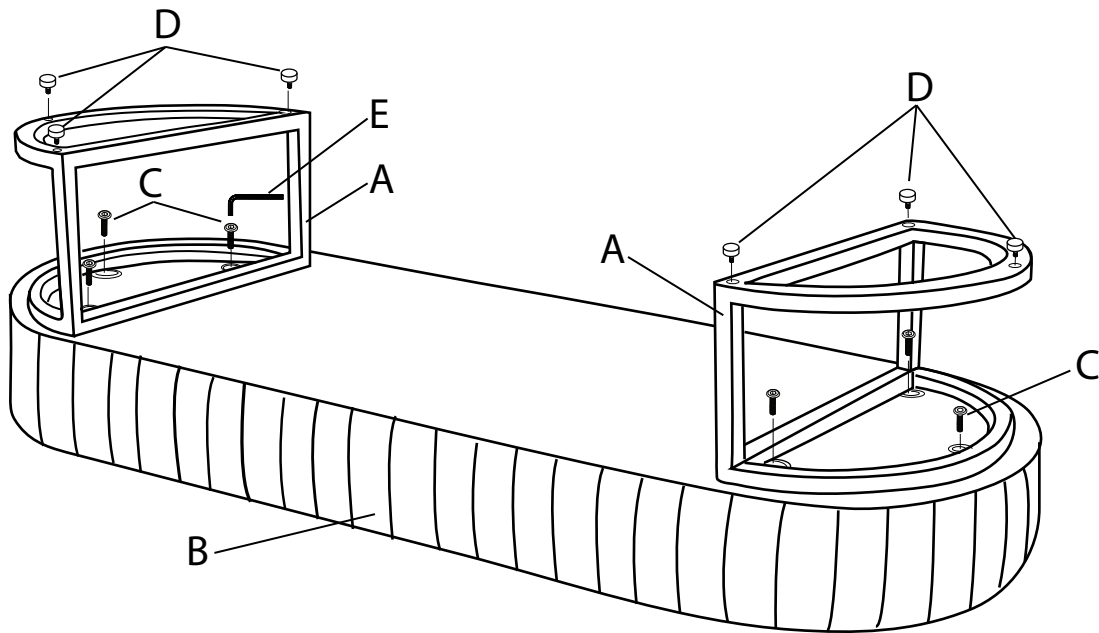
x6

D

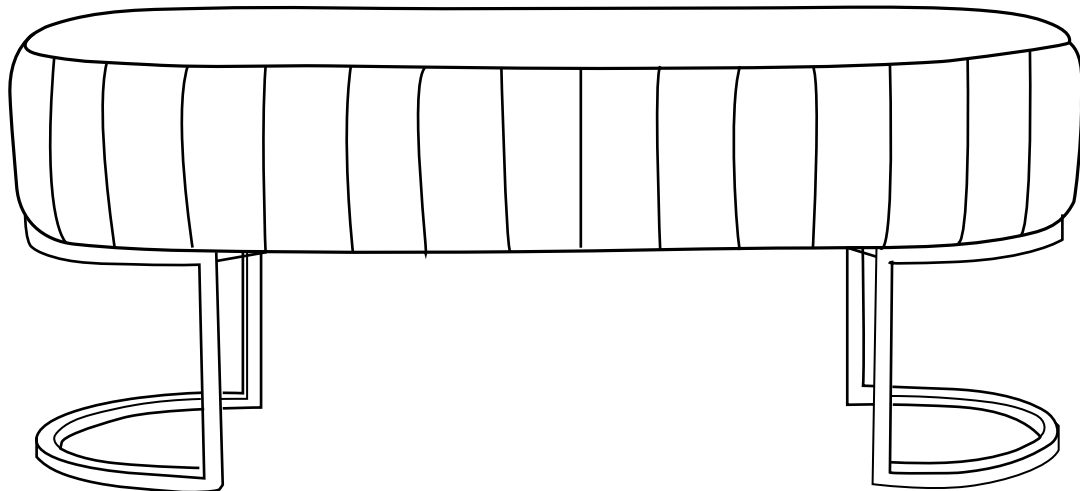


E

1



2



Do not over tighten.  
 Do not use power tools to assemble.