

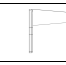


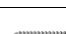



LIVING SPACES

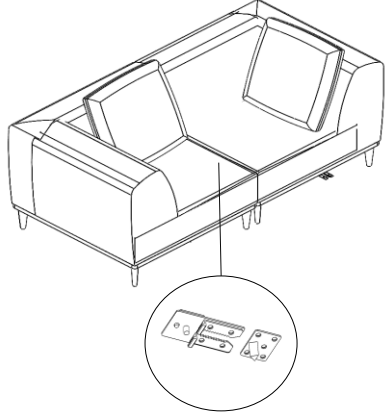
Vendor Information	
Vendor Name:	LSMX1
Vendor Code:	V-005852

Living Space Information	
LS SKU:	328010
LS product Name:	KIT-KENAI PEARL 2PC SOFA W/2 CORNERS
Vendor Model #:	1978-2PCCOR-KE-PEA
Vendor Collection:	KENAI

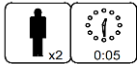
CODE	PART #	DESCRIPTION	SHIPS IN 48 HRS	QUANTITY	PRICING	NOTES
A	LEGMETKE	METAL LEG KENAI CHAIR BLK	YES	8		
B	SCW14114	1/4-20X1-1/4 SOCKET HEAD	YES	24		
C	ALLEN532	KEY ALLEN 5/32	YES	1		
D	SCREW112	6 x 1 1/2 PHIL BUGLE D/W BACK	YES	16		

		LIVING SPACES	
A	LEGMETKE		x 8
B	SCW14114		x24
C	ALLEN532		x1
D	SCREW112		x16
1	CORNER KENAI		x2

KIT-KENAI PEARL 2PC LOVESEAT W/2 CORNERS

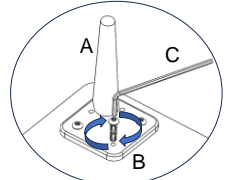
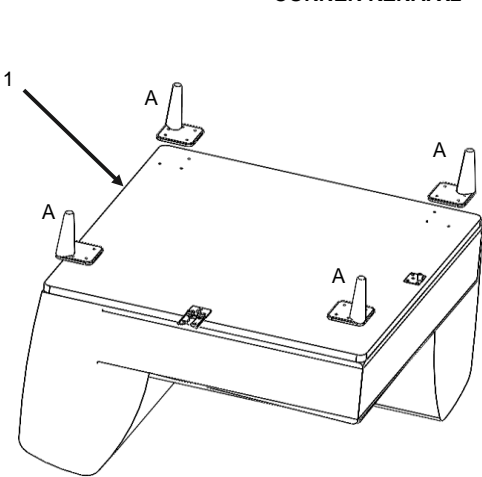


CORNER KENAI ALLIGATOR CLIPS (2 SET)

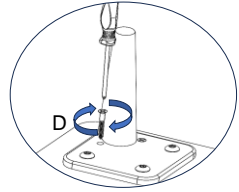


STEP 1: PLACE LEGS

CORNER KENAI X2



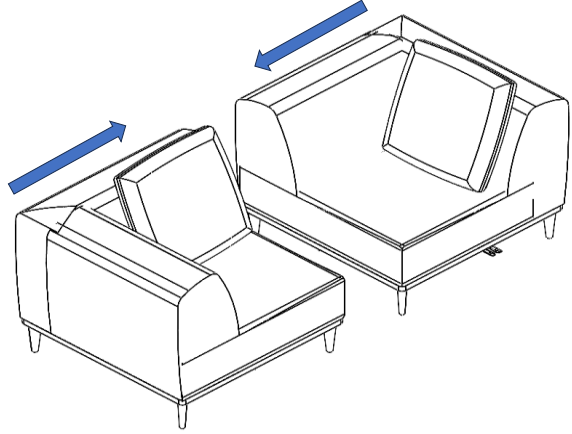
USE THE ALLEN WRENCH TO SCREW



USE A SCREWDRIVER TO ATTACH THE LEGS

*REMOVE PILLOW

STEP 2: JOIN SECTIONAL AND PLACE PILLOWS



KIT-KENAI PEARL 2PC LOVESEAT W/2 CORNERS