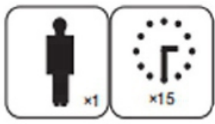
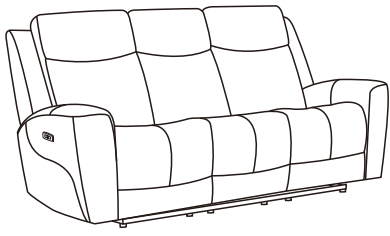
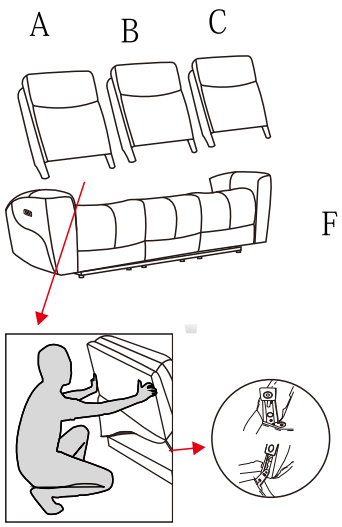


A	KMT.6150-Dual power three seats sofa-Backrest 1	
B	KMT.6150-Dual power three seats sofa-Backrest 2	
C	KMT.6150-Dual power three seats sofa-Backrest 3	
D	KMT.6150-Dual power three seats sofa-LAF Wing	
E	KMT.6150-Dual power three seats sofa-RAF Wing	
F	KMT.6150-Dual power three seats sofa-Seat	

SKU 328067
 JAMESON RECLINING
 SOFA W/POWER HEADREST

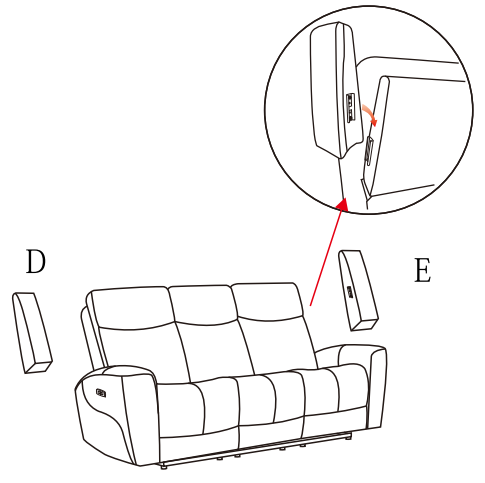


1



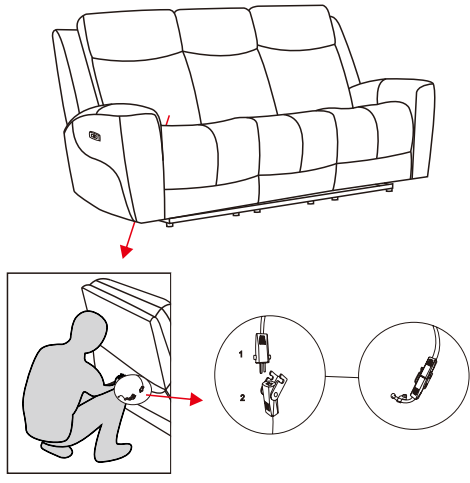
Fix the backrest by metal lock

2



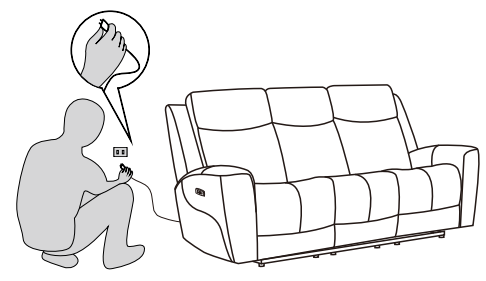
Fix the back wing by metal lock

3

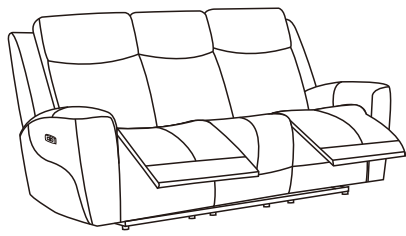


Connect the power plugs of each power nut

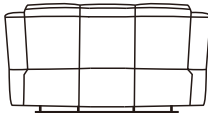
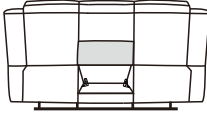

4



Connect the power cable for both sides when try to power on



Living Spaces Information	
LS SKU:	328067
LS Product Name:	JAMESON RECLINING SOFA W/POWER HEADREST
Vendor Model #:	KMT.6150
Vendor Collection:	DUAL POWER RECLINING SOFA

CODE		DESCRIPTION		QUANTITY	NOTES
1	power cord in US standard	POWER SOFA		1	
2	power cord in US standard	ONE PLUG FOR WHOLE SOFA		1	
3	power cord in US standard	ONE PLUG FOR POWER RECLING AND POWER HEADREST;		1	inside the bottom of power unit backrest