



**Parker House**  
FURNITURE

# Assembly Instruction

Item No : PUR#480/PUR#481

Description : EXECUTIVE DESK TOP / EXECUTIVE DESK BASE

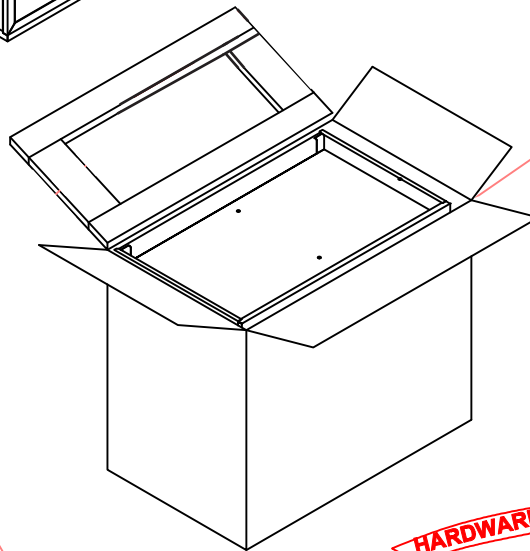
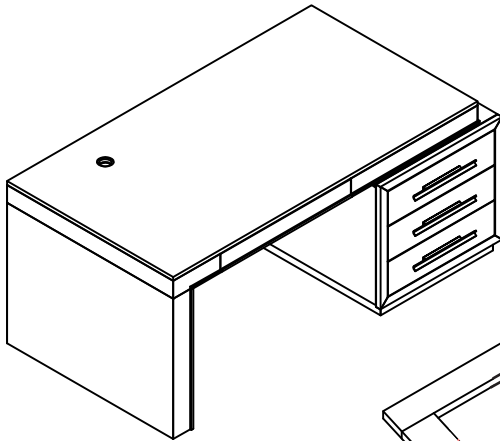
Rev 1 :2021-07-27

## HARDWARE LIST :

## PARTS LIST :

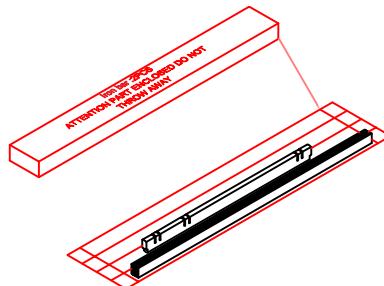
| NO | Description                         | Sketch | QTY |
|----|-------------------------------------|--------|-----|
| A  | Allen Wrench 4mm                    |        | 1   |
| B  | Allen Bolt Ø5/16"*38mm              |        | 8   |
| C  | Lock Washer Ø5/16"*12mm             |        | 8   |
| D  | Flat Washer Ø5/16"*19mm             |        | 8   |
| E  | Allen Wrench 4mm for electric drill |        | 1   |
| F  | Iron Bar 546*15*2                   |        | 2   |
| G  | Wire Grommet                        |        | 1   |
| H  | Plank partition                     |        | 1   |
| I  | Dowel                               |        | 2   |

| PUR#480 EXECUTIVE DESK TOP  |                 |
|-----------------------------|-----------------|
| ①                           | ②               |
| DESK TOP: 1PC               | LEFT FRAME: 1PC |
| PUR#481 EXECUTIVE DESK BASE |                 |
| ③                           |                 |
| DESK BASE: 1PC              |                 |



PUR#481 EXECUTIVE  
DESK BASE

Hardware pack  
is here



Hardware and Iron  
Bar Pack in Top

HARDWARE

Hardware  
pack

PUR#480 EXECUTIVE  
DESK TOP



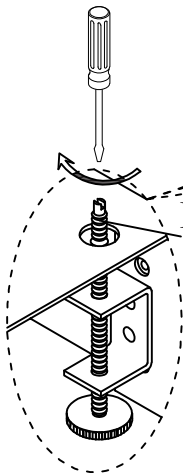
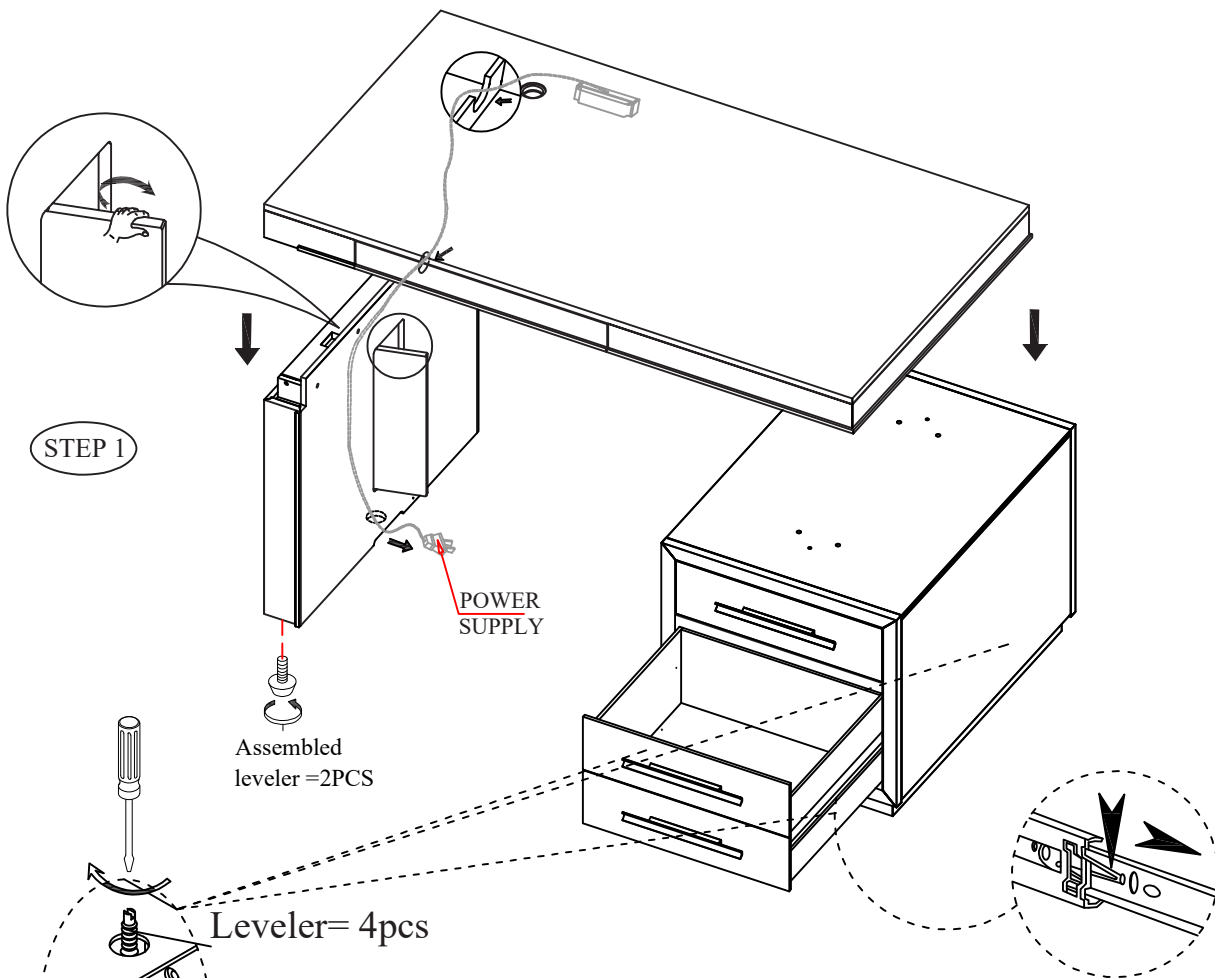
**Parker House**  
FURNITURE

# Assembly Instruction

Item No : PUR#480/PUR#481

Description : EXECUTIVE DESK TOP / EXECUTIVE DESK BASE

Rev 1 :2021-07-27



To adjust and access levelers, first remove plastic cap **if it have** with a flat-head screwdriver. Using the same screwdriver, proceed to turn leveler clockwise to raise the piece, or counterclockwise to lower the piece.

To remove the drawer:  
 A. Pull the drawer fully open so the black lever is visible in the inside channel of the guides.  
 B. Push 'down' on the right lever and 'up' on the left lever. While holding levers in place, pull drawer forward until slides release. If the slides will not release, push both levers in opposite directions.



**Parker House**  
FURNITURE

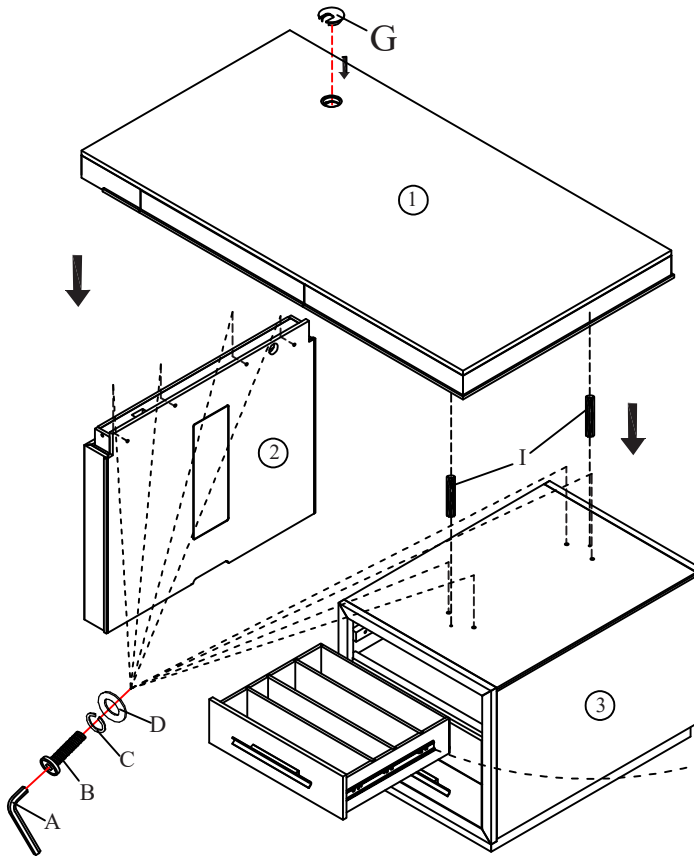
# Assembly Instruction

Item No : PUR#480/PUR#481

Description : EXECUTIVE DESK TOP / EXECUTIVE DESK BASE

Rev 1 :2021-07-27

STEP 2

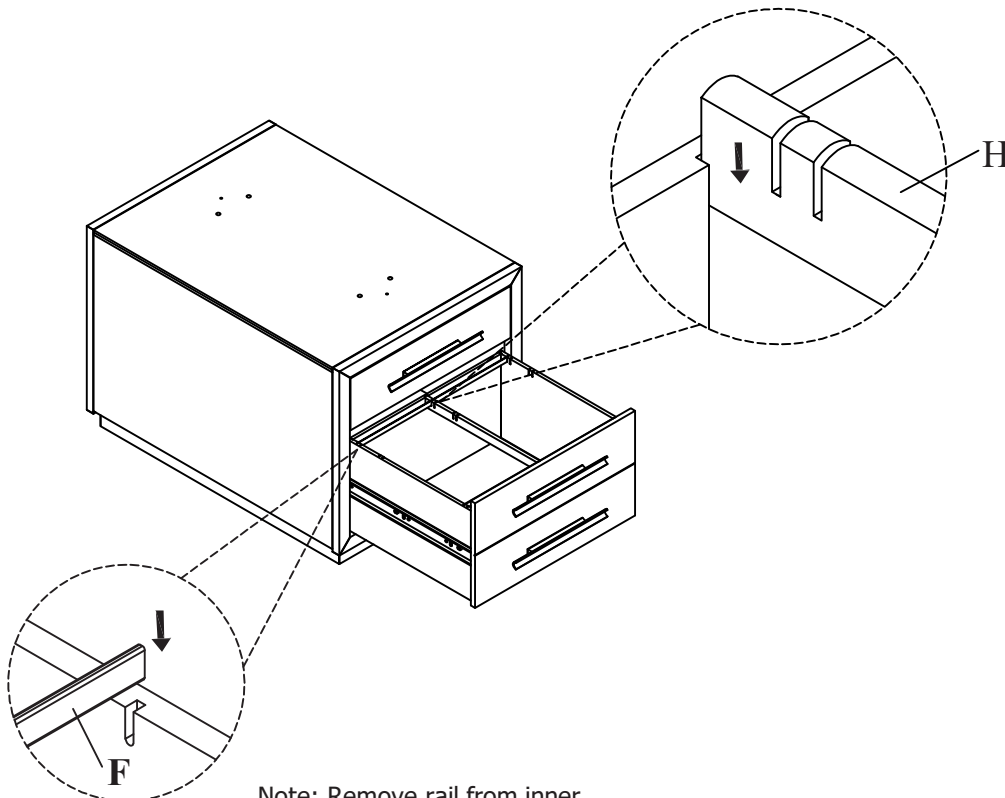


To remove the drawer:

A. Pull the drawer fully open so the black lever is visible in the inside channel of the guides.

B. Push 'down' on the right lever and 'up' on the left lever. While holding levers in place, pull drawer forward until slides release. If the slides will not release, push both levers in opposite directions.

STEP 3



Note: Remove rail from inner box.