

Assembly Instruction




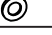




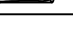
Item No : #329206 Hayward

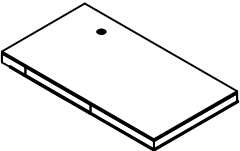
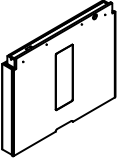
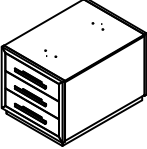
Description : EXECUTIVE DESK TOP / EXECUTIVE DESK BASE

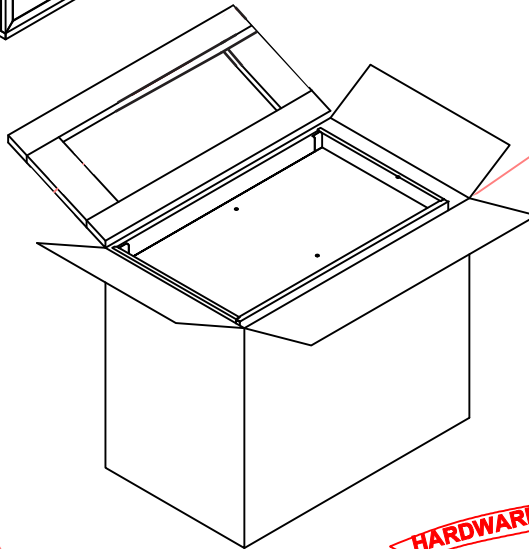
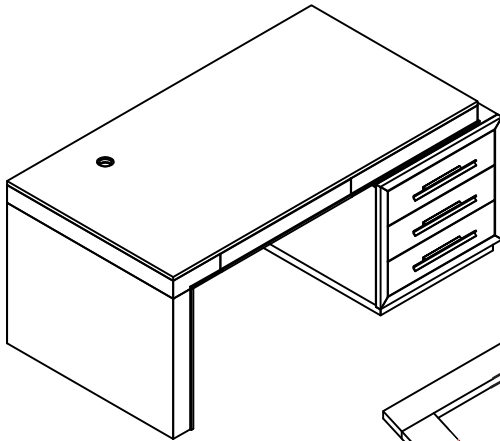
Rev 1 :2021-07-27

HARDWARE LIST :

PARTS LIST :

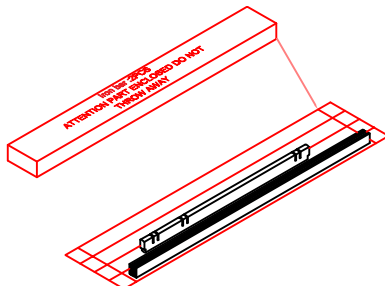
NO	Description	Sketch	QTY
A	Allen Wrench 4mm		1
B	Allen Bolt Ø5/16"*38mm		8
C	Lock Washer Ø5/16"*12mm		8
D	Flat Washer Ø5/16"*19mm		8
E	Allen Wrench 4mm for electric drill		1
F	Iron Bar 546*15*2		2
G	Wire Grommet		1
H	Plank partition		1
I	Dowel		2

PUR#480 EXECUTIVE DESK TOP	
① 	② 
DESK TOP: 1PC	LEFT FRAME: 1PC
PUR#481 EXECUTIVE DESK BASE	
③ 	
DESK BASE: 1PC	

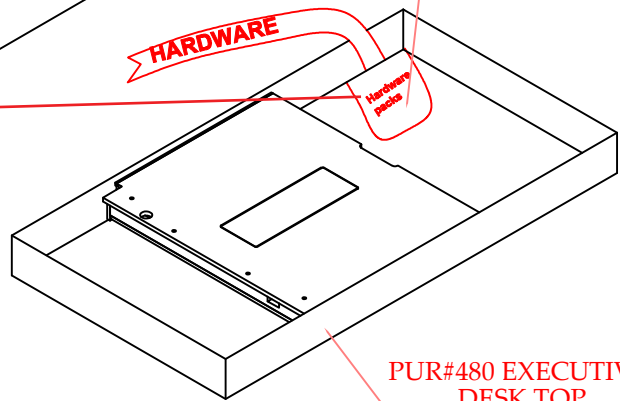


PUR#481 EXECUTIVE
DESK BASE

Hardware pack
is here



Hardware and Iron
Bar Pack in Top



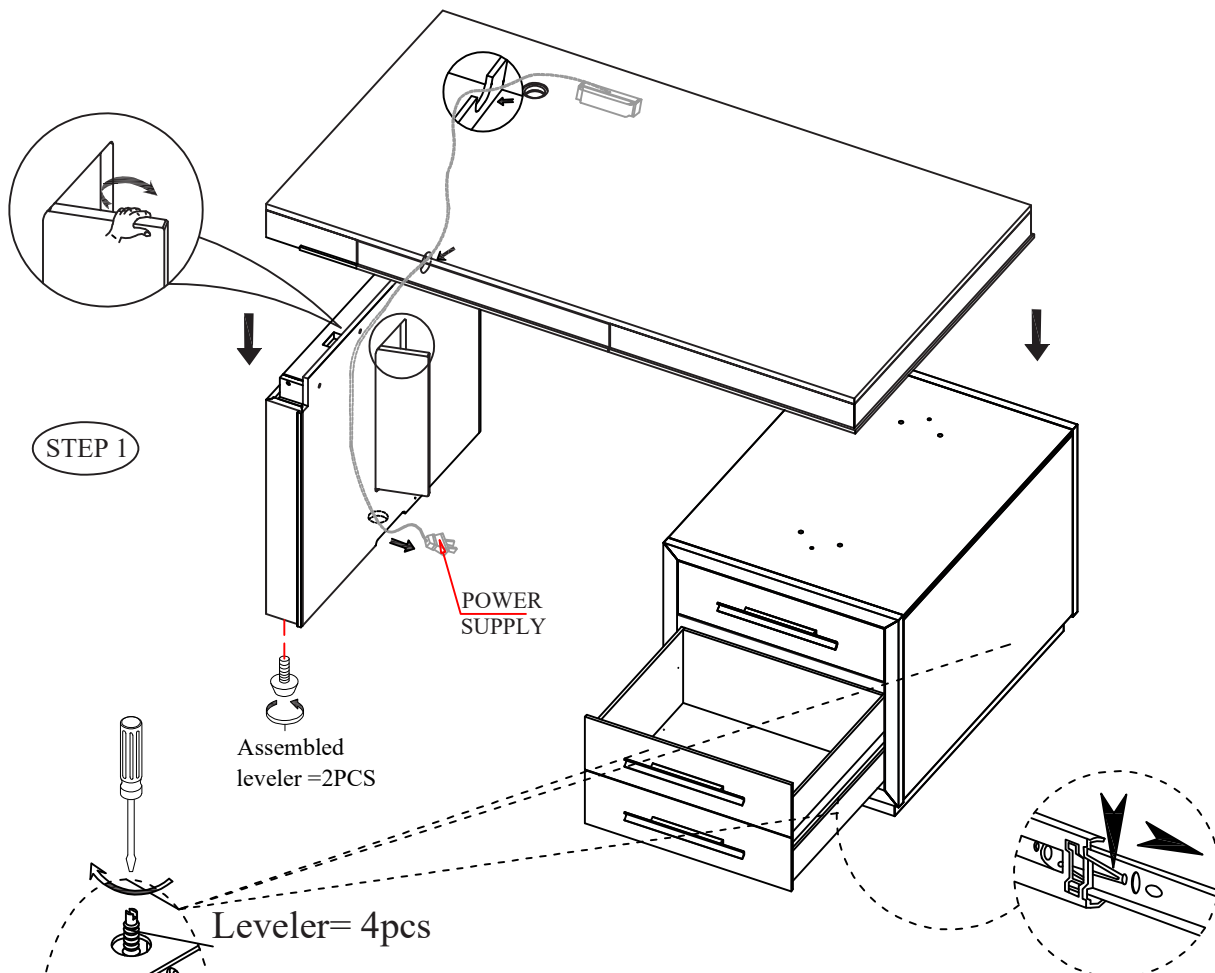
PUR#480 EXECUTIVE
DESK TOP

Assembly Instruction

Item No : #329206 Hayward

Description : EXECUTIVE DESK TOP / EXECUTIVE DESK BASE

Rev 1 :2021-07-27



To adjust and access levelers, first remove plastic cap **if it have** with a flat-head screwdriver. Using the same screwdriver, proceed to turn leveler clockwise to raise the piece, or counterclockwise to lower the piece.

To remove the drawer:

- A. Pull the drawer fully open so the black lever is visible in the inside channel of the guides.
- B. Push 'down' on the right lever and 'up' on the left lever. While holding levers in place, pull drawer forward until slides release. If the slides will not release, push both levers in opposite directions.

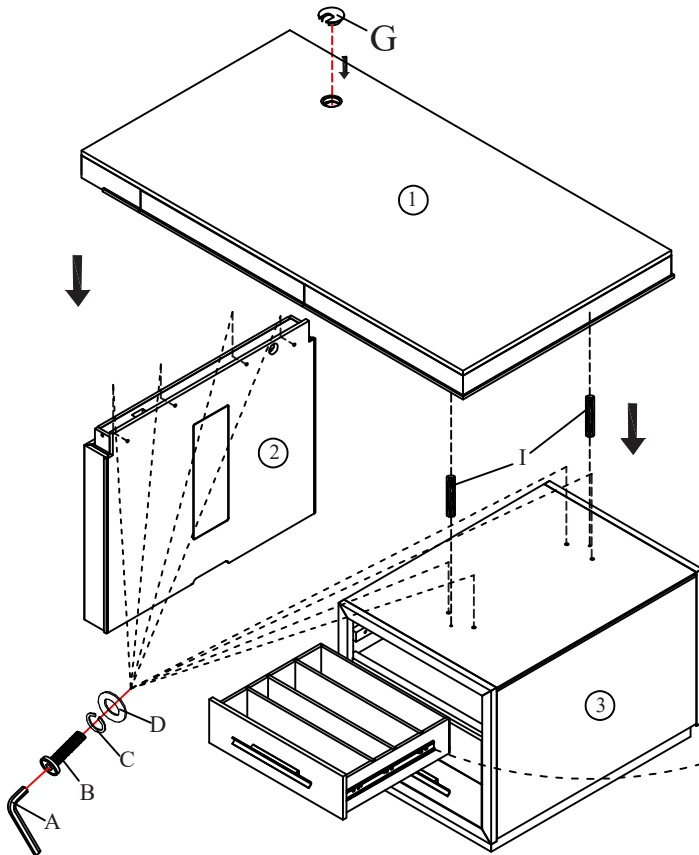
Assembly Instruction

Item No : #329206 Hayward

Description : EXECUTIVE DESK TOP / EXECUTIVE DESK BASE

Rev 1 :2021-07-27

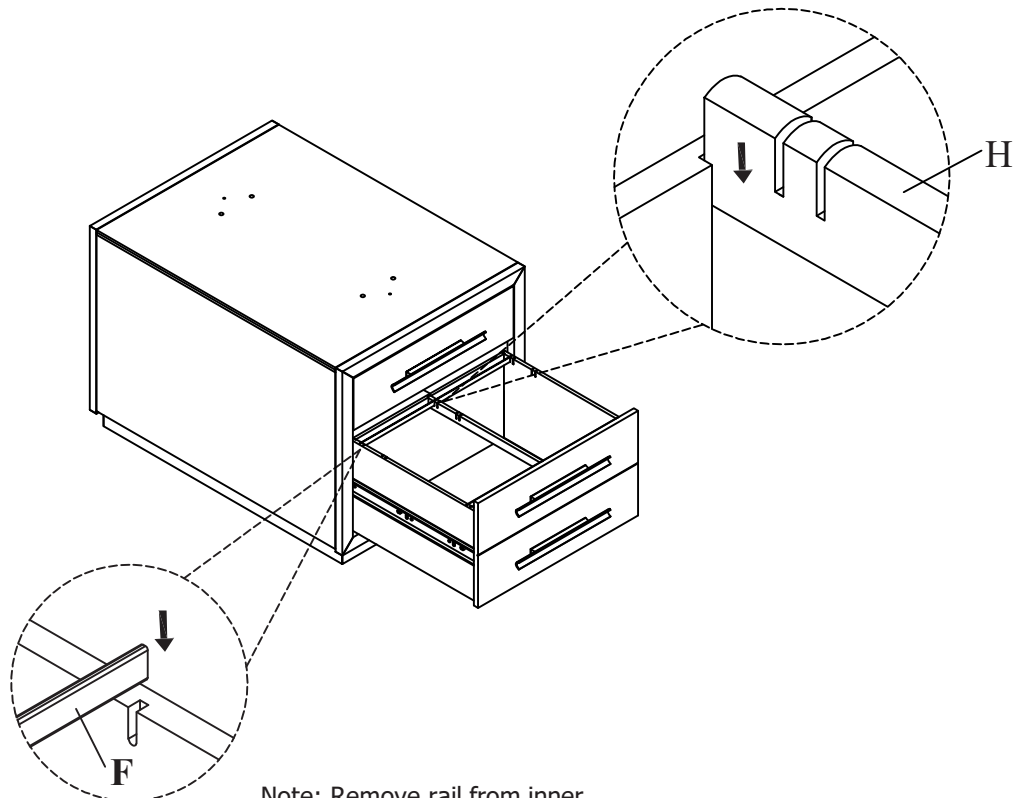
STEP 2



To remove the drawer:

- A. Pull the drawer fully open so the black lever is visible in the inside channel of the guides.
- B. Push 'down' on the right lever and 'up' on the left lever. While holding levers in place, pull drawer forward until slides release. If the slides will not release, push both levers in opposite directions.

STEP 3



Note: Remove rail from inner box.