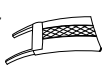


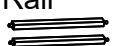


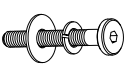
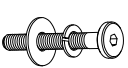
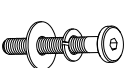


# ASSEMBLY INSTRUCTIONS

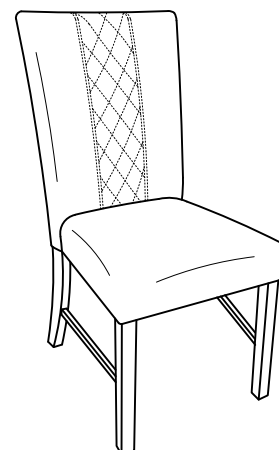
MODEL : 2309S ARLENE SIDE CHAIR

## PART LIST

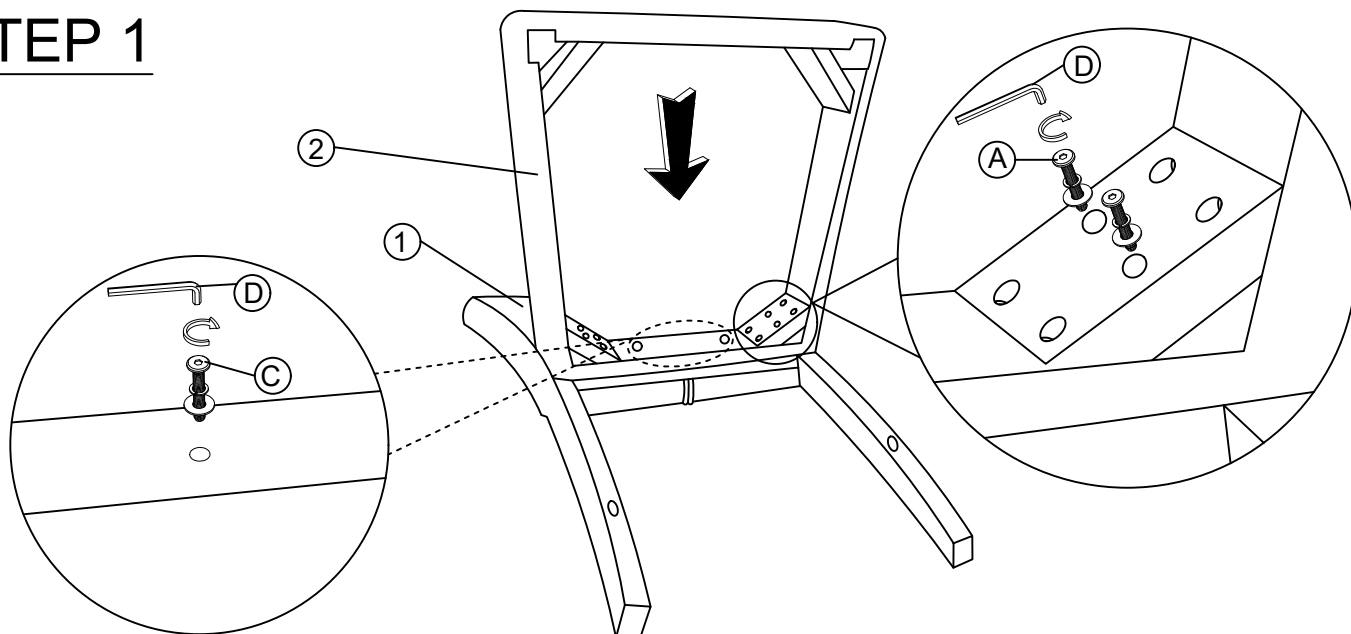
ITEM	PART NAME	QTY
1	Chair Back 	1PC
2	Chair Seat 	1PC
3	Leg R&L 	2PCS
4	Side Rail R&L 	2PCS

## HARDWARE LIST

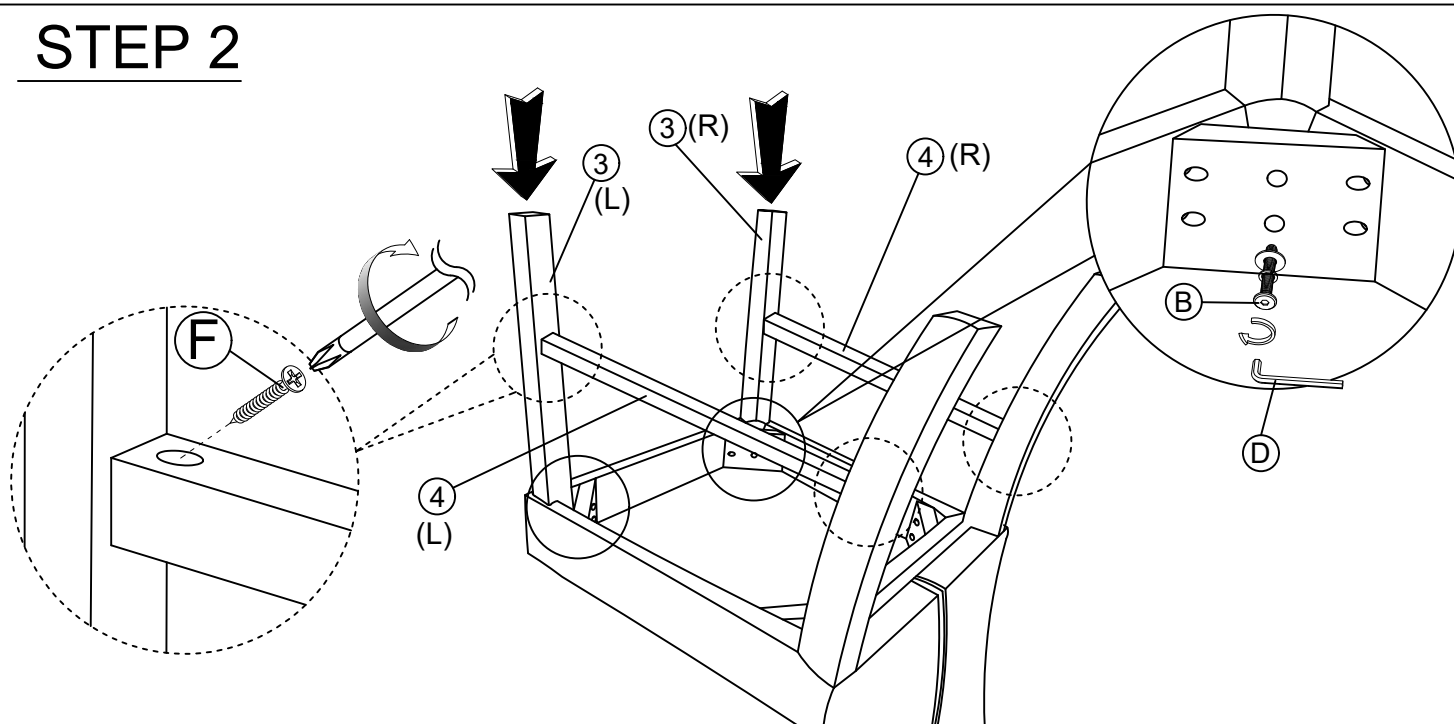
ITEM	HARDWARE LIST	DESCRIPTION	QTY
A	JCBC M6 X 80MM + SPRING & FLAT WASHER		4PCS
B	JCBC M6 X 60MM + SPRING & FLAT WASHER		4PCS
C	JCBC M6 X 40MM + SPRING & FLAT WASHER		2PCS
D	Allen Key		1PC
F	CSK M4 X 38MM		4PCS



## STEP 1



## STEP 2



THE HARDWARE IS LOCATED IN THE PACKING ITEMS.