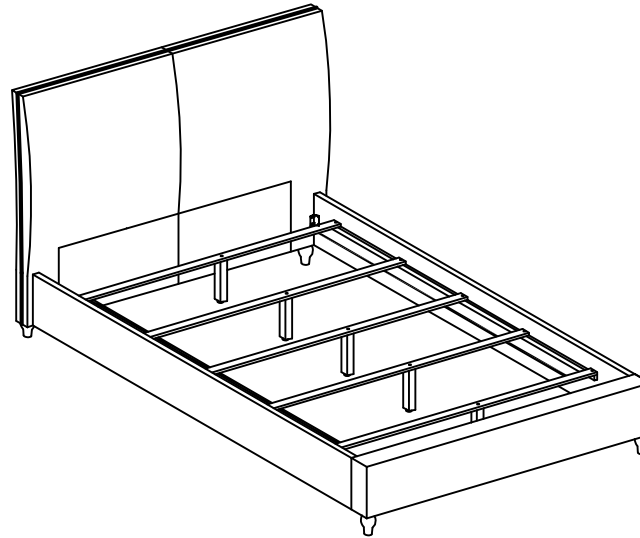


ASSEMBLY INSTRUCTION

MODEL : #5106 (5')

Step 1 : After complete assemble the slats. Proceed to step 2.




(BOX 3)#5106-Q-DECK
BOX OF DECKING BOARD

A		5 pcs
---	---	-------

DECKING
BOARD

(BOX 3)#5106-Q-DECK
HARDWARE LIST

B		25 pcs
---	--	--------

CSK M4 x 25mm

Step 2 : Tighten the MDF Board (A) with CSK screw (B).

