



BOX OF HEADBOARD (BOX 1)

1	PB5611-64H		X1
2	PB5611-54HGY-HL1		X1
3	PB5611-54HGY-HL2		X1
4	PB5611-54HGY-SR		X2
5	PB5611-54HGY-MP		X1
E	PB5611-54HGY-HD	 5/16" DIAMETER X 3/4" X 1/16"	X12
F	PB5611-54HGY-HD	 5/16" DIAMETER X 1/2" X 1/16"	X12
G	PB5611-54HGY-HD	 5/16" DIAMETER X 1 1/2" LENGTH	X12
H	PB5611-54HGY-HD	 3/16"	X1

BOX OF SIDE RAIL (BOX 2)

7	PB5611-74R		X2
11	PB5611-74RGY-CL		X2
A	PB5611-54RGY-HD	 5/16" DIAMETER X 4 5/16" LENGTH	X8
B	PB5611-54RGY-HD	 5/16" DIAMETER	X8
C	PB5611-54RGY-HD	 5/16" DIAMETER X 5/8"	X8
D	PB5611-54RGY-HD	 1/2"	X1
J	PB5611-74RGY-HD	 5/16" DIAMETER X 2 1/2" LENGTH	X8

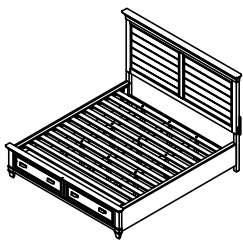
BOX OF FOOTBOARD, SLATS & SUPPORT LEG (BOX 3)

6	PB5611-64SF		X1
8	P99-00KRS-SFB-HL	 Included 13 pcs (1 set)	X1 (1 set)
9	PB5611-54SFGY-BS		X3
10	PB5611-54SFGY-SS		X9
I	P99-00SR	 M4 X 1 1/4"	X29

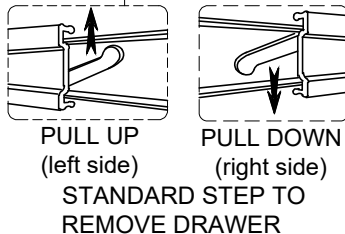
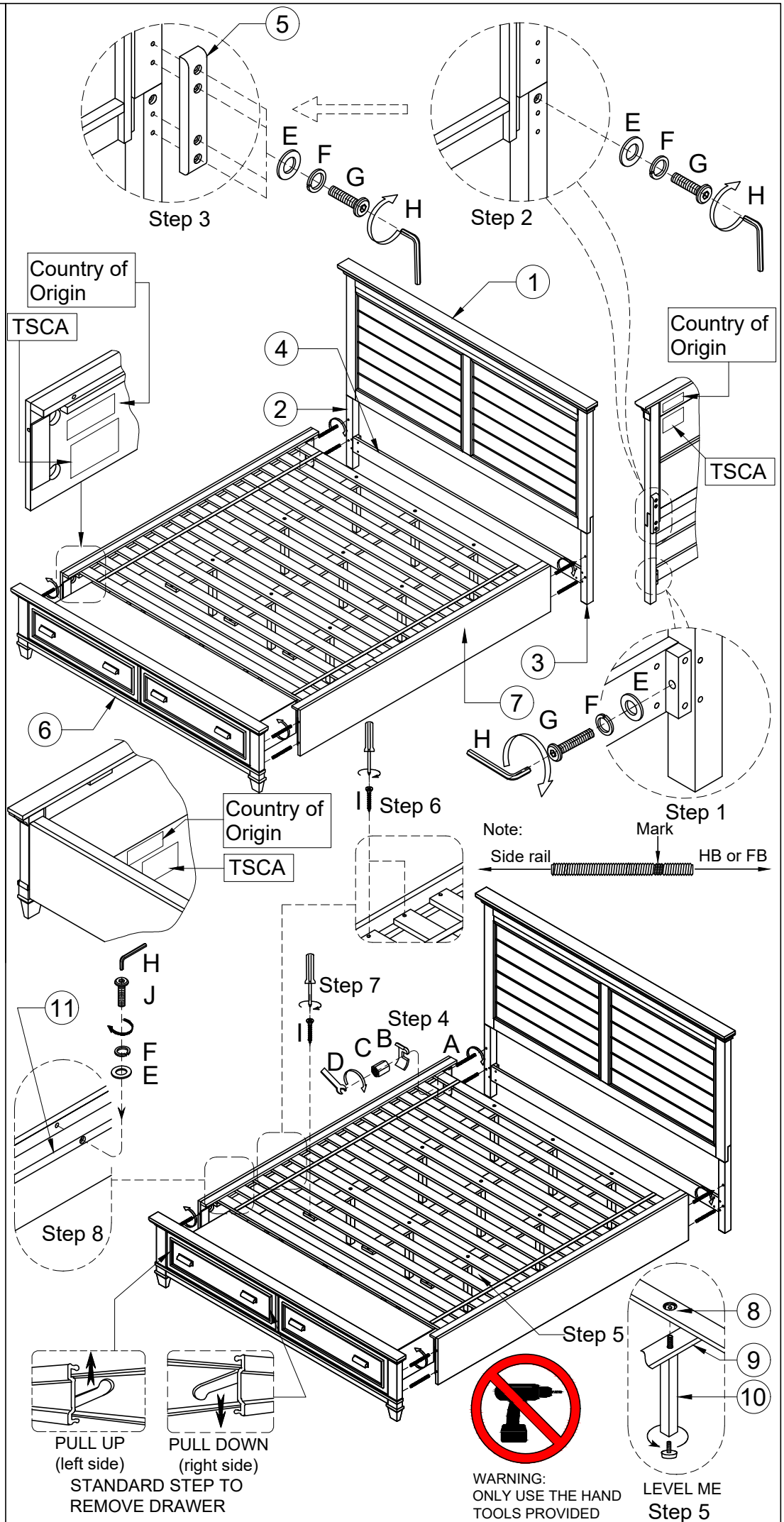
TOOLS REQUIRED (NOT PROVIDED):

PHILLIPS SCREW DRIVER

CATHERINE



329978 / B5611-75GY
GREY CALIFORNIA KING STORAGE BED



WARNING:
ONLY USE THE HAND TOOLS PROVIDED

