



LIVING SPACES

ASSEMBLY INSTRUCTIONS

ITEM 305-P334120/P334121

SORENSEN ARMOIRE BASE / SORENSEN ARMOIRE TOP

Thank you for purchasing this quality product. Be sure to check all packing material carefully for small hardware which may have come loose inside the carton during shipment. Identify and count all hardware and compare with the hardware list below.

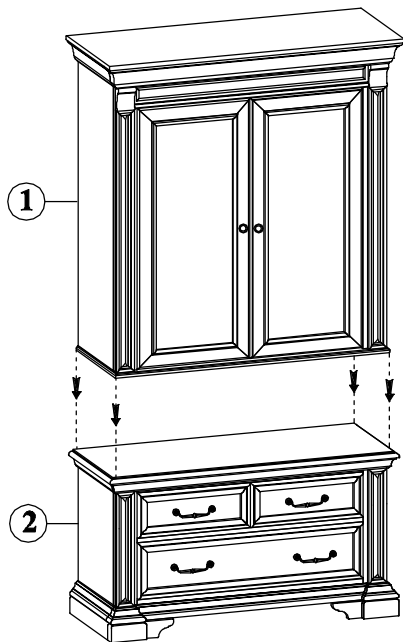
When placing furniture on non-carpeted flooring, HMI recommends the use of floor protection such as an area rug or furniture pads. Area rugs and padding not included with purchase.

PARTS LIST

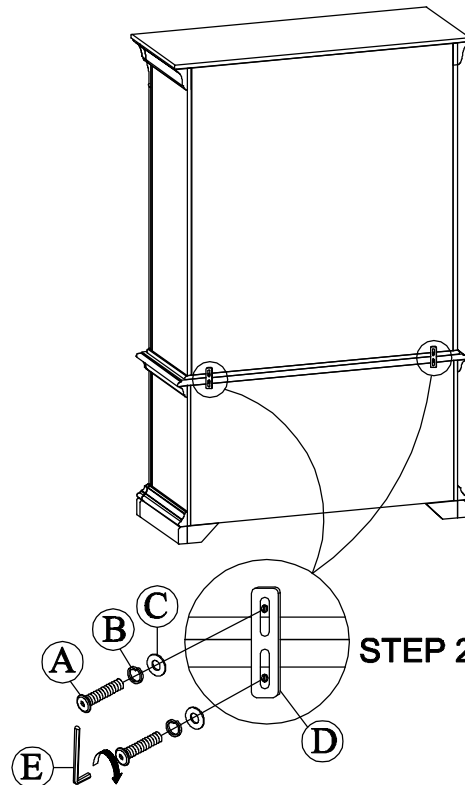
No.	Description	Sketch	Quantity
1	Armoire Top		1
2	Armoire Base		1

HARDWARE LIST

No.	Description	Sketch	Size	Quantity
A	Bolt		1/4" x 1"	4
B	Lock washer		1/4"	4
C	Flat washer		1/4" x 3/4"	4
D	Bracket		4" x 1"	2
E	Allen key		M4	1



STEP 1



STEP 2

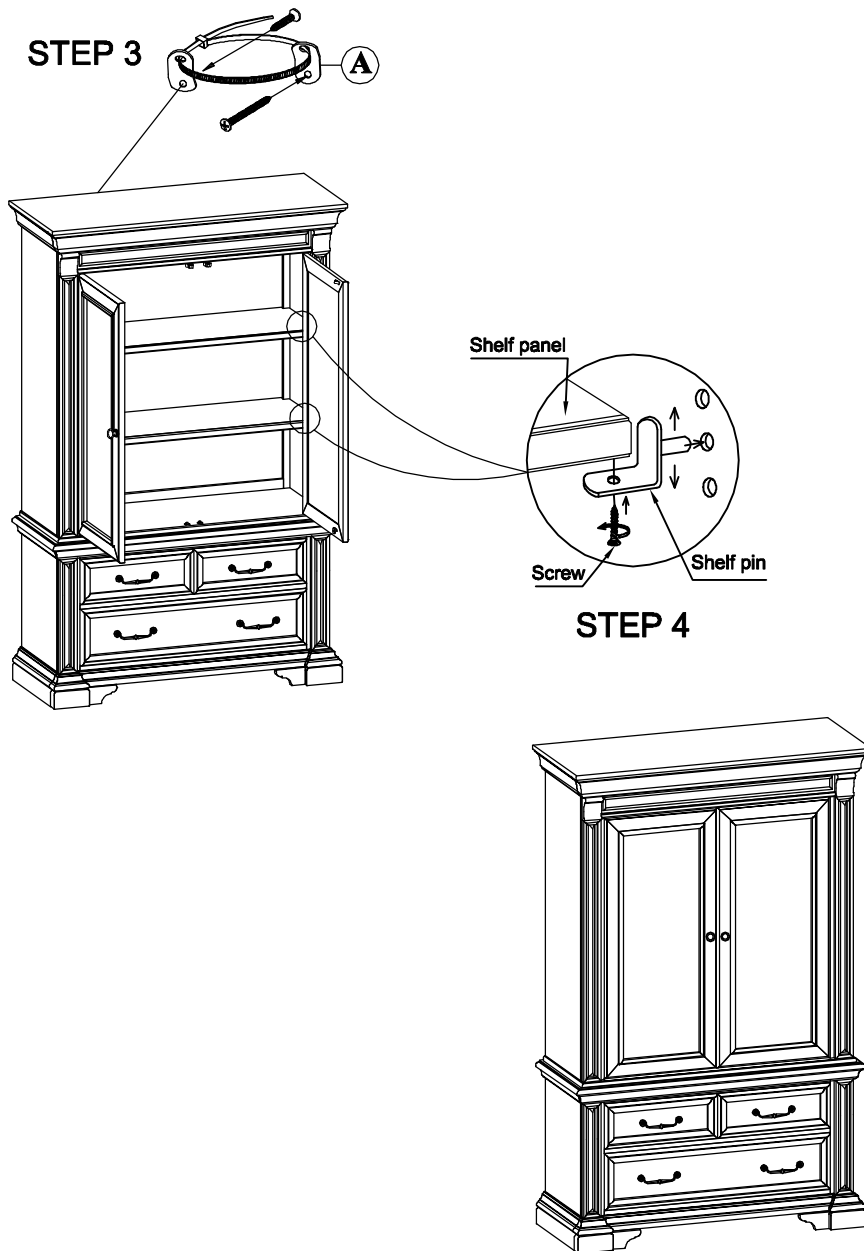


LIVING SPACES

ASSEMBLY INSTRUCTIONS

ITEM 305-P334120/P334121

SORENSEN ARMOIRE BASE / SORENSEN ARMOIRE TOP



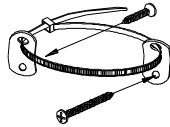


LIVING SPACES

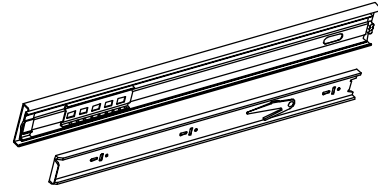
REPLACEMENT PARTS

ITEM 305-P335120/P335121

SORENSEN ARMOIRE BASE / SORENSEN ARMOIRE TOP



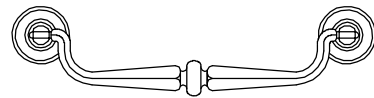
x1 RC-ANTI-TIP
Anti-tipping Restraint



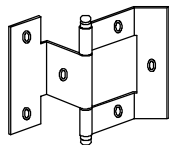
x2 COMGLIDE-10-45
Common Glide 10in-45mm



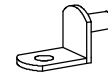
x2 RP334100-KNOB
Knob with Screw



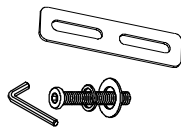
x4 RP334100-PULL
Pull with Screw



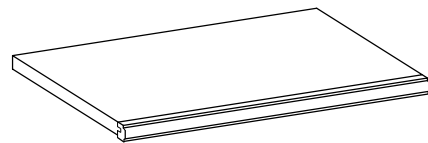
x6 RP334121-HINGE
Door Hinges



x8 RP334121-PIN
Shelf Pin



x2 RP334121-HWKIT
Hardware Kit include Bracket



x2 RP334121-SHELF
Wood Shelf



x2 RC-FG-BROWN
Brown Leveler



x2 RC-BR-NAIL
Brown Plastic Nail

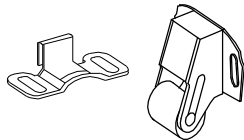


LIVING SPACES

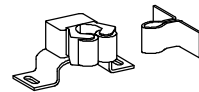
REPLACEMENT PARTS

ITEM 305-P335120/P335121

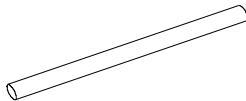
SORENSEN ARMOIRE BASE / SORENSEN ARMOIRE TOP



x2 RP334121-CATCHB
Roller Catch



x2 RP334121-CATCHT
Magnetic Catch



x1 RP334121-ROD
Removable clothes Rod