



# LIVING SPACES

## ASSEMBLY INSTRUCTIONS

ITEM 305-P334150 / 151 / 152

### 5/0 BED

Thank you for purchasing this quality product. Be sure to check all packing material carefully for small hardware which may have come loose inside the carton during shipment. Identify and count all hardware and compare with the hardware list below.

When placing furniture on non-carpeted flooring, HMI recommends the use of floor protection such as an area rug or furniture pads. Area rugs and padding not included with purchase.

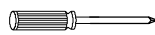
#### PARTS LIST

No.	Description	Sketch	Q.ty
1	Headboard Panel		1
2	Headboard Leg (Left & Right)		2
3	Footboard		1
4	Slat		5
5	Slat Support Leg		5
6	Side Rail		2

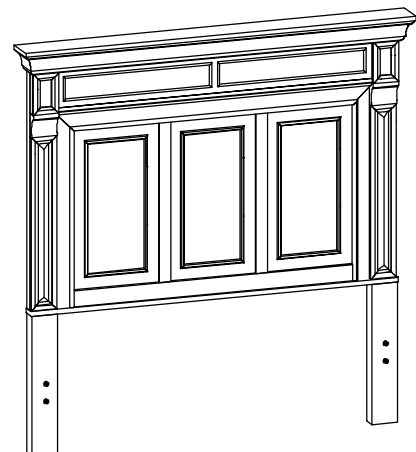
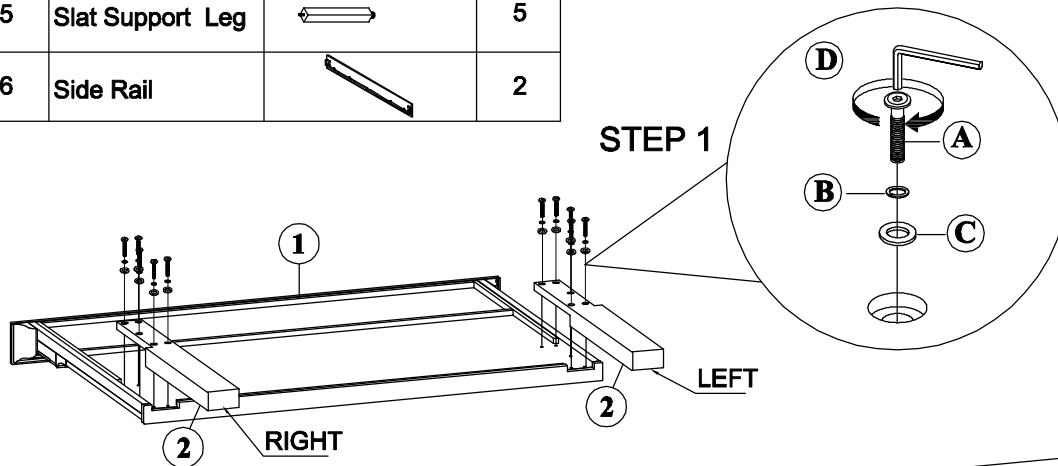
#### HARDWARE LIST

No.	Description	Sketch	Size	Q.ty
A	Allen bolt		1/4 " x 1-9/16"	10
B	Lock washer		1/4 "	10
C	Flat washer		1/4 " x 3/4"	10
D	Allen key		4mm	1
E	Wood screw		M4 x 1-1/4"	10

#### TOOLS REQUIRED (NOT PROVIDED)



PHILLIPS HEAD SCREWDRIVER





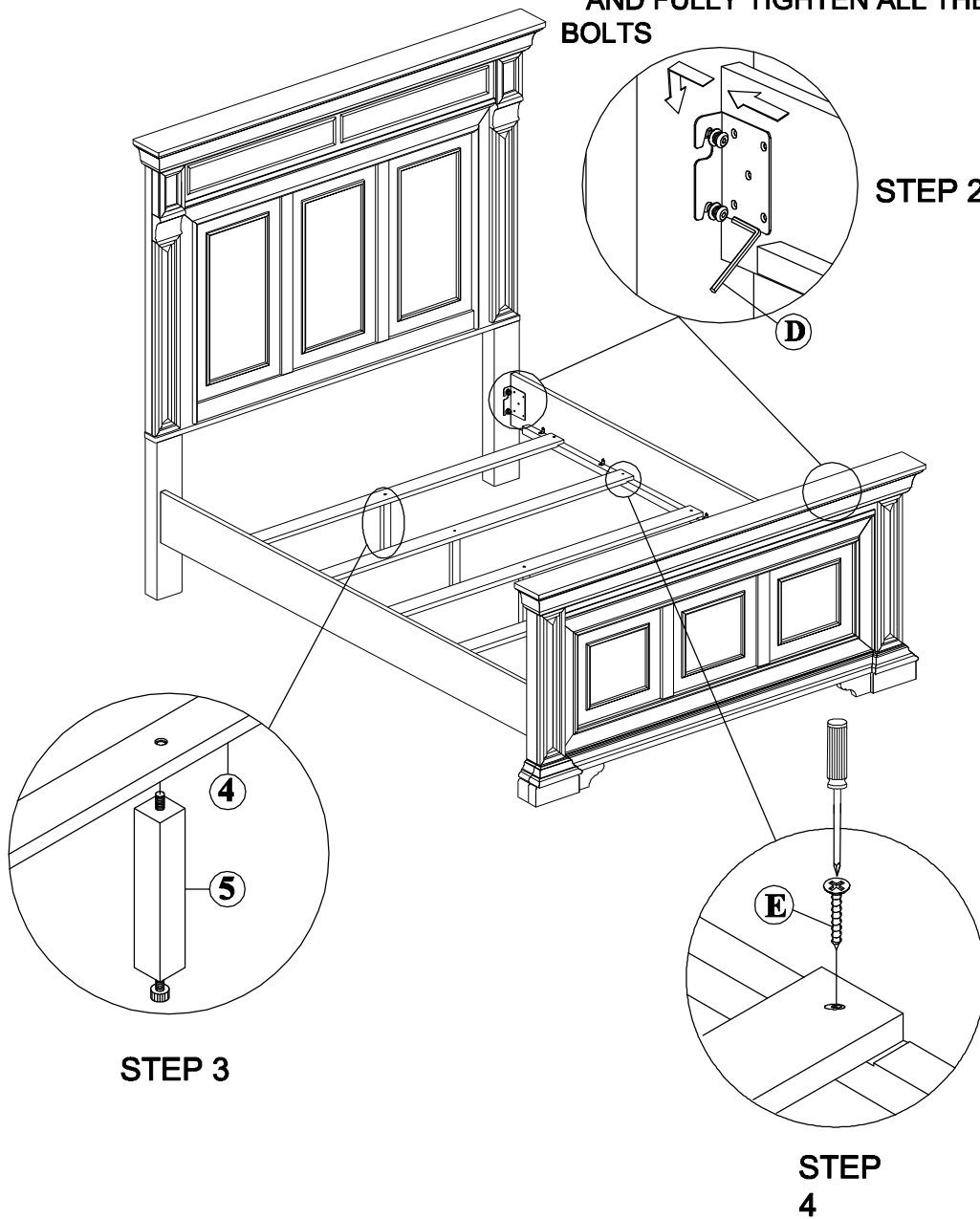
# LIVING SPACES

## ASSEMBLY INSTRUCTIONS

ITEM 305-P334150 / 151 / 152

5/0 BED

\* USE ALLEN KEY LOOSEN  
BOLTS THEN ATTACH RAILS  
AND FULLY TIGHTEN ALL THE  
BOLTS





# LIVING SPACES

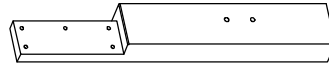
## REPLACEMENT PARTS

ITEM 305-P334150 / 151 / 152

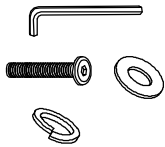
5/0 BED



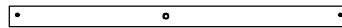
x1 RP334150-LEGR  
Right Leg



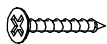
x1 RP334150-LEGL  
Left Leg



x1 RP334150-HWKIT  
Hardware Kit



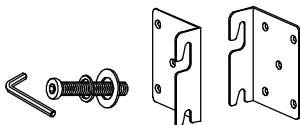
x5 RP334151-SLAT  
Slat



x10 RP334151-SCREW  
Screw



x5 RP334151-SULEG  
Slat Support Leg



x1 RP334152-BRACKET  
Bracket with Hardware