

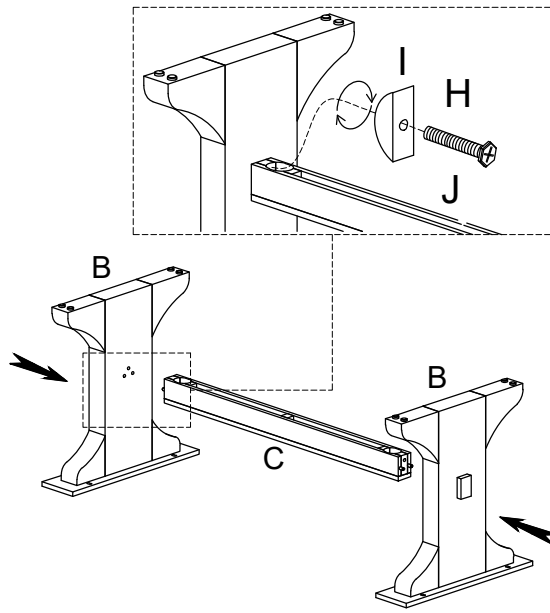


LIVING SPACES

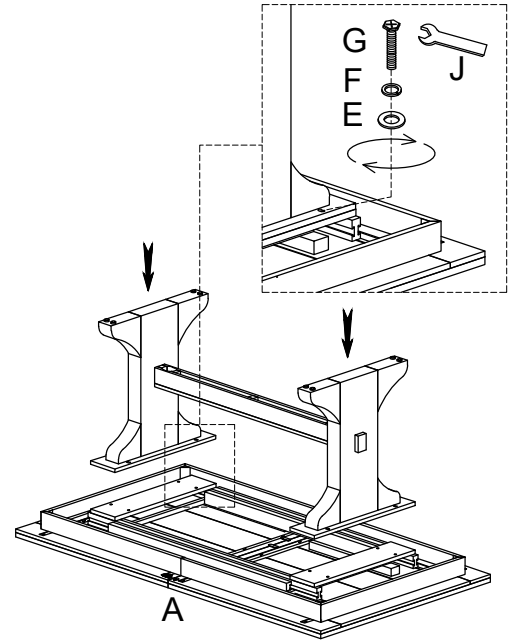
| | | | |
|---|---------------|--|----|
| A | PD5567-25TP | | X1 |
| B | PD5567-25LG | | X2 |
| C | PD5567-25SR | | X1 |
| D | PD5567-25HD-D | | X1 |
| E | PD5567-25HD-E | | X8 |
| F | PD5567-25HD-F | | X8 |
| G | PD5567-25HD-G | | X8 |
| H | PD5567-25HD-H | | X2 |
| I | PD5567-25HD-I | | X2 |
| J | PD5567-25HD-J | | X1 |

CAMBRIA

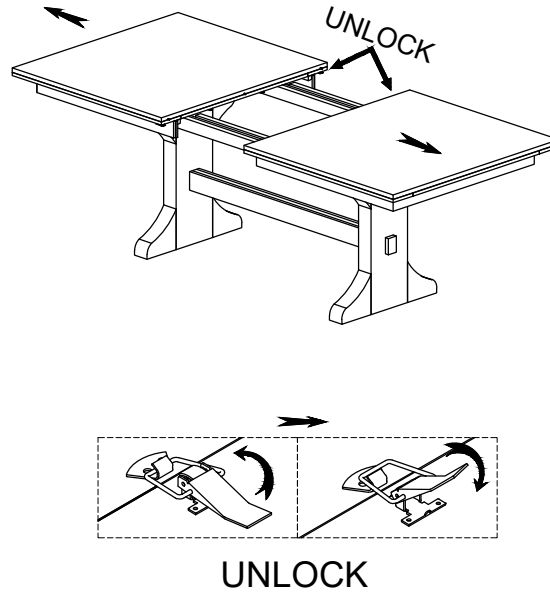
①



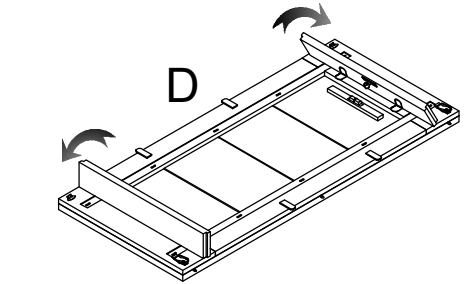
②



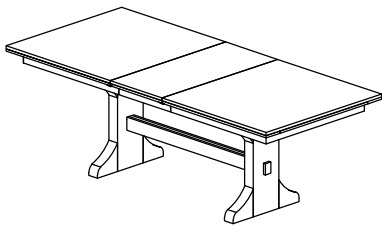
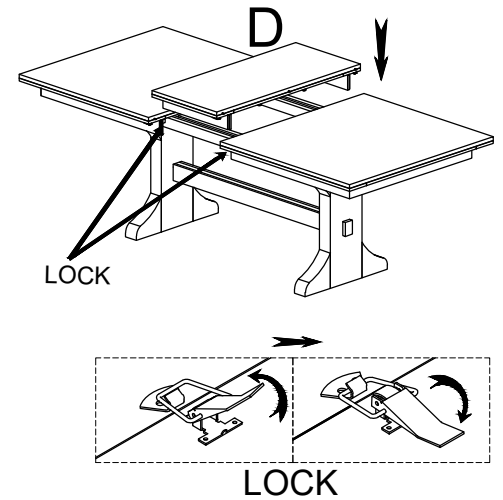
③



④



⑤



331474/D5567-25
TRESTLE DINING TABLE



Not provided



WARNING:
ONLY USE THE HAND
TOOLS PROVIDED