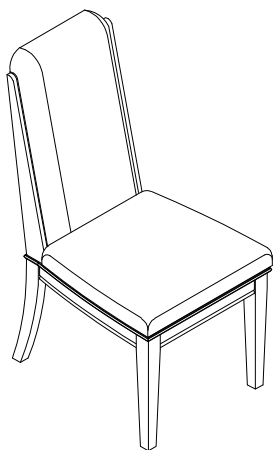




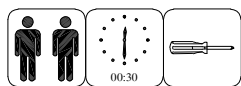
LIVING SPACES

|   |               |  |     |
|---|---------------|--|-----|
| A | PD5567-63CB   |  | X1  |
| B | PD5567-63FR   |  | X1  |
| C | PD5567-63LG   |  | X2  |
| D | PD5567-63HD-D |  | X3  |
| E | PD5567-63HD-E |  | X4  |
| F | PD5567-63HD-F |  | X4  |
| G | PD5567-63HD-G |  | X11 |
| H | PD5567-63HD-H |  | X11 |
| I | PD5567-63HD-I |  | X1  |

CAMBRIA

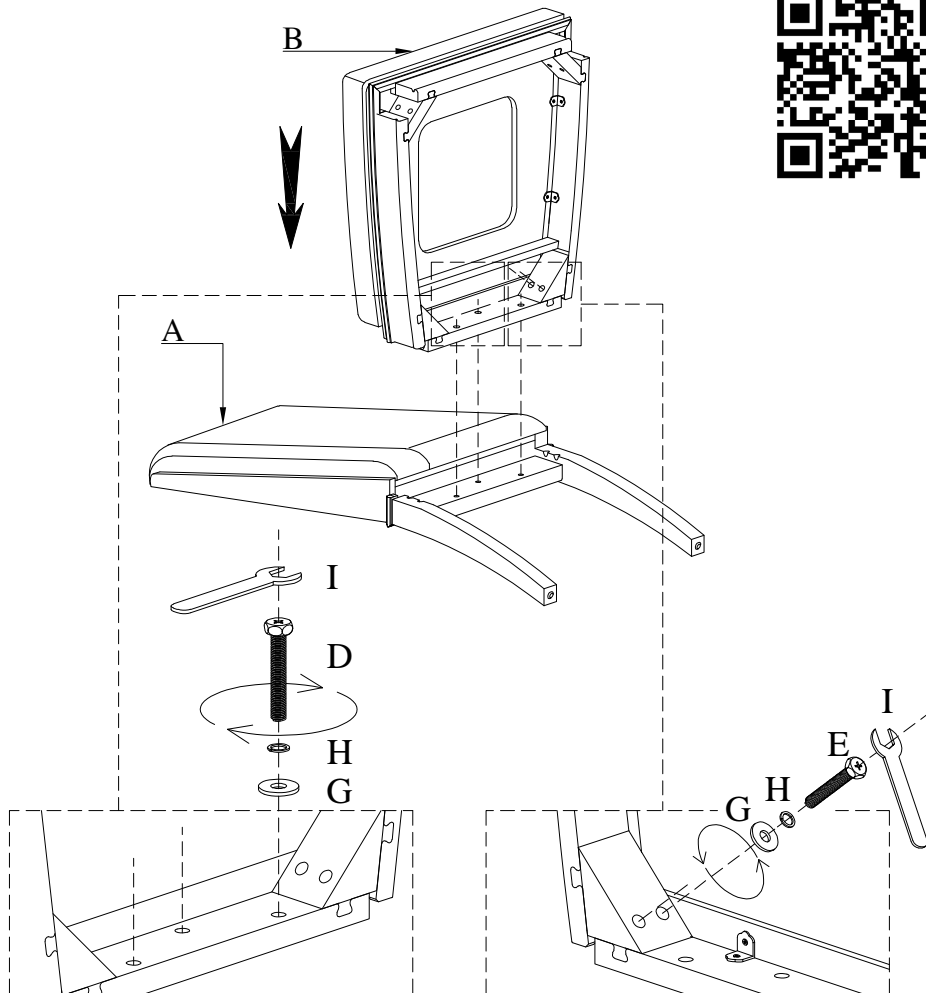


331475/LS-D5567-63  
UPH DINING CHAIR W/BACK



Not provided

①



②

