


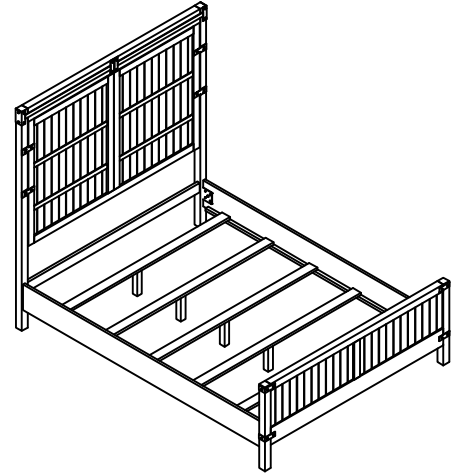
**STOREHOUSE ASSEMBLY INSTRUCTIONS**

ZSTR-7001 - STOREHOUSE QUEEN HEADBOARD

ZSTR-7002 - STOREHOUSE QUEEN FOOTBOARD AND SLATS

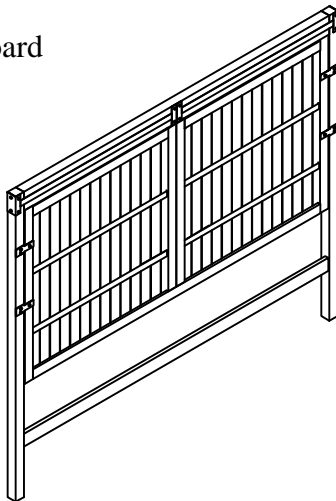
ZSTR-7003 - STOREHOUSE KING/ QUEEN RAILS

HARDWARE FOR QUEEN RAILS			
Part #	DESCRIPTION		QTY
1	Screw Ø4*30 mm		10 PCS



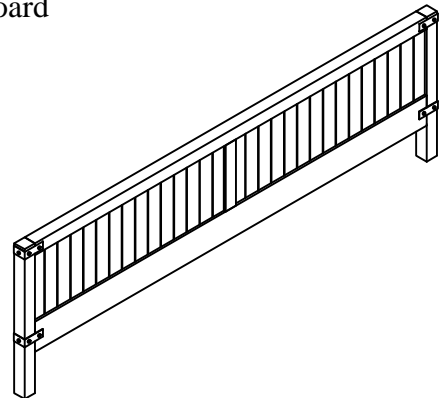
**PARTS DESCRIPTION**

A. Headboard



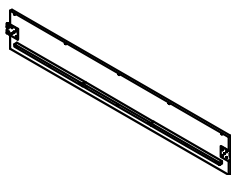
1 PC.

B. Footboard



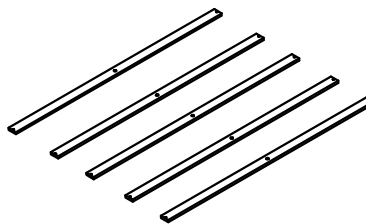
1 PC.

C. Side Rails



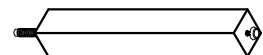
2 PCS.

D. Slats



5 PCS

E. Support Legs



5 PCS.

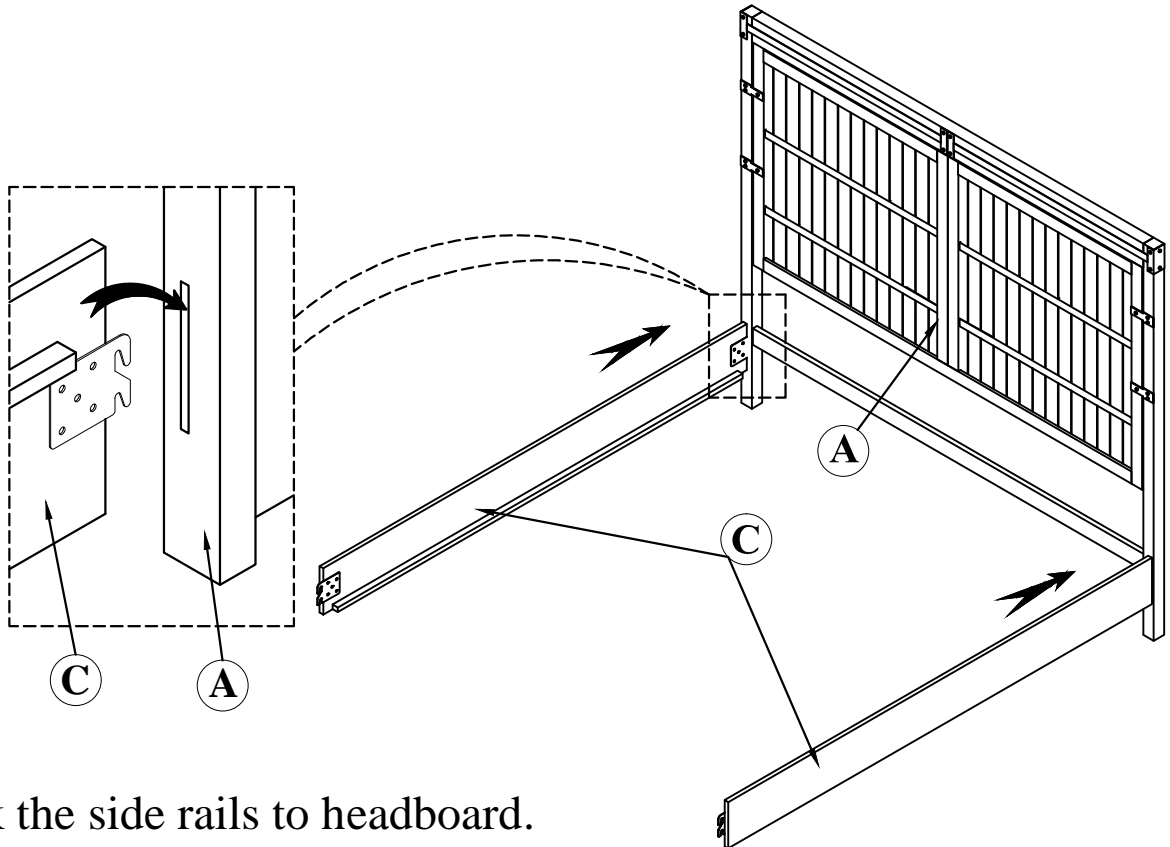
## STOREHOUSE ASSEMBLY INSTRUCTIONS

ZSTR-7001 - STOREHOUSE QUEEN HEADBOARD

ZSTR-7002 - STOREHOUSE QUEEN FOOTBOARD AND SLATS

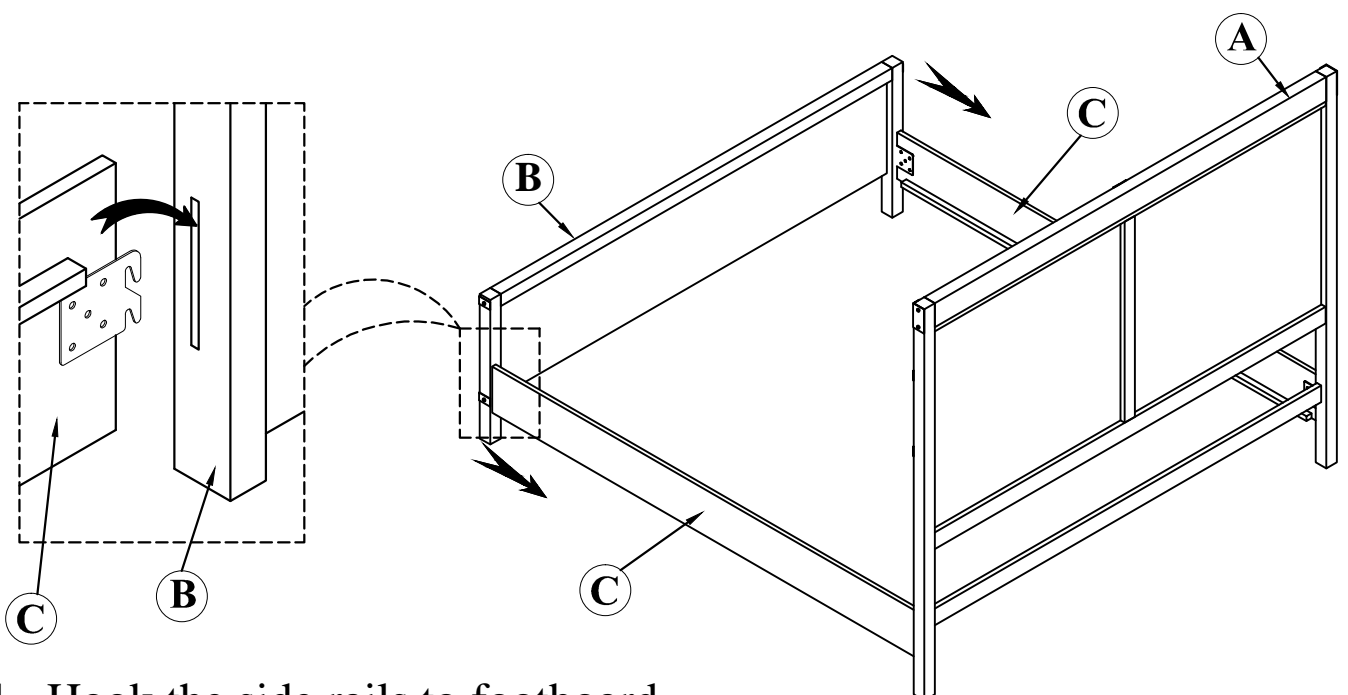
ZSTR-7003 - STOREHOUSE KING/ QUEEN RAILS

### Step 1:



1. Hook the side rails to headboard.

### Step 2:



1. Hook the side rails to footboard.

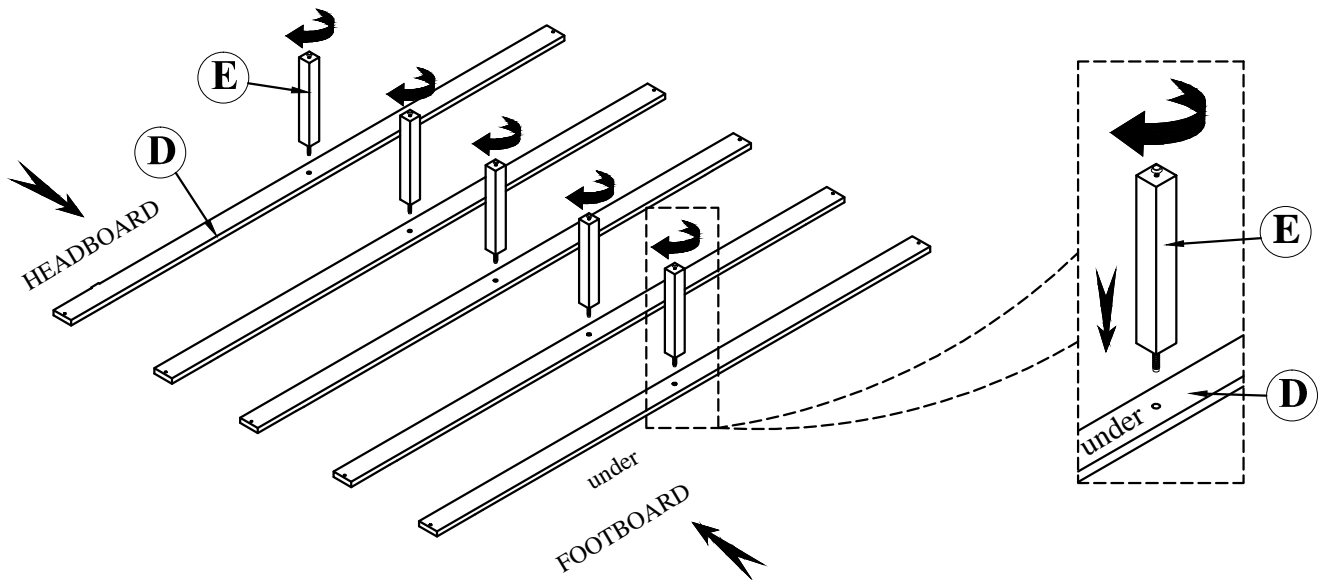
## STOREHOUSE ASSEMBLY INSTRUCTIONS

ZSTR-7001 - STOREHOUSE QUEEN HEADBOARD

ZSTR-7002 - STOREHOUSE QUEEN FOOTBOARD AND SLATS

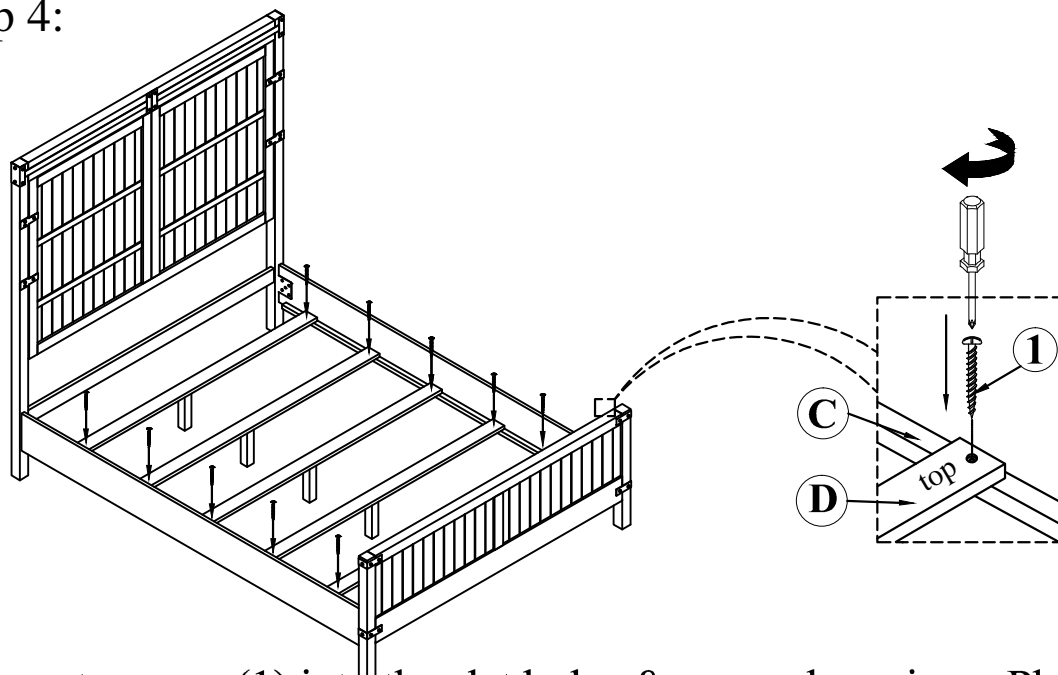
ZSTR-7003 - STOREHOUSE KING/ QUEEN RAILS

### Step 3:




1. Connect support legs (E) to slats (D).

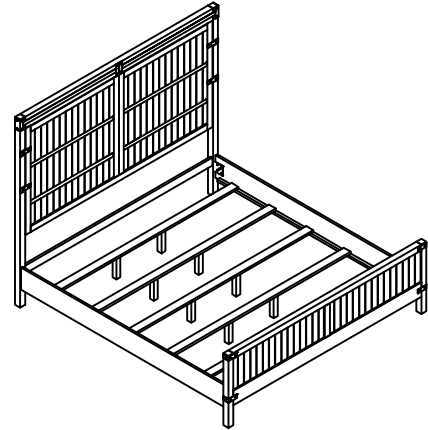
### Step 4:



1. Insert screws (1) into the slat holes & secure by using a Philip's Head Screwdriver. (Not included).

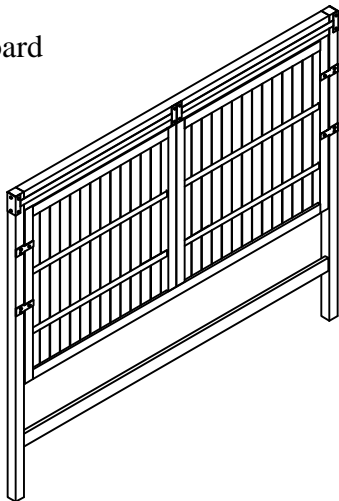
**STOREHOUSE ASSEMBLY INSTRUCTIONS**  
 ZSTR-7004 - STOREHOUSE KING HEADBOARD  
 ZSTR-7005 - STOREHOUSE KING FOOTBOARD AND SLATS  
 ZSTR-7003 - STOREHOUSE KING/ QUEEN RAILS

HARDWARE FOR KING RAILS			
Part #	DESCRIPTION		QTY
1	Screw Ø4*30 mm		10 PCS



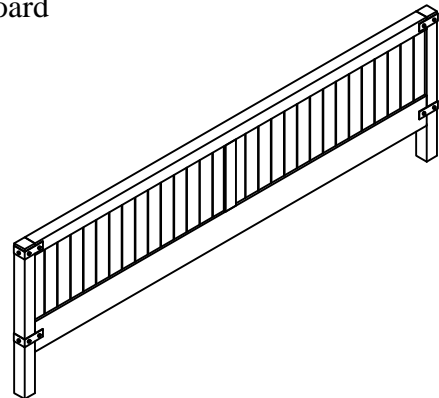
**PARTS DESCRIPTION**

A. Headboard



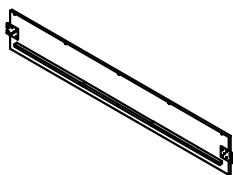
1 PC.

B. Footboard



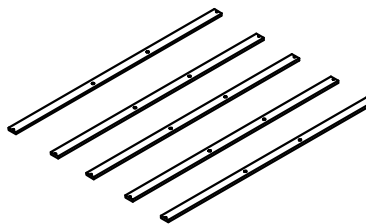
1 PC.

C. Side Rails



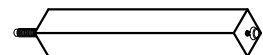
2 PCS.

D. Slats



5 PCS

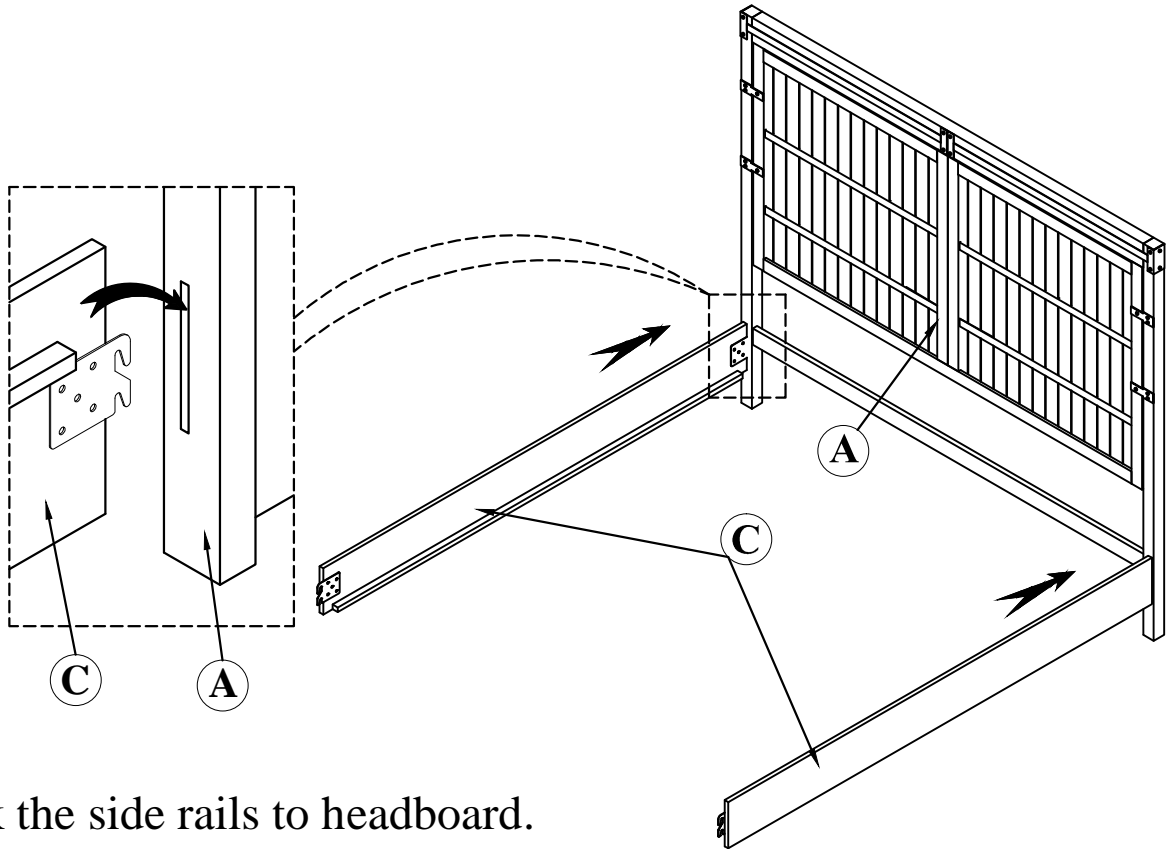
E. Support Legs



10 PCS.

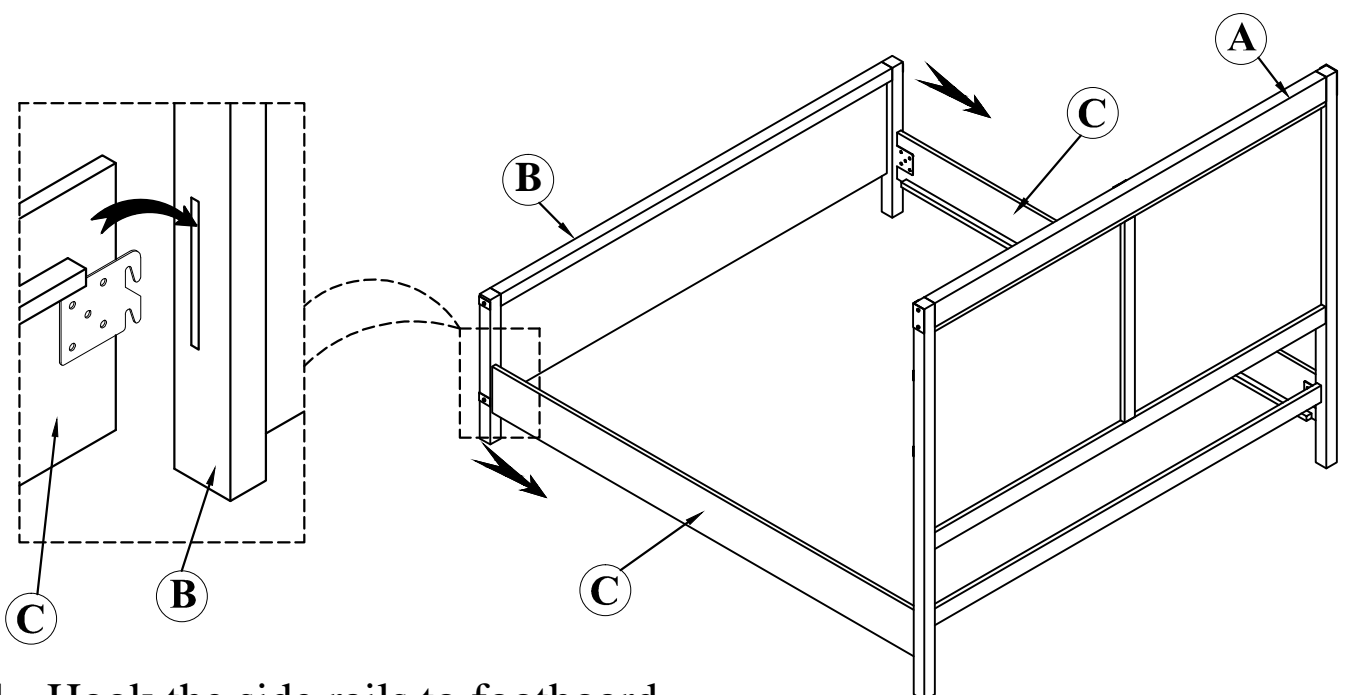
**STOREHOUSE ASSEMBLY INSTRUCTIONS**  
ZSTR-7004 - STOREHOUSE KING HEADBOARD  
ZSTR-7005 - STOREHOUSE KING FOOTBOARD AND SLATS  
ZSTR-7003 - STOREHOUSE KING/ QUEEN RAILS

**Step 1:**



1. Hook the side rails to headboard.

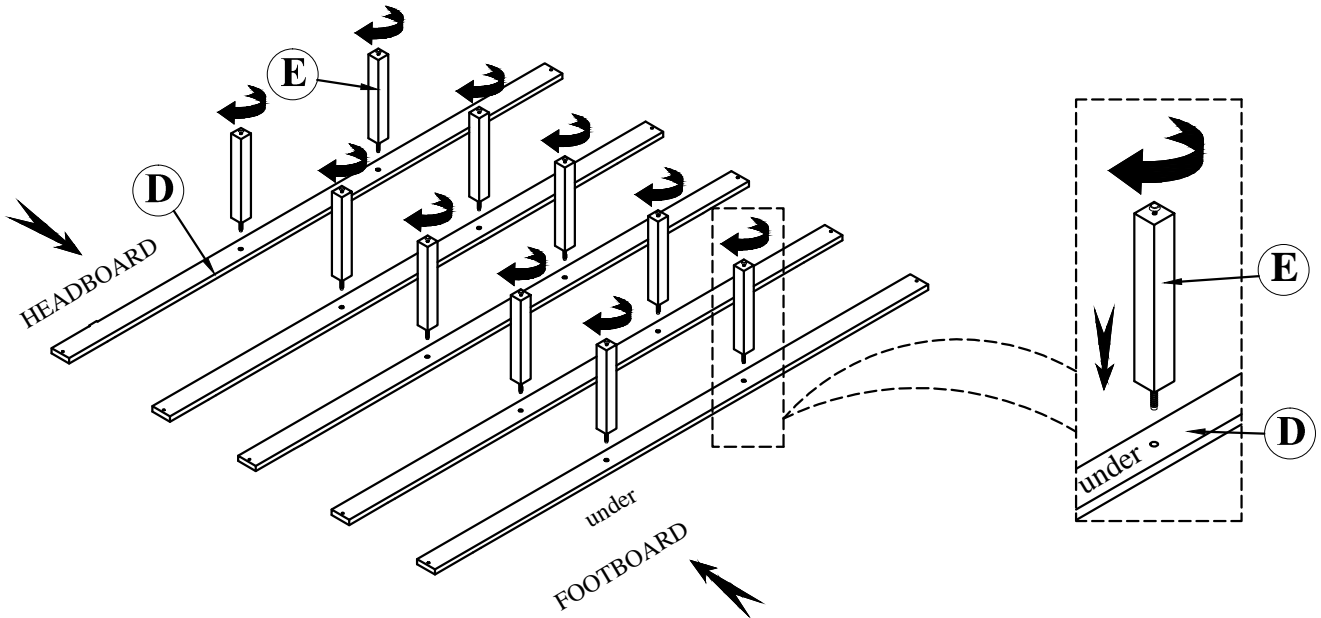
**Step 2:**



1. Hook the side rails to footboard.

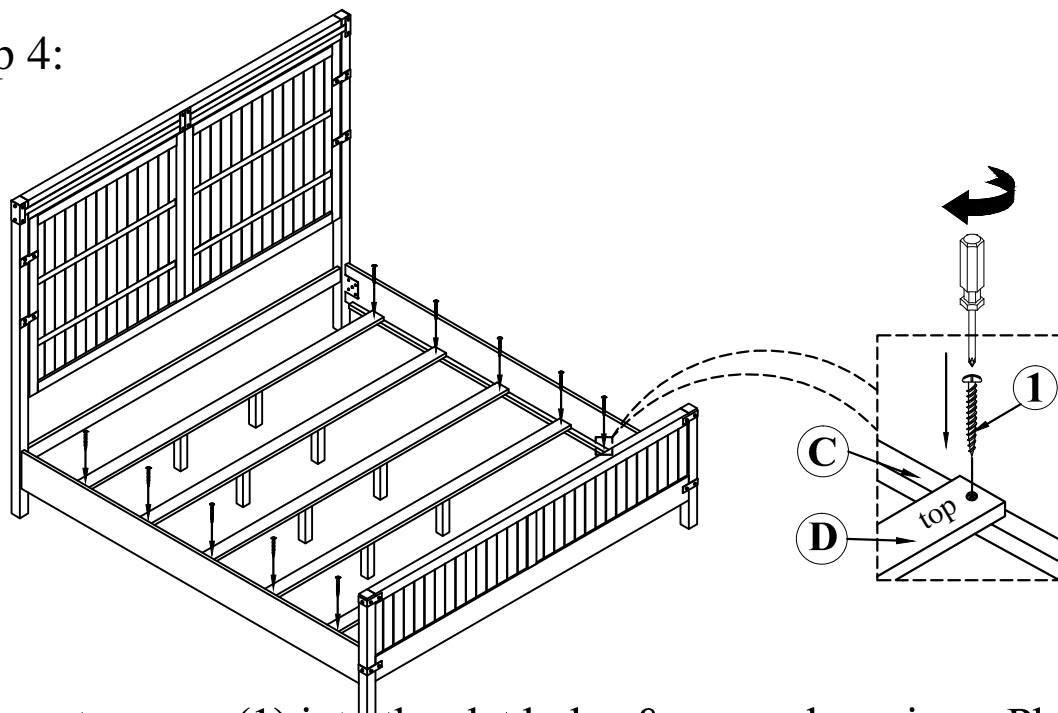
**STOREHOUSE ASSEMBLY INSTRUCTIONS**  
ZSTR-7004 - STOREHOUSE KING HEADBOARD  
ZSTR-7005 - STOREHOUSE KING FOOTBOARD AND SLATS  
ZSTR-7003 - STOREHOUSE KING/ QUEEN RAILS

**Step 3:**




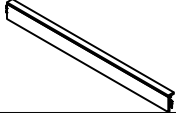
1. Connect support legs (E) to slats (D).

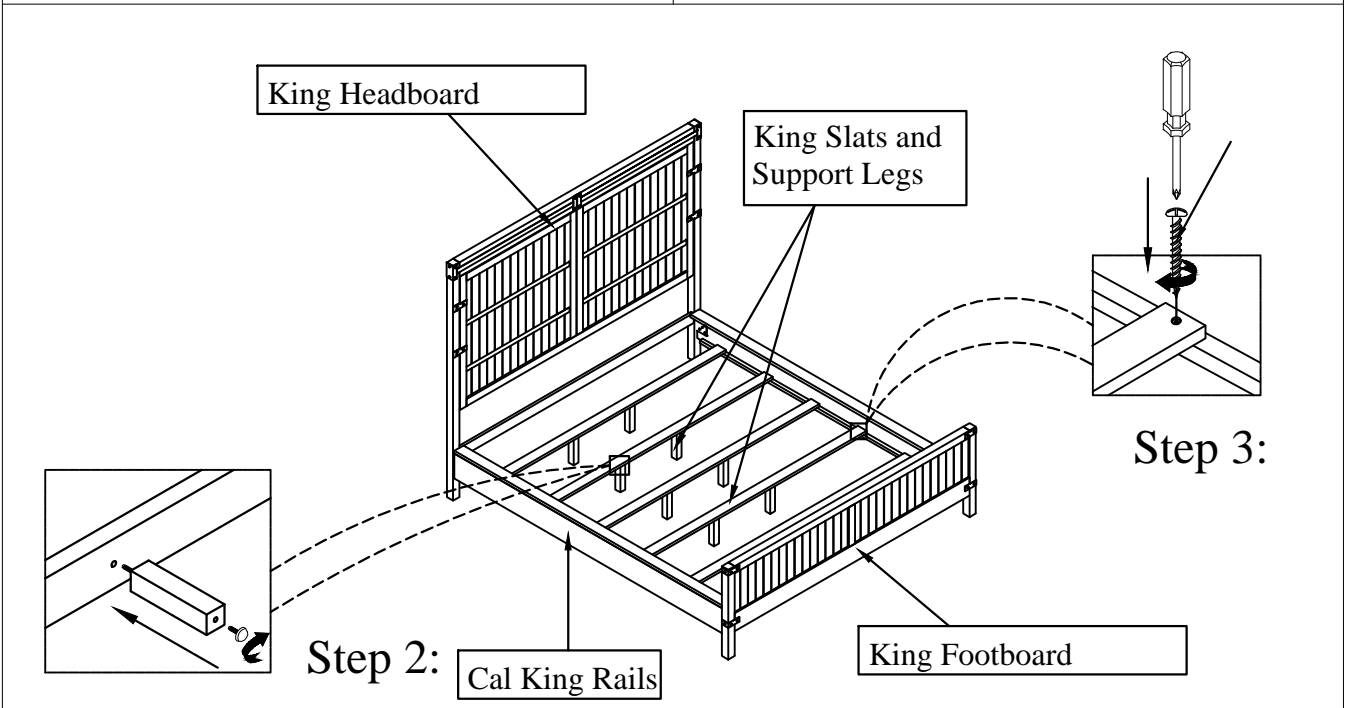
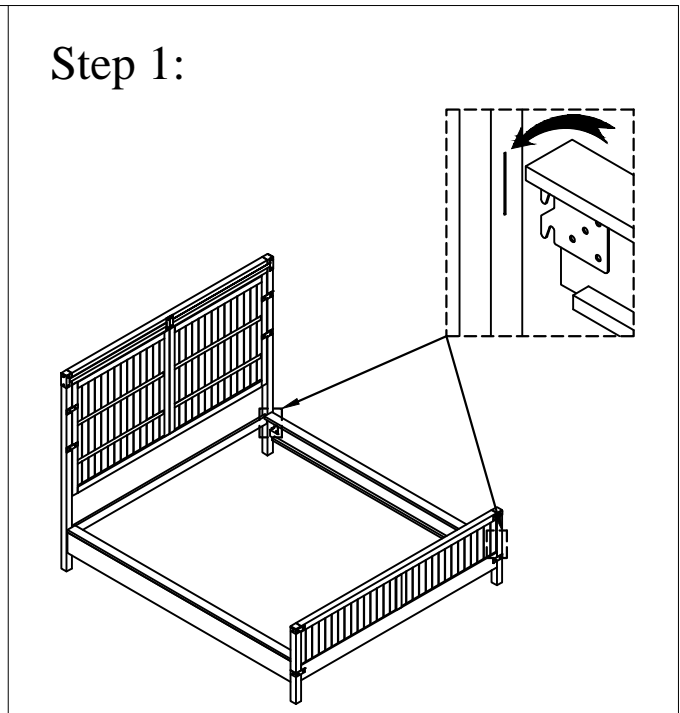
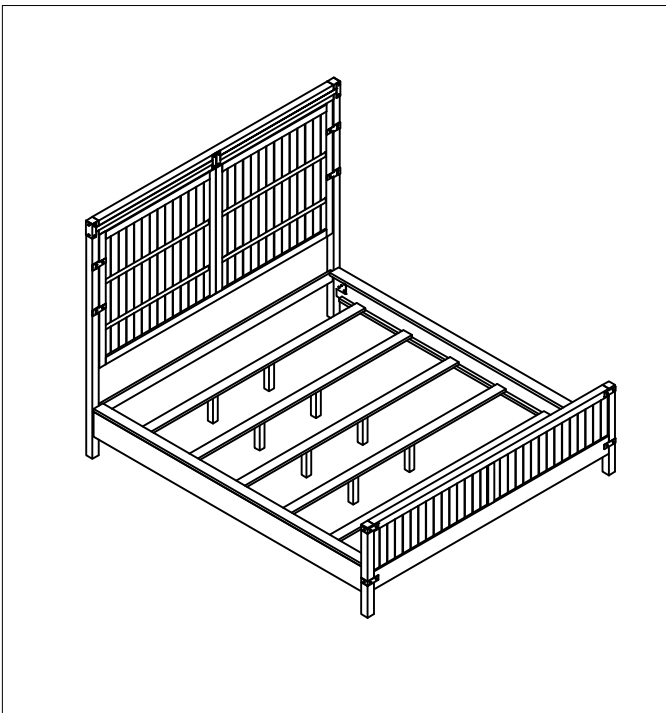
**Step 4:**




1. Insert screws (1) into the slat holes & secure by using a Philip's Head Screwdriver. (Not included).

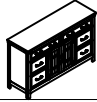


HARDWARE FOR CAL KING RAILS		
Part #	DESCRIPTION	QTY
1	Screw Ø4*30 mm 	10 PCS

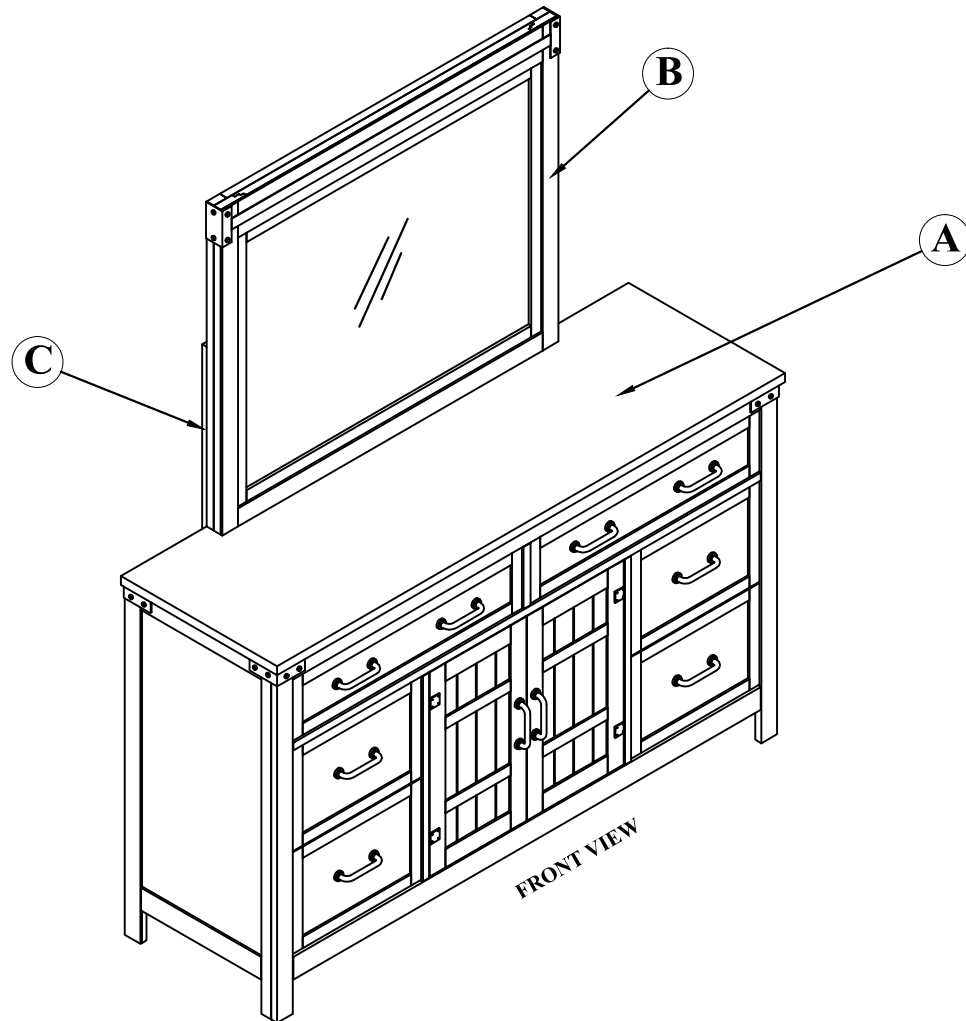
Part #	DESCRIPTION	QTY
A	Industrial Cal King Rails 	2 PCS



**STOREHOUSE ASSEMBLY INSTRUCTIONS**  
**ZSTR-7013 - STOREHOUSE DRESSER**  
**ZSTR-7014 - STOREHOUSE MIRROR**

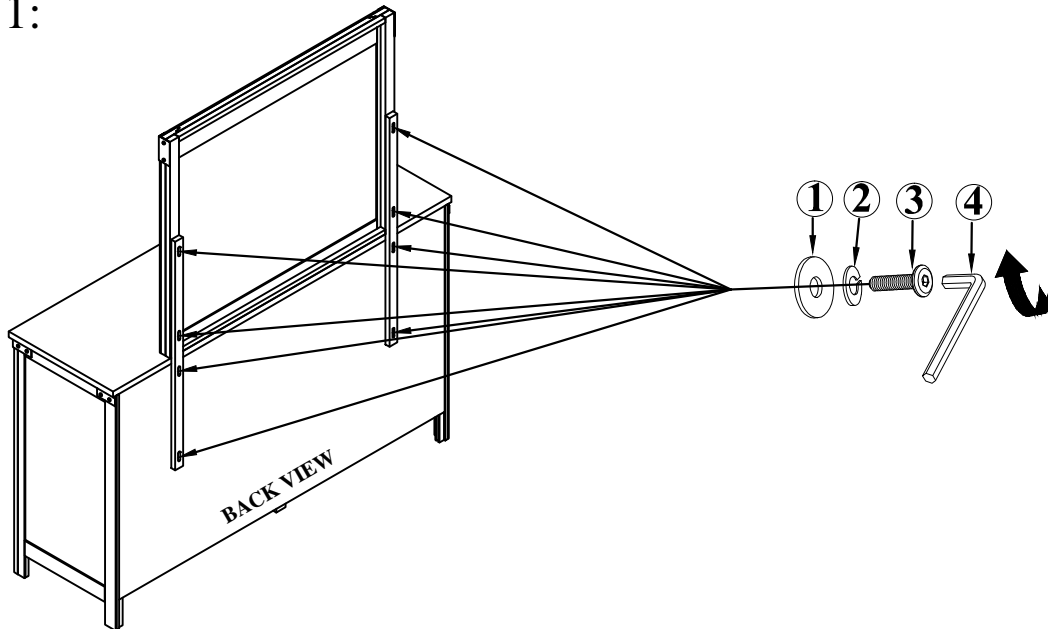
HARDWARE FOR MIRROR AND DRESSER			
Part #	DESCRIPTION		QTY
1	Flat Washer 5/16" x 19 mm		8PCS
2	Spring washer 5/16" x 13 mm		8PCS
3	Allen Bolt 5/16" x 38 mm		8PCS
4	Allen key		1 PC
	Straight Allen Key		1 PC
5	Tipping restraint		1 SET

Part #	DESCRIPTION		QTY
A	Dresser		1PC
B	Mirror		1PC
C	Mirror Support		2PCS



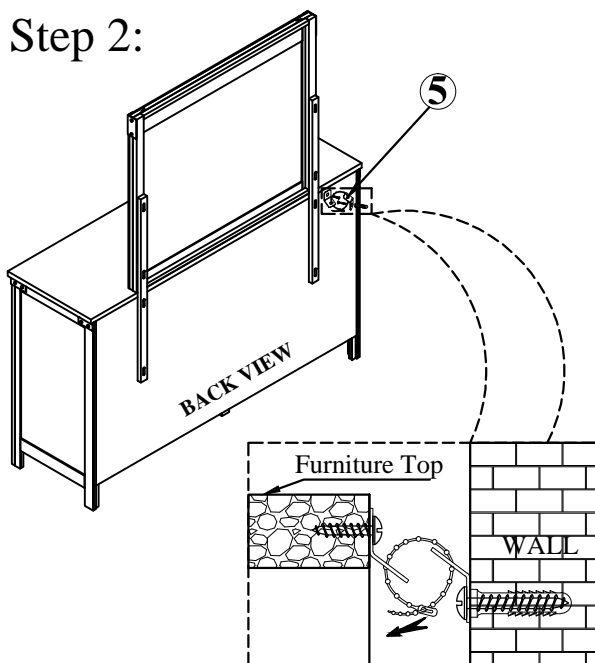


**Step 1:**

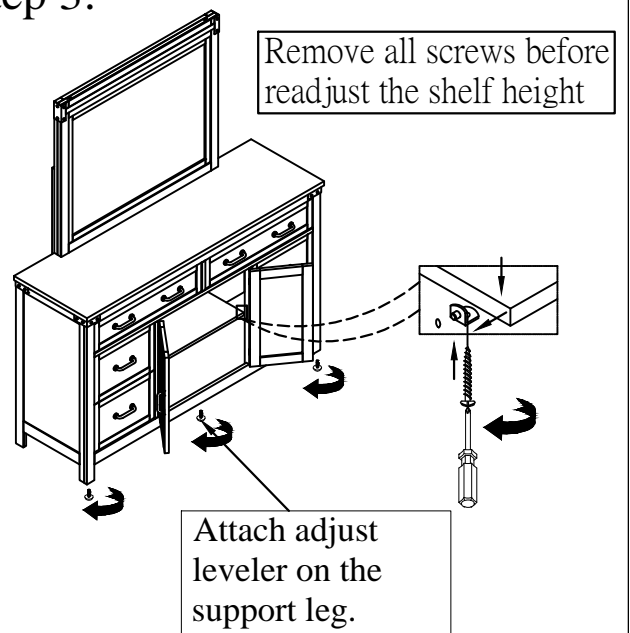


Attach Mirror Support to Dresser back and Mirror on Dresser using Flat Washer (1), Spring Washer (2), Allen Bolt (3), Allen key (4).


**Step 2:**


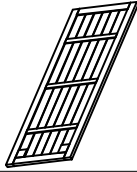


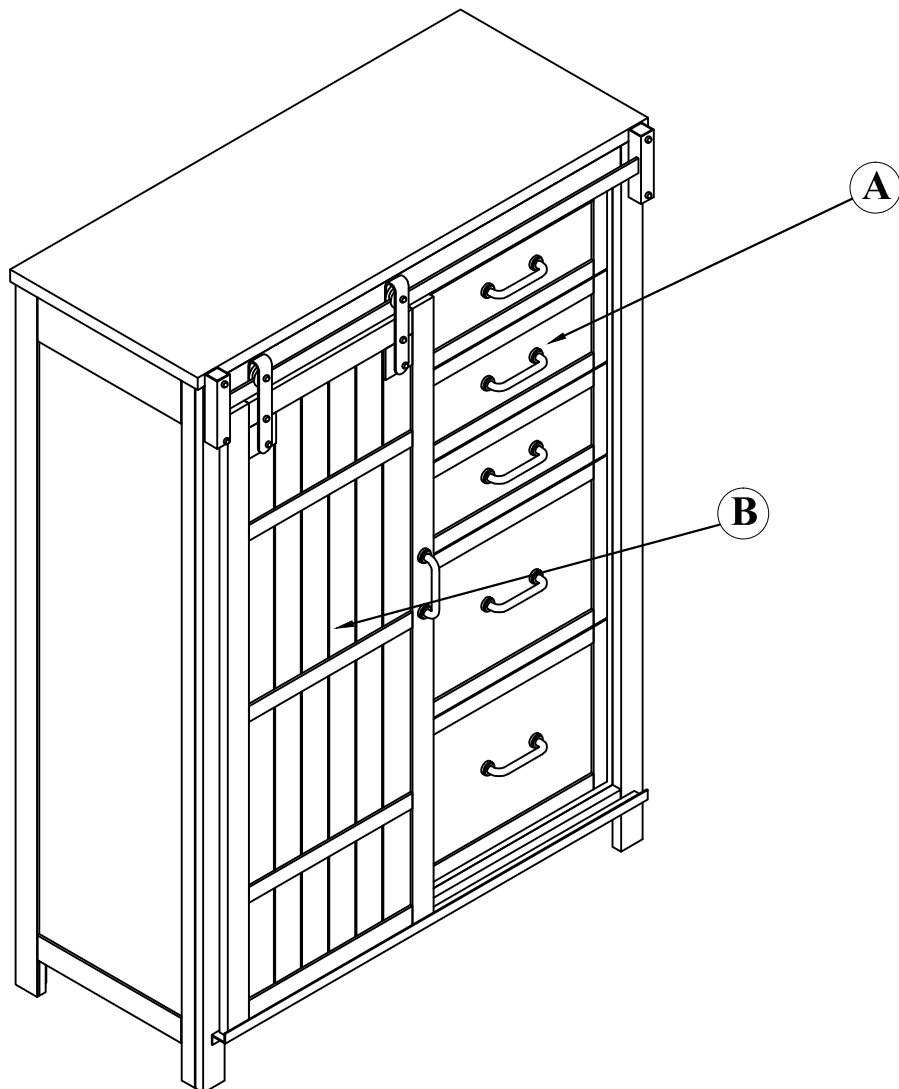
**Step 3:**



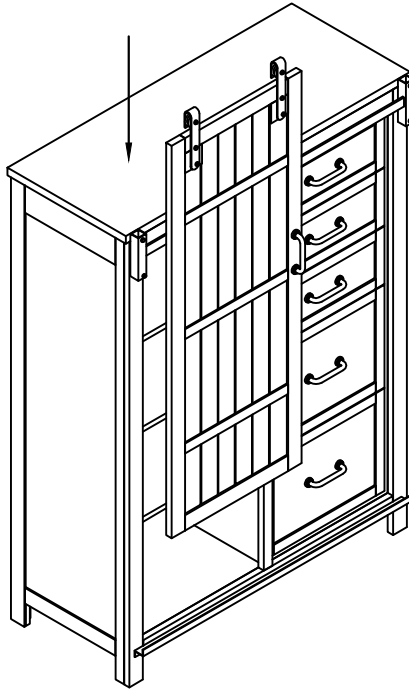
For your safety, please install tipping restraint by following instructions inside of the bag.

HARDWARE FOR CHEST		
Part #	DESCRIPTION	QTY
1	Tipping restraint 	1 SET

Part #	DESCRIPTION		QTY
A	Chest		1PC
B	Door		1PC

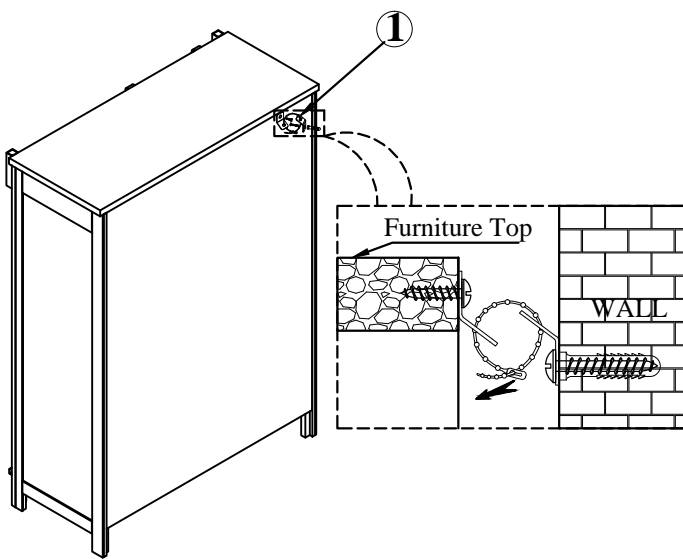


**Step 1:**



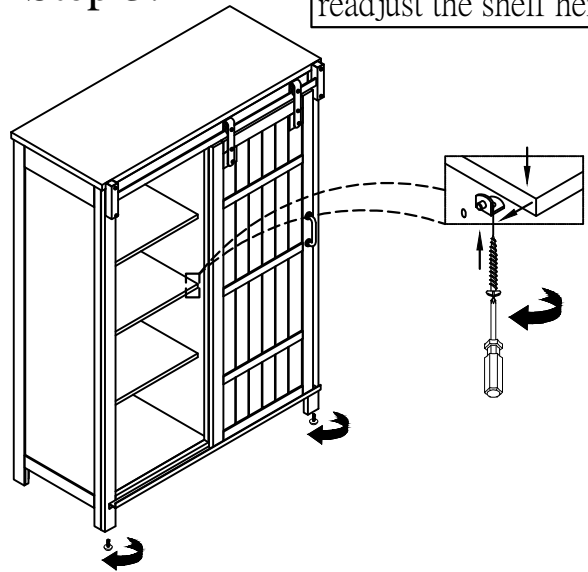
Attach door to chest.

**Step 2:**



**Step 3:**

Remove all screws before readjust the shelf height



For your safety, please install tipping restraint by following instructions inside of the bag.

Thank you for choosing Legends Furniture!