
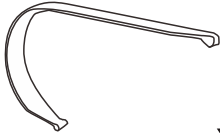
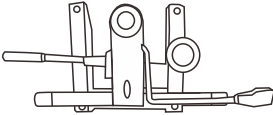

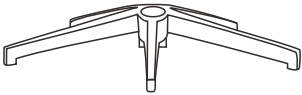












ITEM NAME /NOM D' ITEM:GLIDER HI BACK OFFICE CHAIR

ITEM # /NO. ITEM:100373 (TAUPE)

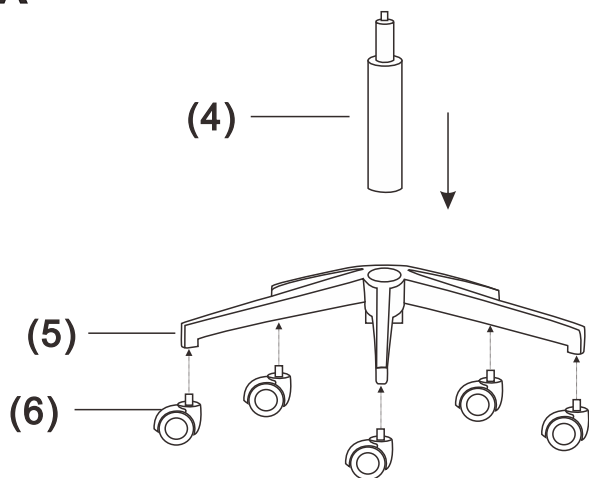
Enquiry:parts@zuomod.com

PART LIST/Liste des pièces

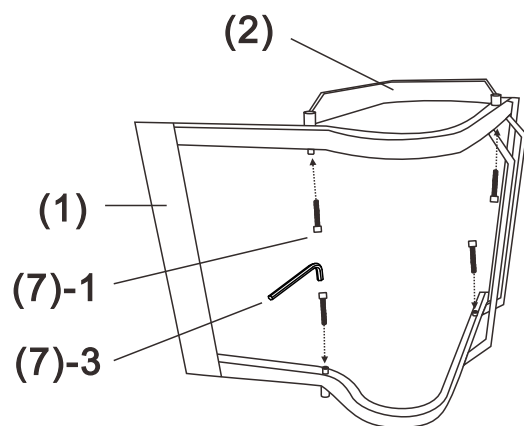
(1)	(2)	(3)	(4)												
 <p>X1</p>	 <p>X2</p>	 <p>X1</p>	 <p>X1</p>												
(5)		(6)	(7)												
 <p>X1</p>		 <p>X5</p>	<table border="0"> <tr> <td>1.</td> <td></td> <td>X4</td> <td>8*40mm</td> </tr> <tr> <td>2.</td> <td></td> <td>X4</td> <td>8*16mm</td> </tr> <tr> <td>3.</td> <td></td> <td>X1</td> <td></td> </tr> </table>	1.		X4	8*40mm	2.		X4	8*16mm	3.		X1	
1.		X4	8*40mm												
2.		X4	8*16mm												
3.		X1													

INSTRUCTION

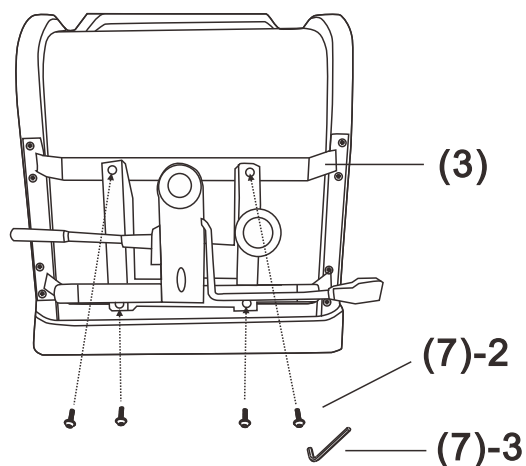
A



B



C



D

