






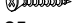





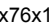


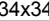



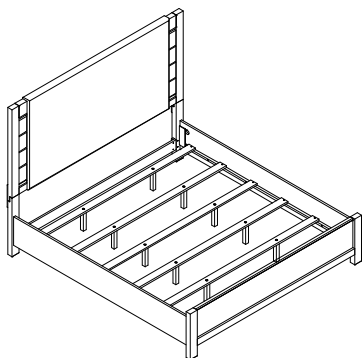
# NATE+ JEREMIAH

FOR LIVING SPACES

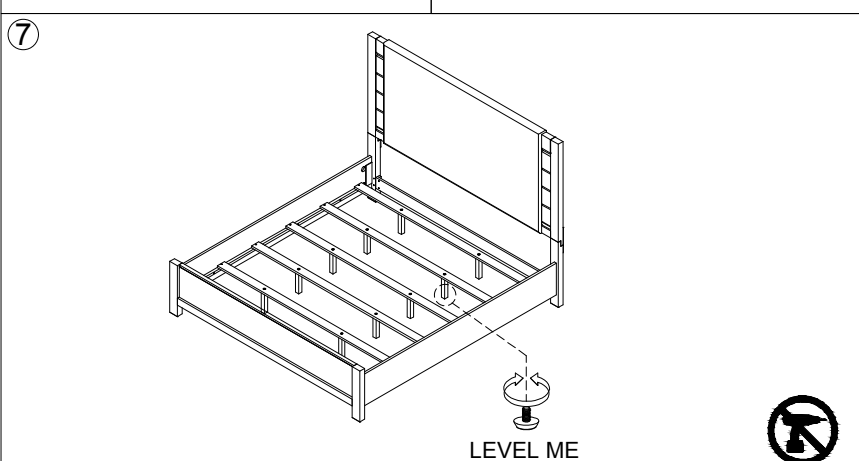
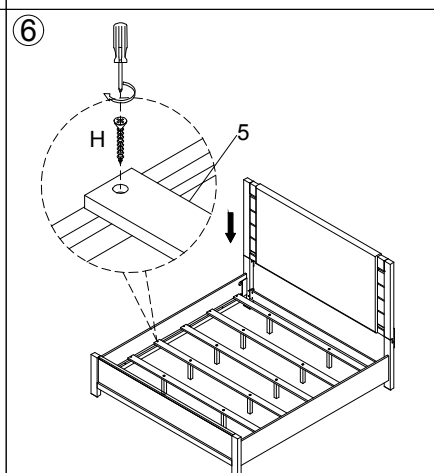
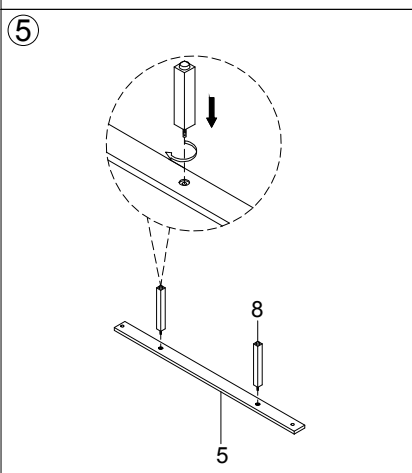
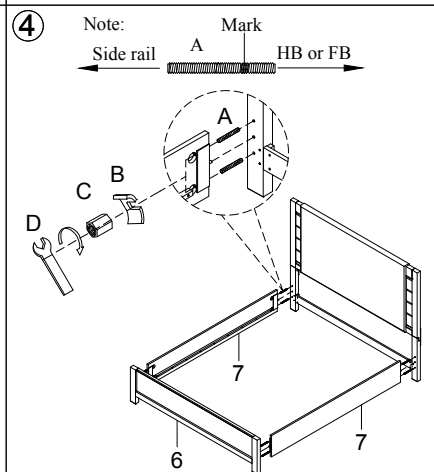
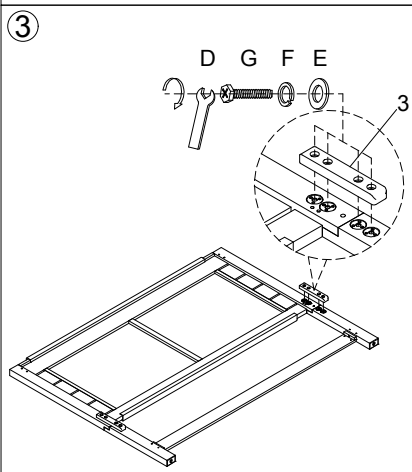
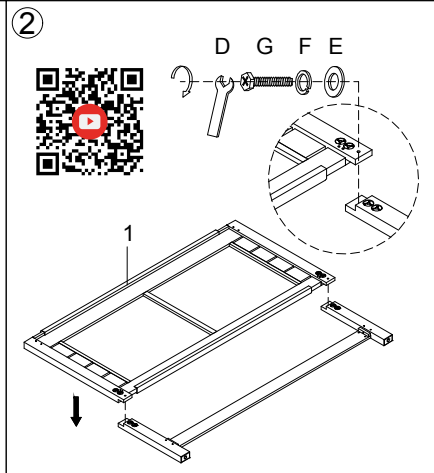
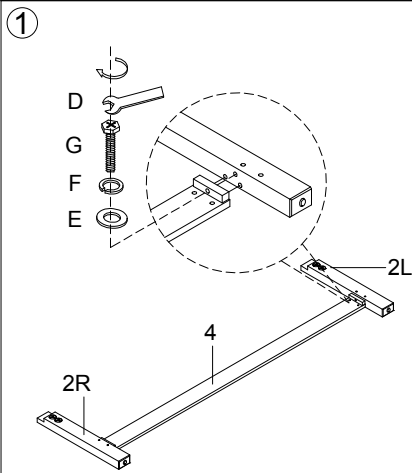
A	PB5614-65R-HD-A	 X8 Ø5/16"x4-1/2"L
B	PB5614-65R-HD-B	 X8 Ø5/16"x34x16x3mm
C	PB5614-65R-HD-C	 X8 Ø5/16"x17mm
D	PB5614-65H-HD-D	 X1 Wrench 12mm
E	PB5614-65H-HD-E	 X12 Ø5/16"x19x2mm
F	PB5614-65H-HD-F	 X12 Ø5/16"x12x2mm
G	PB5614-65H-HD-G	 X12 Ø5/16"x1-3/4"L
H	PB5614-65R-HD-H	 X10 #4x25mm
1	PB5614-65HB	 X1
2L	PB5614-65H-LL	 X1
2R	PB5614-65H-RL	 X1
3	PB5614-65H-MP	 X2
4	PB5614-65H-SR	 X1
5	P99-00KSL-LV	 x5 1964x76x18mm
6	PB5614-65FB	 X1
7	PB5614-65R	 X2
8	PB5614-65F-SS	 X10 196x34x34mm

**TOOLS REQUIRED (NOT PROVIDED):**  
**PHILLIPS SCREW DRIVER** 

VOYAGE



334808/B5614-65F NATURAL  
EK FOOTBOARD UPH PANEL BED BNJ  
334809/B5614-65H NATURAL  
EK HEADBOARD UPH PANEL BED BNJ  
334810/334811/B5614-65R NATURAL  
EK RAILS UHP PANEL BED BNJ



LEVEL ME



WARNING:  
USE ONLY THE HAND  
TOOLS PROVIDED