



# ASSEMBLY INSTRUCTIONS

## DRAPER CAL KING UPHOLSTERED HEADBOARD FOR STORAGE BED

LS SKU#336745 MODEL # DE-DRAP-BCK01-US-2DRW-UP-HB

LS SKU#336742 MODEL # DE-DRAP-BCK01-US-2DRW-FB/SL

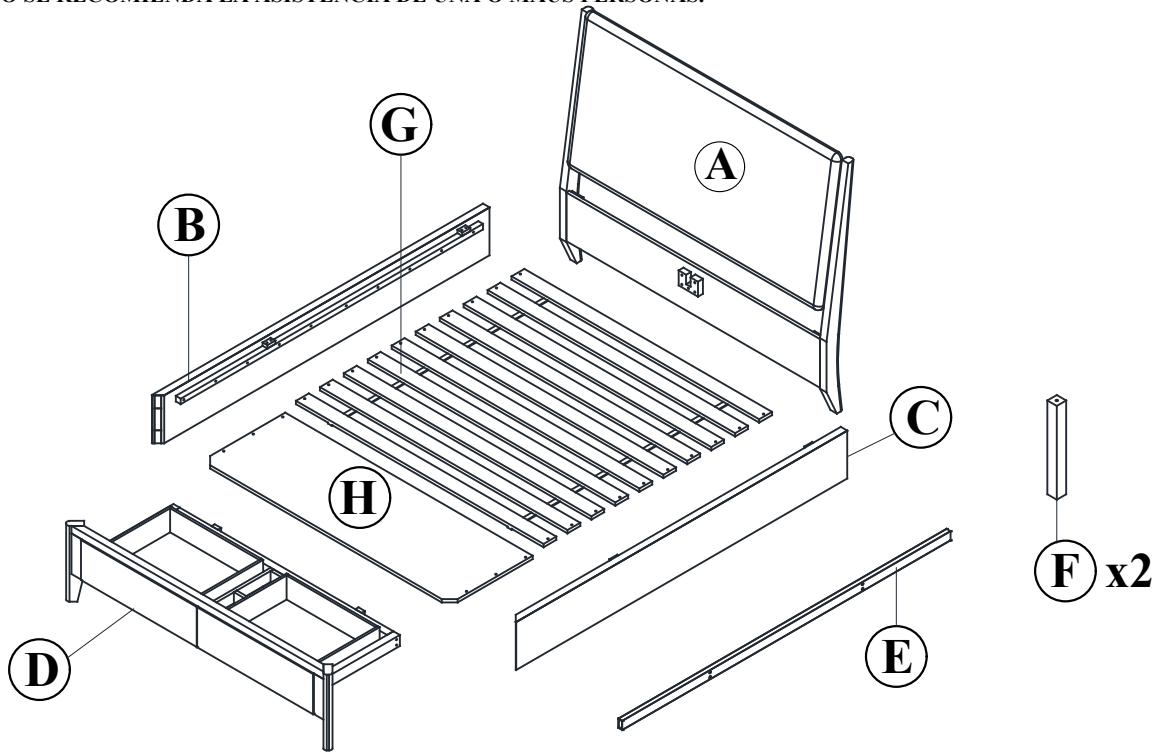
LS SKU#336744 MODEL # DE-DRAP-BCK01-US-2DRW-SR




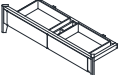







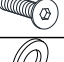




**CAUTION:** PLEASE READ ALL INSTRUCTIONS BEFORE STARTING THE ASSEMBLY OF THIS PRODUCT. THESE PIECES ARE HEAVY. IN ORDER TO PREVENT PERSONAL INJURIES AND ENSURE THAT THIS PRODUCT IS NOT DAMAGED DURING THE ASSEMBLY PROCESS, IT IS STRONGLY RECOMMENDED THAT YOU REQUIRE HELP FROM ONE OR MORE PEOPLE.

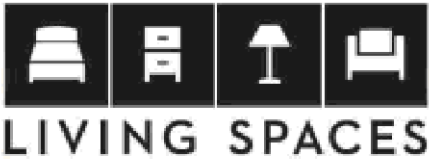
**ATTENTION:** VEUILLEZ LIRE TOUTES LES INSTRUCTIONS AVANT DE COMMENCER L'ASSEMBLAGE DE CE PRODUIT. LES DIFFÉRENTES PARTIES SONT LOURDES AFIN DE PARER TOUTE BLESSURE ET D'ÉVITER QUE LE PRODUIT NE SUBISSE DES DOMMAGES. IL EST FORTEMENT RECOMMANDÉ DE DEMANDER DE L'AIDE DE LA PART D'UNE OU PLUSIEURS PERSONNES DURANT L'ASSEMBLAGE.

**CUIDADO:** FAVOR DELEER TODAS LAS INSTRUCCIONES ANTES DE ENSAMBLAR SU PRODUCTO. ESTAS PIEZAS SON PESADAS. PARA PREVENIR HERIDAS PERSONALES Y ASEGURAR QUE SU PRODUCTO NO SEA DANADO MIENTRAS ES ENSAMBLADO SE RECOMIENDA LA ASISTENCIA DE UNA O MAUS PERSONAS.



LIST OF PARTS AND HARDWARE			
No.	Description	Q'ty	
A	 HEADBOARD	1	
B	 SIDE RAIL RIGHT	1	
C	 SIDE RAIL LEFT	1	
D	 FOOTBOARD	1	
E	 CENTER RAIL	1	
F	 SUPPORT LEG	2	
G	 SLAT	11	
H	 SLAT	1	

LIST OF PARTS AND HARDWARE				
No.	Description	Q'ty		
1	 Bolt	M6*10	12	
2	 Bolt	M6*40	2	
3	 Washer	8*18	2	
4	 Key	M5	1	
5	 Key	M4*100	1	
6	 Screw	M4*30	28	



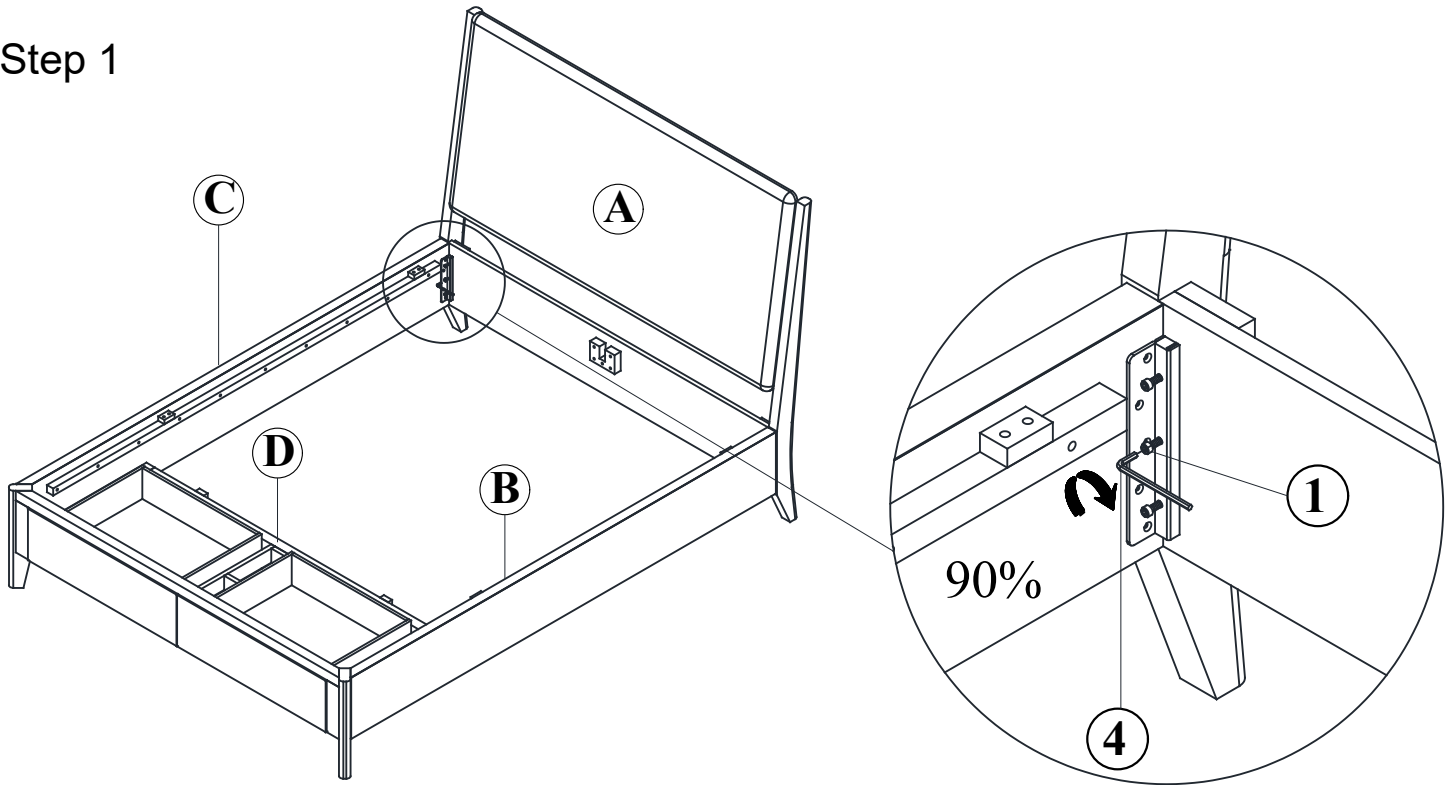
# ASSEMBLY INSTRUCTIONS

## DRAPER CAL KING UPHOLSTERED HEADBOARD FOR STORAGE BED

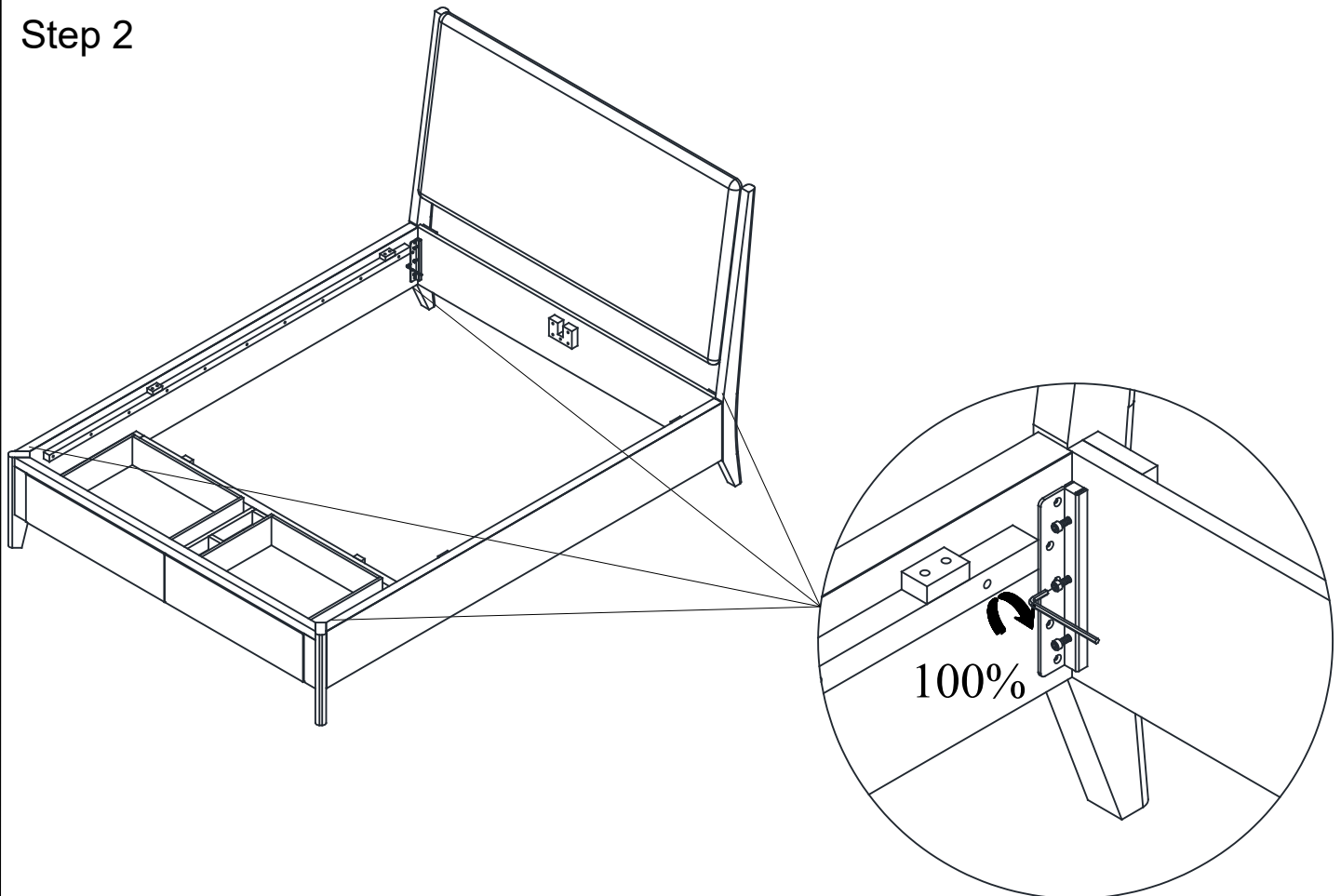
LS SKU#336745 MODEL # DE-DRAP-BCK01-US-2DRW-UP-HB  
LS SKU#336742 MODEL # DE-DRAP-BCK01-US-2DRW-FB/SL  
LS SKU#336744 MODEL # DE-DRAP-BCK01-US-2DRW-SR



### Step 1



### Step 2





LIVING SPACES

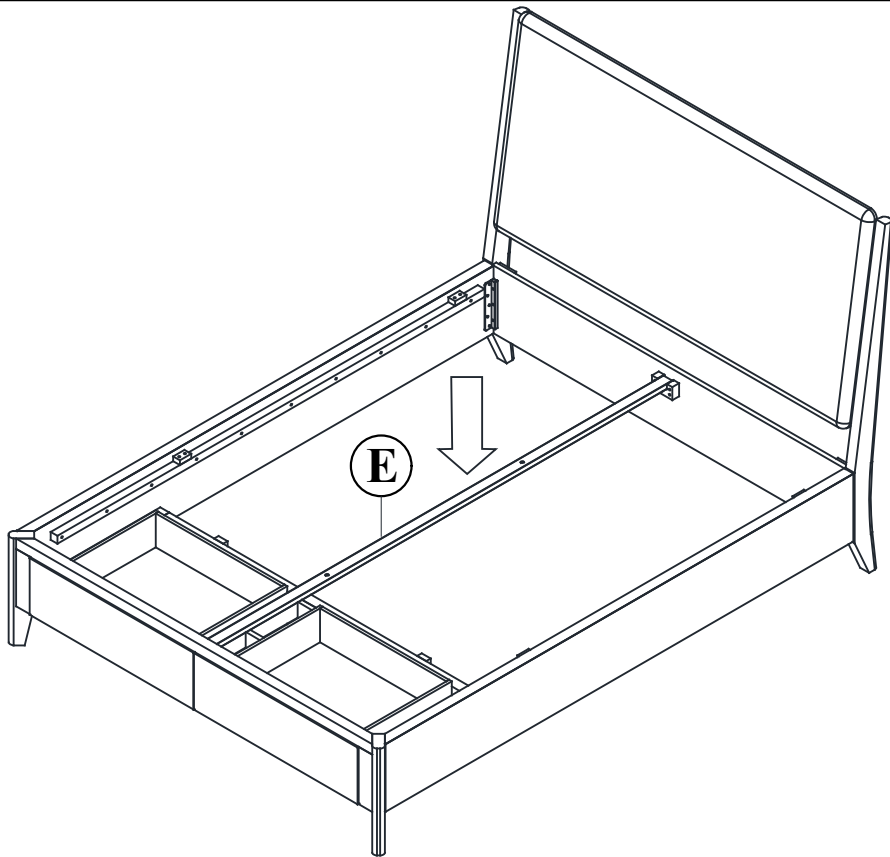
# ASSEMBLY INSTRUCTIONS

## DRAPER CAL KING UPHOLSTERED HEADBOARD FOR STORAGE BED

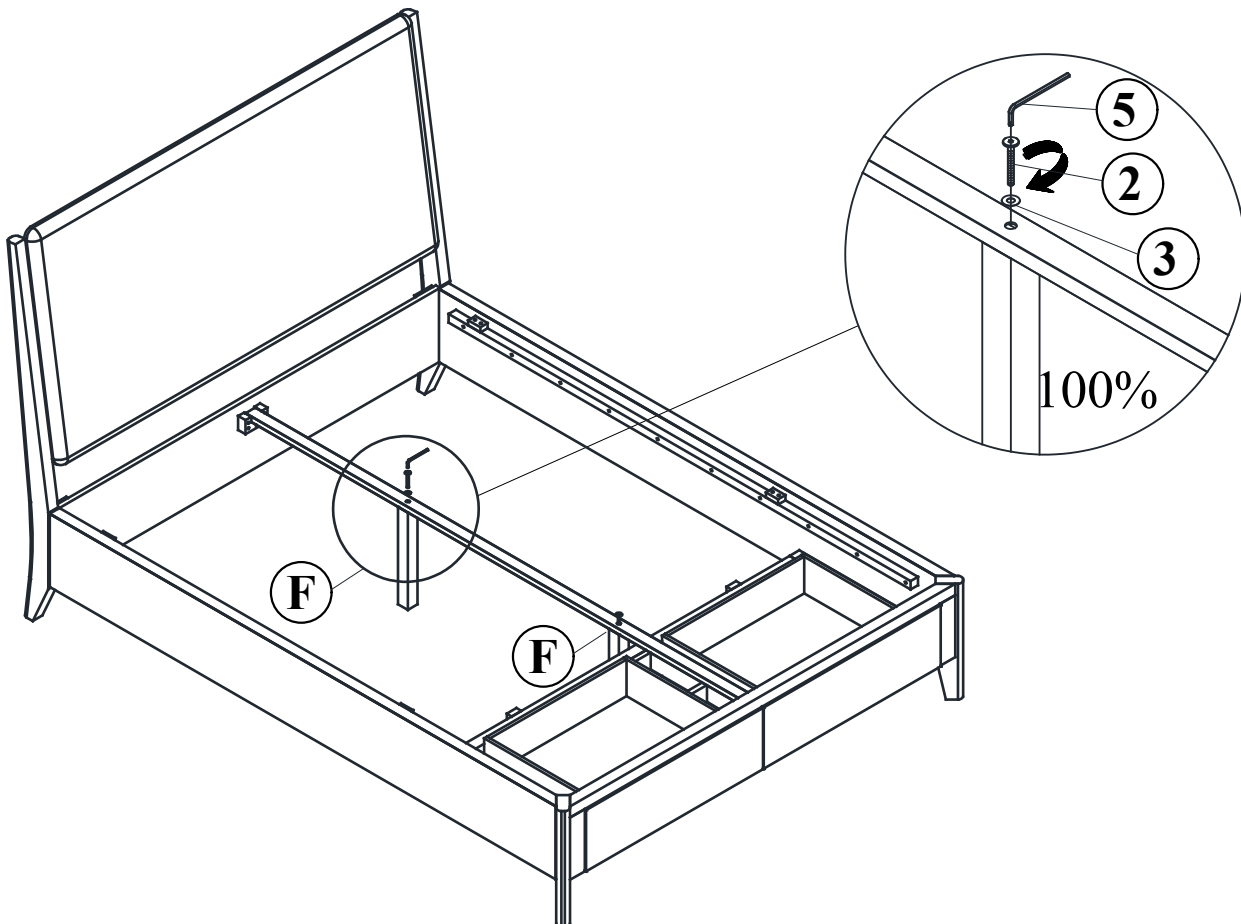
LS SKU#336745 MODEL # DE-DRAP-BCK01-US-2DRW-UP-HB  
LS SKU#336742 MODEL # DE-DRAP-BCK01-US-2DRW-FB/SL  
LS SKU#336744 MODEL # DE-DRAP-BCK01-US-2DRW-SR



### Step 3



### Step 4





LIVING SPACES

# ASSEMBLY INSTRUCTIONS

## DRAPER CAL KING UPHOLSTERED HEADBOARD FOR STORAGE BED

LS SKU#336745 MODEL # DE-DRAP-BCK01-US-2DRW-UP-HB

LS SKU#336742 MODEL # DE-DRAP-BCK01-US-2DRW-FB/SL

LS SKU#336744 MODEL # DE-DRAP-BCK01-US-2DRW-SR



### Step 5

