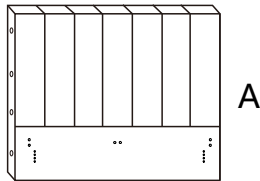


MONTY WALL BED QUEEN ASSEMBLY INSTRUCTIONS



BOX#1

A. HEADBOARD PANEL 1 PC

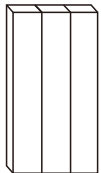


HARDWARE PACKED IN BOX#1

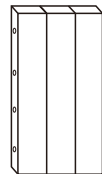
1	ALLEN BOLT(1/4"x1")		8 PCS
2	ALLEN BOLT(5/16"x2")		8 PCS
3	FLAT WASHER(5/16")		16 PCS
4	LOCK WASHER(5/16")		16 PCS
5	ALLEN KEY(5/16")		1 PC
6	ALLEN KEY(1/4")		1 PC

BOX#2

L. LEFT HEADBOARD WING 1 PC
R. RIGHT HEADBOARD WING 1 PC



L



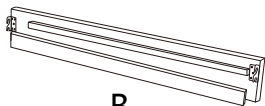
R

HARDWARE PACKED IN BOX#3

1	ALLEN BOLT(5/16"x1")		4 PCS
2	ALLEN BOLT(5/16"x2-1/2")		2 PCS
3	FLAT WASHER(5/16")		6 PCS
4	LOCK WASHER(5/16")		6 PCS
5	ALLEN KEY(5/16")		1 PC

BOX#3

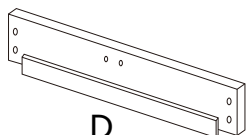
B. RIGHT SIDE RAIL 1 PC
C. LEFT SIDE RAIL 1 PC
D. FOOTBOARD 1 PC
E. SLAT 26 PCS
F. CENTER SLAT SUPPORT 1 PC
G. SIDE RAIL SLAT CLIP 26 PCS
H. CENTER SUPPORT SLAT CLIP 13 PCS
I. SLAT SUPPORT LEG 2 PCS
HARDWARE SET



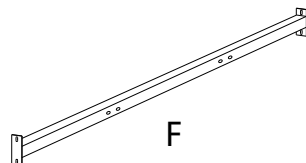
B



C



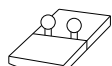
D



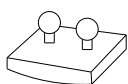
F



E



H

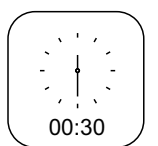
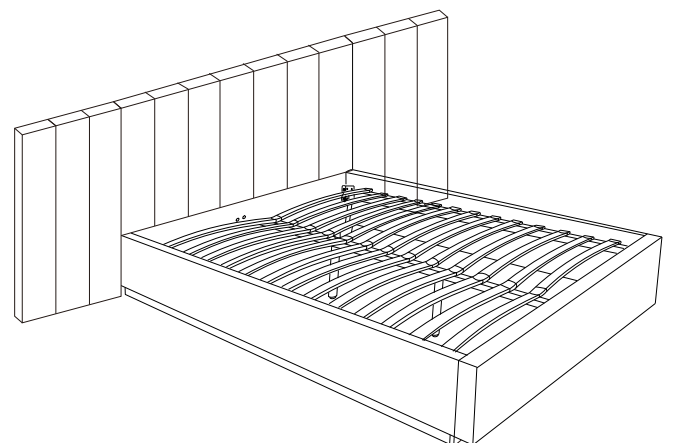


G



I

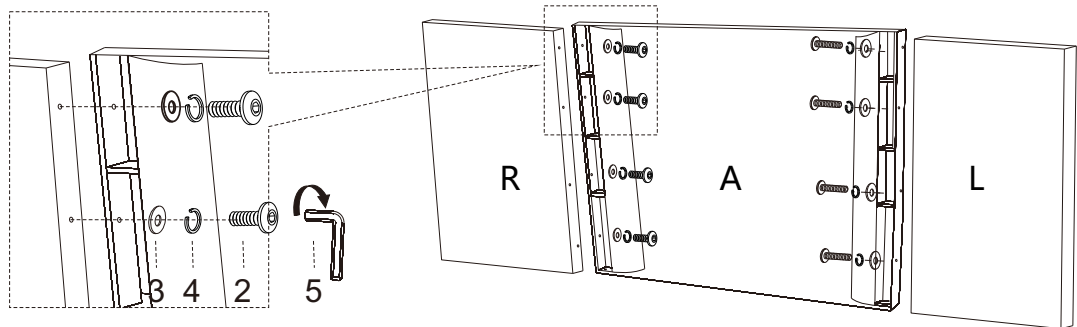
MONTY WALL BED ASSEMBLED



MONTY WALL BED QUEEN ASSEMBLY INSTRUCTIONS

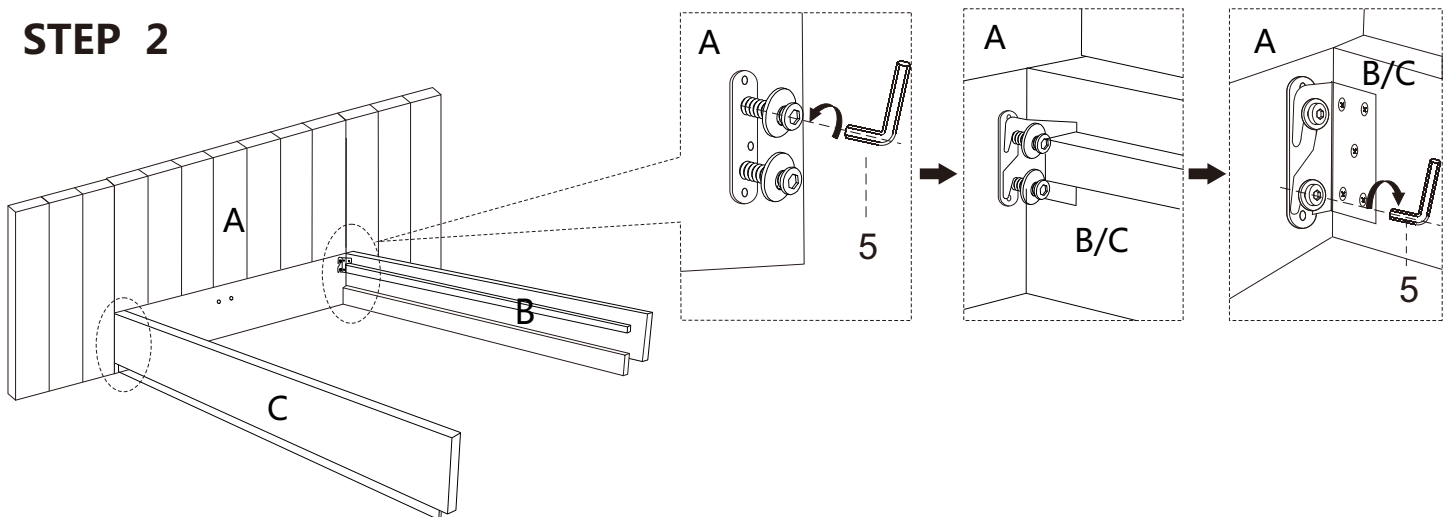


STEP 1

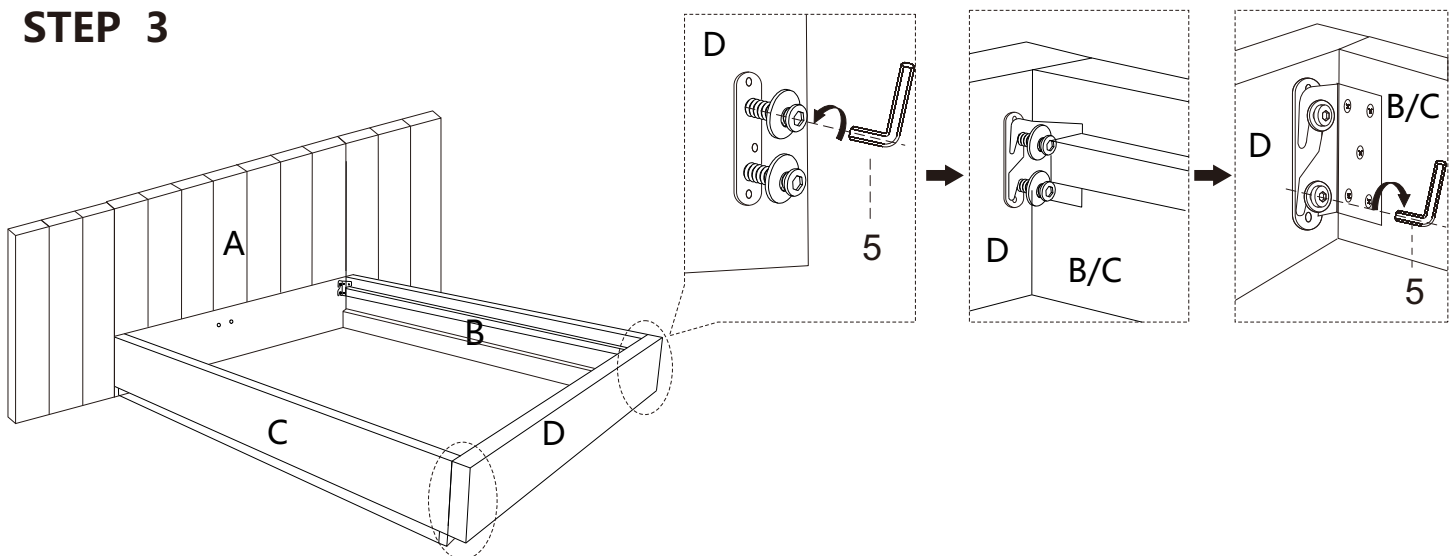


NOTE: USE HARDWARE PACKED IN BOX #1 FOR STEP 1.

STEP 2



STEP 3



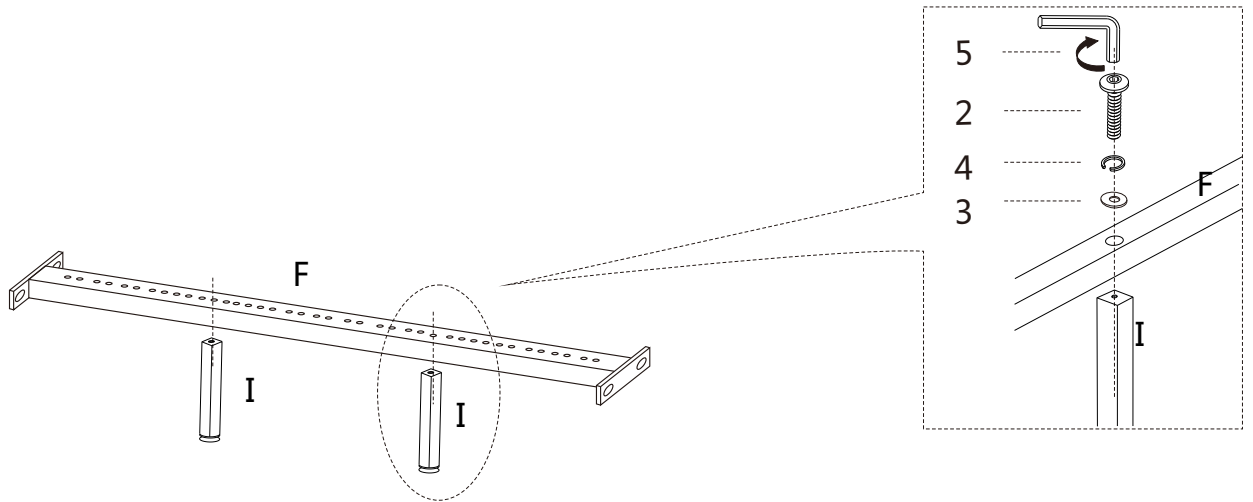
STOP

- IF USING BED WITH AN ADJUSTABLE MATTRESS BASE, SKIP STEPS 4, 5, 6 & 7 AND REFERENCE APPENDIX A: ADJUSTABLE MATTRESS BASE ASSEMBLY SUPPLEMENT.
- IF USING BED FRAME WITH STANDARD BOX SPRING OR FOUNDATION, CONTINUE TO STEP 4.

MONTY WALL BED QUEEN ASSEMBLY INSTRUCTIONS

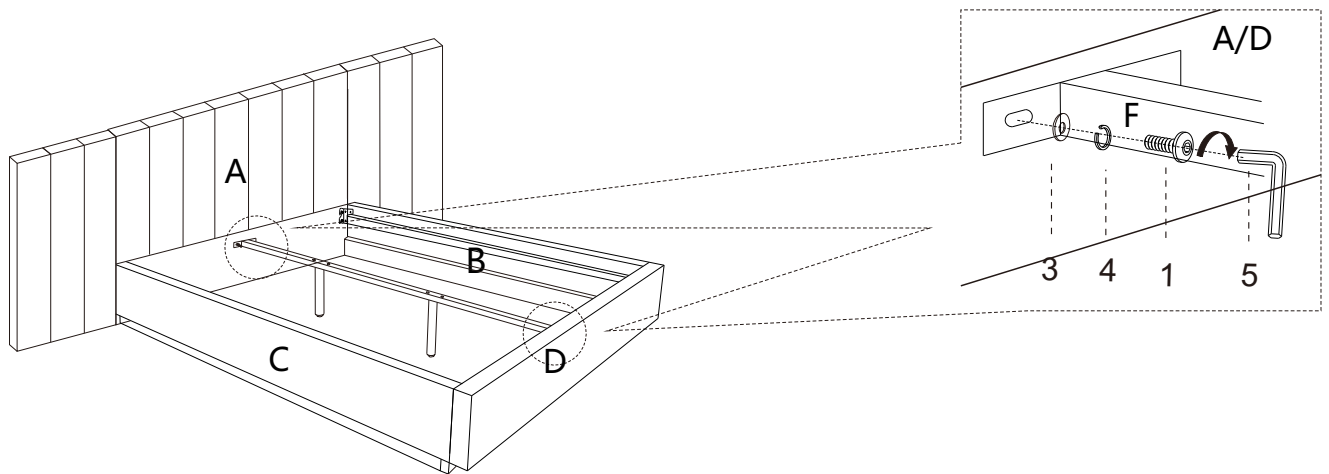


STEP 4

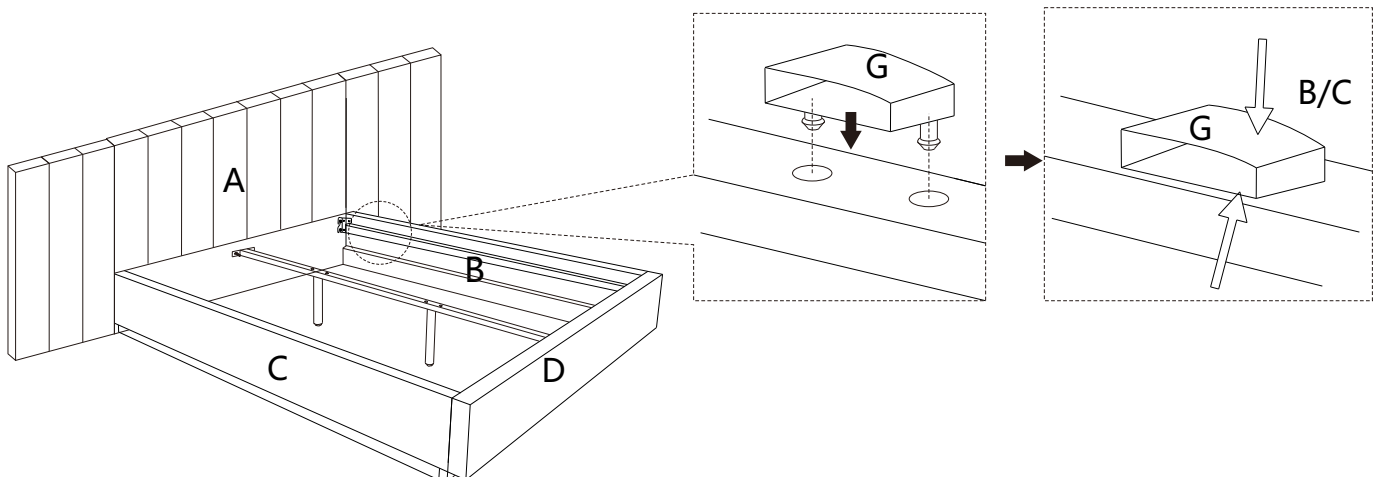


NOTE: USE HARDWARE PACKED IN BOX #3 FOR STEPS 4 & 5.

STEP 5



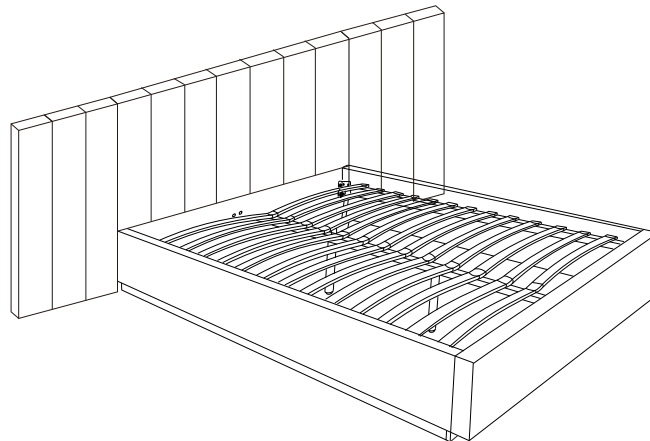
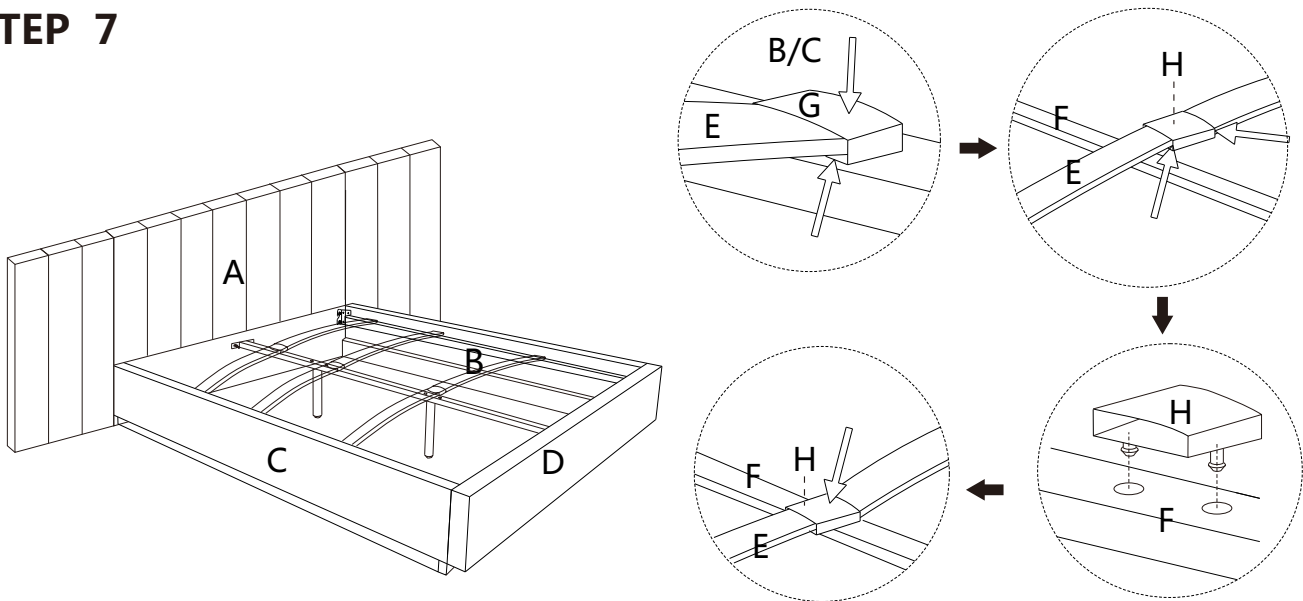
STEP 6: STARTING FROM HEADBOARD



MONTY WALL BED QUEEN ASSEMBLY INSTRUCTIONS



STEP 7



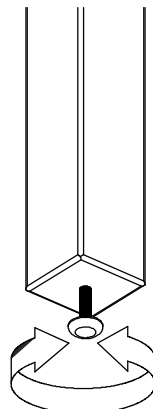
ASSEMBLY COMPLETE.

INSTRUCTIONS FOR ADJUSTING LEVELERS:

POSITION THE BED IN YOUR ROOM.
LOCATE LEVELERS UNDER EACH
SUPPORT LEG (I).

TURN COUNTER-CLOCKWISE TO
EXTEND, CLOCKWISE TO RETRACT.

ADJUST LEVELERS UNTIL EACH LEG
SUPPORT IS APPLYING EQUAL UPWARD
PRESSURE ON THE CENTER SLAT.



MAINTENANCE INSTRUCTIONS:

- REMOVE BOX SPRING AND MATTRESS BEFORE MOVING YOUR BED.
- LIFT YOUR BED WHEN MOVING IT. DRAGGING CAN DAMAGE CENTER SUPPORT.
- READJUST LEVELERS AFTER MOVING YOUR BED.

MONTY WALL BED QUEEN ASSEMBLY INSTRUCTIONS



APPENDIX A:ADJUSTABLE MATTRESS BASE ASSEMBLY SUPPLEMENT

AN ADJUSTABLE MATTRESS BASE IS A FREESTANDING MATTRESS SUPPORT THAT SITS WITHIN THE PERIMETER OF THE BED FRAME.

IF USING THIS BED FRAME WITH A STANDARD BOX SPRING OR FOUNDATION THESE INSTRUCTIONS DO NOT APPLY.

PRE-ASSEMBLED SIDE RAIL CLEATS OBSTRUCT ADJUSTABLE BASE INSTALLATION AND OPERATION. FOLLOW THESE INSTRUCTIONS TO REMOVE THEM.



WARNING!

SIDE RAIL CLEATS ARE HELD IN PLACE USING PHILLIPS HEAD SCREWS. ONCE THEY ARE REMOVED THE USER WILL NOT BE ABLE TO SAFELY RE-INSTALL THE SIDE RAIL CLEATS FOR FUTURE USE WITH A STANDARD BOX SPRING OR FOUNDATION.

THE FOLLOWING PARTS ARE NOT REQUIRED FOR ADJUSTABLE MATTRESS BASE INSTALLATION:

E. SLAT	26 PCS
F. CENTER SLAT SUPPORT	1 PC
G. SIDE RAIL SLAT CLIP	26 PCS
H. CENTER SUPPORT SLAT CLIP	13 PCS
I. SLAT SUPPORT LEG	2 PCS

STEP 1 :

USE A PHILLIPS HEAD SCREWDRIVER (NOT PROVIDED) TO UNSCREW THE PHILLIPS SCREWS AND REMOVE THE PRE-ASSEMBLED SIDE RAIL CLEATS.

