







# Assembly Instruction for COUNTER SIDE CHAIR DMI100CSC

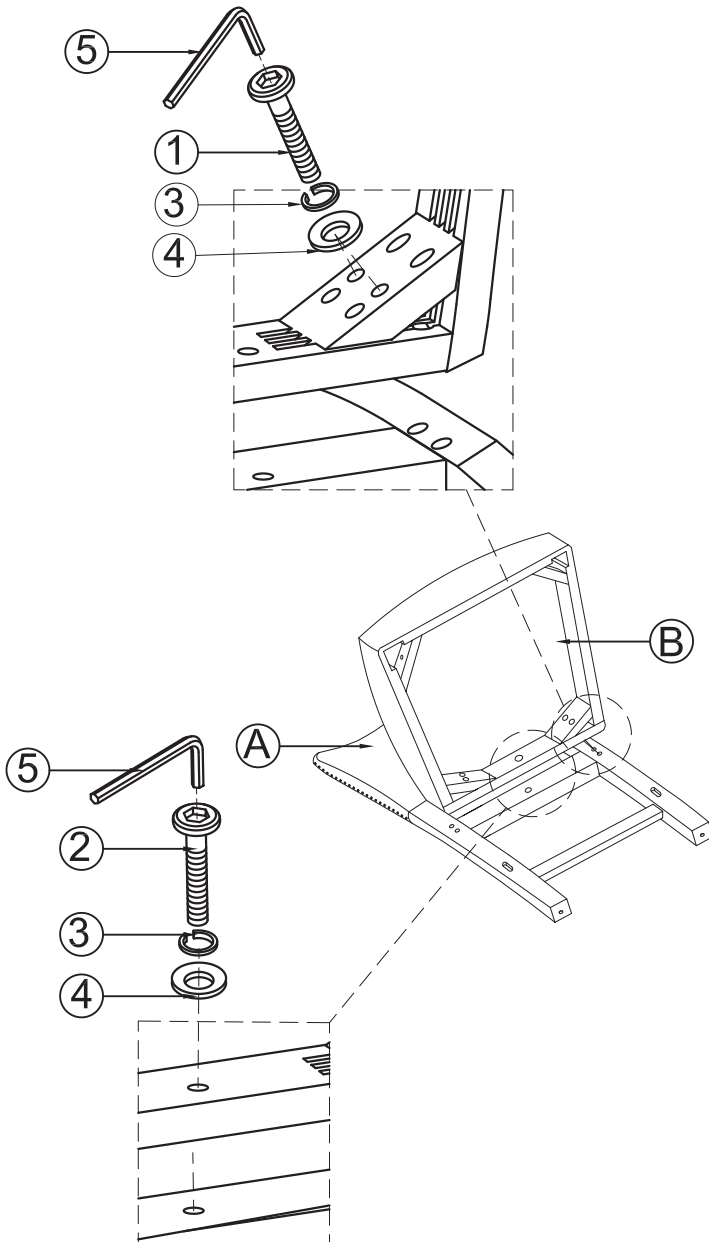
Caution: Please read instructions thoroughly before unpacking assembly parts. Sharp, exposed staple tips can cause injury, therefore, for your protection, please remove any exposed staples used in packing.

1. We recommend that you should assemble this product with the assistance of another person; this will make assembly easier, and will help to eliminate damage the product or injury to persons during assembly.
2. Be sure to check all packing materials carefully for small parts that may have come loose inside the carton during shipment.
3. Please do not over tighten screws or bolts.
4. Please put all parts on a non-abrasive floor before assembly, and follow the assembly steps to assemble your newly purchased product correctly and efficiently.

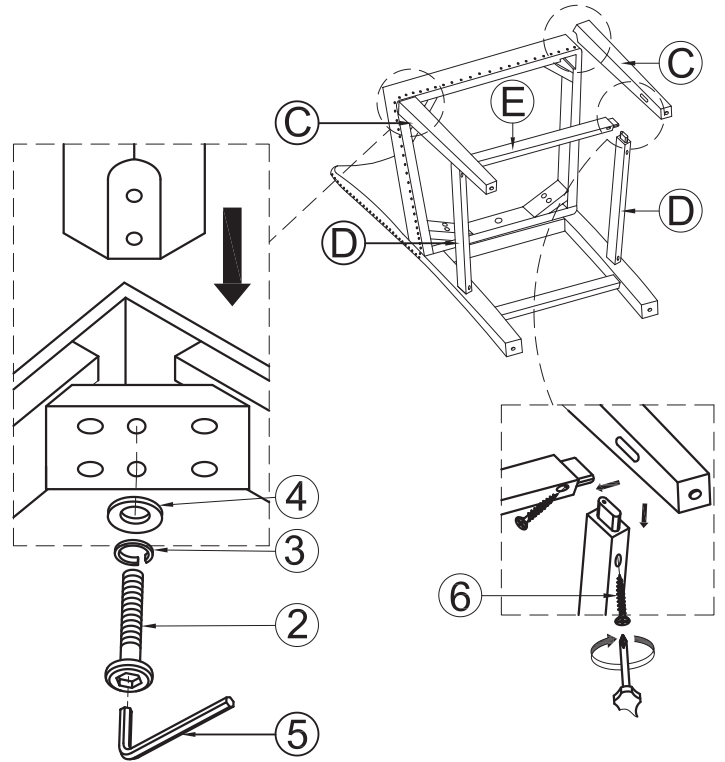
| PART LIST |  |               |      |
|-----------|--|---------------|------|
| NO.       | PART DESC  | CODE          | Q'TY |
| A         | COUNTER SIDE CHAIR - BLACK PU UPHOLSTERED BACK FRAME | PDM100CSCBFR  | 1    |
| B         | COUNTER SIDE CHAIR - FULL SEAT CUSHION               | PDM100CSCSEA  | 1    |
| C         | COUNTER SIDE CHAIR - LEFT / RIGHT FRONT LEG          | PDM100CSCLEG  | 2    |
| D         | COUNTER SIDE CHAIR - LEFT / RIGHT SIDE STRECHER      | PDM100CSCSTR1 | 2    |
| E         | COUNTER SIDE CHAIR - FRONT STRECHER                  | PDM100CSCSTR2 | 1    |

| HARDWARE LIST |  |              |      |
|---------------|--|--------------|------|
| NO.           | HARDWARE DESC  | CODE         | Q'TY |
| 1             |  BOLT Ø5/16"x80mm   | PDM100CSCSHW | 4    |
| 2             |  BOLT Ø5/16"x55mm   |              | 5    |
| 3             |  LOCK WASHER Ø5/16" |              | 9    |
| 4             |  FLAT WASHER Ø5/16" |              | 9    |
| 5             |  ALLEN KEY M5       |              | 1    |
| 6             |  SCREW M8x45mm      |              | 6    |

## STEP 1



## STEP 2



## COMPLETED

